



ELEVATION™ RAIL

CABLE RAIL INSTALLATION FOR 42" HIGH RAILING

Installation Instructions

English.....	1
Français.....	13
Español.....	25



Read all instructions prior to installing product.
Refer to manufacturers safety instructions when operating any tools.

To register your product, please visit: **rdirail.com**

▲ WARNING:

- Improper installation of this product can result in personal injury. Always wear safety goggles when cutting, drilling and assembling the product.
- Incorrect installation may cause harm to the product or individual.
- Refer to local building codes for installation requirements; failure to install this product in accordance with building codes may affect safety of the product and void product warranty

NOTICE:

- DO NOT attempt to assemble the kit if parts are missing or damaged.
- DO NOT return the product to the store. For assistance or replacement parts call: 1-877-265-2220.

FASTENERS NEEDED:

Depending on Installation Method
(Sold Separately)

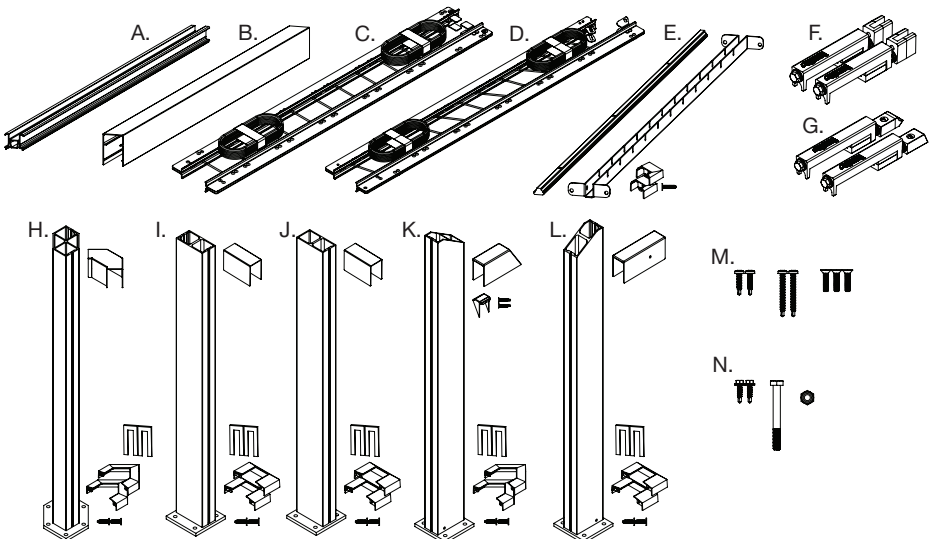
$\frac{3}{8}$ " Diameter galvanized bolts with nuts and fender washers (for Deck/Wood)
$\frac{3}{8}$ " Masonry Anchors (for Concrete)
#10x $3\frac{1}{2}$ " Deck Screws (For Deck/Wood)

Components:

QTY.	Description
1	Top Beam – (A)
1	Top Rail – (B)
1	Level Cable Guide – (C)
1	Stair Cable Guide – (D)
1	Center Support Cover, Center Support, Trim Ring – (E)
2	Level Tensioners – (F)
2	Stair Tensioners [A & B] – (G)
1	Level Corner Post, Cap, Trim Ring, Shims – (H)
1	Level Line Post, Cap, Trim Ring, Shims – (I)
1	Level End Post, Cap, Trim Ring, Shims – (J)
1	Stair End Post, Cap, Cap Adapter, Trim Ring, Shims – (K)
1	Stair Line Post, Cap, Trim Ring, Shims – (L)
1	Level Kit Screw Pack – (M)
1	Stair Kit Screw Pack – (N)

TOOLS/MATERIALS NEEDED:

Tape Measure
Level
Drill
Safety Glasses
Masonry Drill Bit
Phillips Screwdriver
Chalk Line
$\frac{7}{16}$ " and $\frac{1}{8}$ " Drill Bits
Pencil
$\frac{9}{16}$ " Socket for Drill
Felco Type Cable Cutter
Ruler
Rubber Mallet
Clamps
Hacksaw or Chopsaw

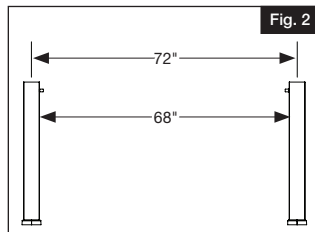
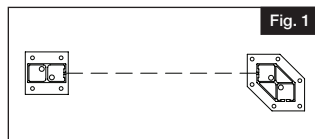


To obtain and review a copy of the warranty please visit: rdrail.com.
You may also contact us at 1-877-265-2220 or email help@rdrail.com.

- 1.** Determine the desired post placement. Make sure to line up all the posts from the center (Fig. 1). Maximum span of a level section is 68" between posts (72" on center). (Fig. 2)

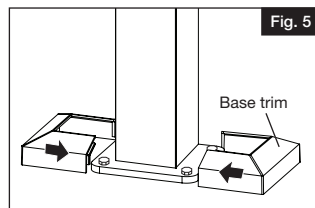
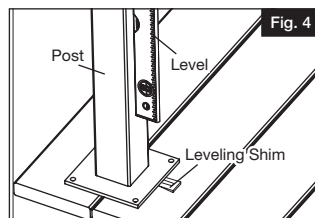
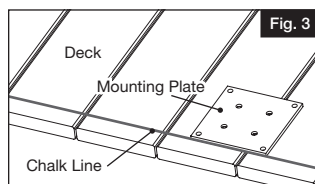
NOTE:

The offset of a corner post is slightly different than a mid or end post (approximately 1/4").



2. Post mounting

- Posts are designed and manufactured to accept 3/8" fasteners (sold separately). Be sure to use appropriate fasteners for your installation.
- Determine the desired rail placement and snap a chalk line onto the mounting surface to ensure that all posts are aligned properly (Fig. 3).
- Plumb and level the posts using leveling shims (included) (Fig. 4), secure the posts in place with appropriate fasteners (sold separately) and install base trims on each post (Fig. 5).
- Determine the appropriate method for installing your posts below.

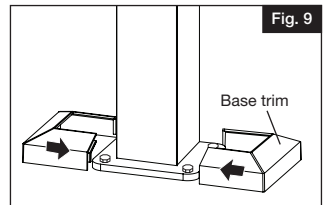
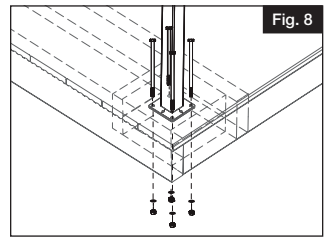
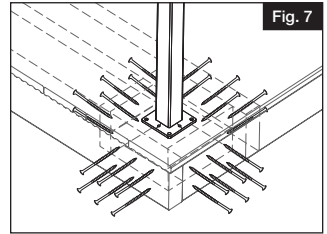
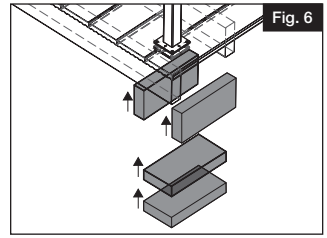


Concrete Surface Installations:

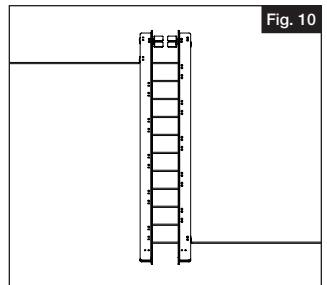
- Purchase four 3/8" masonry anchors according to local building codes
- Mark holes through mounting plate onto concrete surface and follow masonry anchor manufacturer installation instructions.
- Install base trim sections around post. Take one side of base trim and push plastic plugs through the hole underneath. Take second half of base trim and push together (Fig. 5).

Deck/Wood Surface Installations:

- a. For decking applications, use the provided secondary mounting plate when securing posts in place.
- b. Beneath all post locations install at least two 2"x8" blocks using at least three #10x3½" deck screws penetrating through the joists at least 1½" into the blocks (sold separately) (Fig. 6 & 7).
- c. Mark holes through the bottom plate of steel post onto deck surface. Remove steel post and drill 7/16" holes in all four marks through deck board and blocking.
- d. Purchase 3/8" diameter hot dipped galvanized or stainless steel bolts, nuts and fender washers. Bolts need to be approximately 1" longer than the distance between steel mounting plate and bottom of blocking.
- e. Push bolts through post plate. (Fig. 8). Posts can be leveled as needed by using shims.
- f. Tighten bolts, install base trim sections around post. Take one side of base trim and push plastic plugs through the hole underneath. Take second half of base trim and push together (Fig. 9).



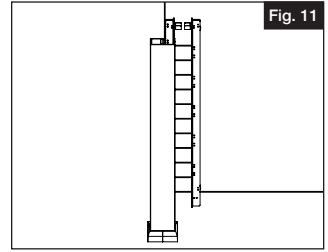
- 3.** Remove level cable guide assembly from packaging. Lay assembly on the ground near the posts it will be inserted in. Unspool each loop of cable fully so they are free of kinks. Allow the cables to lay flat and straight on the ground. (Fig. 10)



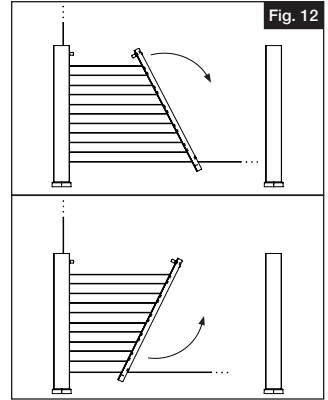
- 4.** Slide cable guide A assembly into the post. The bracket will be at the top and the bottom of the guide should bottom out on the post base. The cable will slide down the post through the open slot in the side of the post. Make sure the excess cable exits out of the top of the post (Fig. 11).

NOTE:

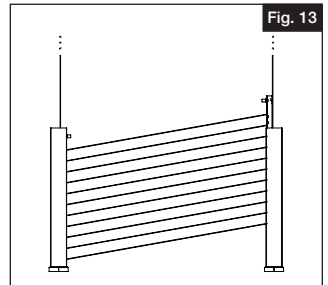
Ensure cables do not cross or tangle as the guide is inserted into the post. If they do this is easily corrected before initial tensioning.



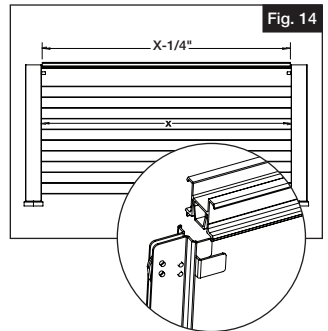
- 5.** Holding cable guide B use a back and forth motion to stretch the cable and work guide B towards your adjacent post. Ensure an equal amount of excess cable remains on both guides (Fig. 12). Be careful not to pull all the slack into one guide. If needed you can redistribute the slack by loosening cables in the middle of the section and pulling excess in the direction needed.



- 6.** Slide cable guide B into the channel of the second post ensuring that the excess cable feeds up and out of the top of the post (Fig. 13). Ensure that both sides of the cable panel are sitting all the way to the bottom of the post.



- 7.** Measure the distance between your posts. Subtract $\frac{1}{4}$ " and cut top beam to that length. Place the beam onto the brackets. The larger channel of the beam will face up and the 2 grooves on the bottom will nest with the cable guide bracket (Fig. 14).

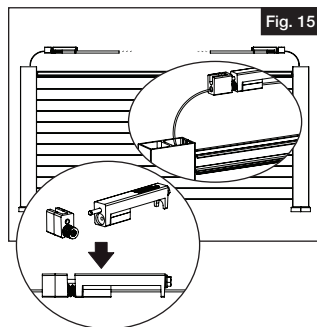


8.

- a. The locking mechanism should be at its starting point, closest to the spring. Proper starting point can be seen in Fig 15. The bolt can be turned counterclockwise to get it to the correct starting point if needed.
- b. Feed the excess cable from each post into the locker mechanisms (Fig. 15). Make sure the cable is rounding the last turn of the guide by looking down the post (Fig. 16). Place locker mechanism into the channel of the top beam as close to the post as possible.

NOTE:

If snap ring is not present and tensioner is separated into 3 pieces. Simply line the pieces back up as shown and thread cable as instructed. Initial tensioning will secure the tensioner.



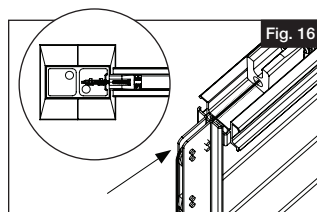
9.

- Pre-tension cable on guide A and B by pulling as much slack through the locker by hand (Fig. 17). Make sure the cable is rounding the last turn of the guide by looking down the post (Fig. 16).

NOTE:

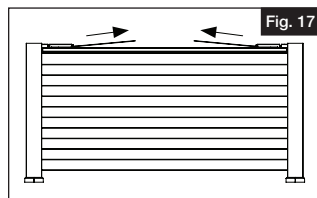
THIS STEP IS CRUCIAL TO ATTAIN PROPER FINISHED TENSION. PULL HARD.

Wearing a glove may help while pre-tensioning. Ensure that the cable is centered in the cable guide while pulling tight (Fig. 16).



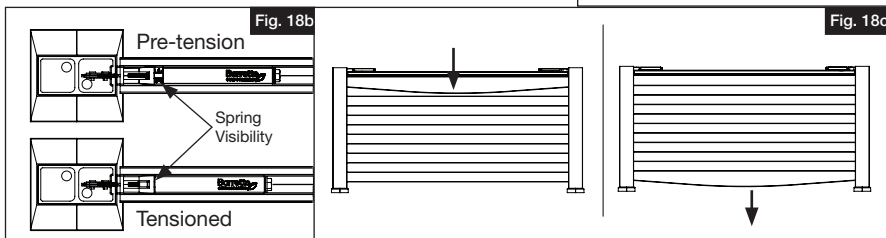
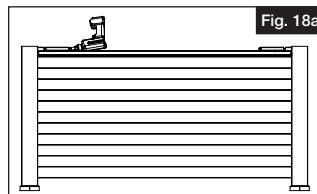
10.

- Use an impact driver or power drill to tighten the tensioners. Use a $\frac{9}{16}$ " socket to tighten the bolt at the end of the locker (Fig. 18a). Do this for both lockers at each post until spring is no longer visible (Fig. 18b) (Initial tensioning complete). Complete this step for all sections.



11.

- Final tensioning. Push down on top row of cable firmly. The spring near cable guide A should be visible once again. Using your drill and $\frac{9}{16}$ " socket, tension the bolt until spring is no longer visible (Fig 18c). Complete same procedure for cable guide B, but instead, push on bottom row of cable to loosen spring.

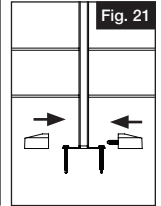
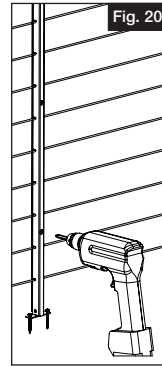
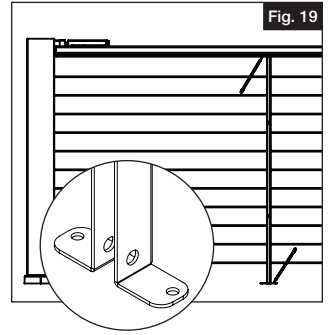


12. Cut excess cable leaving approximately 12" remaining from each guide. This excess will remain in the top beam channel.

13. Mid support baluster. Locate the center of your section. Place mid support in center of the span. Mark 2 top and 2 bottom holes. The bottom of the mid support can be identified by a hole near its base (Fig. 19). Remove support and predrill with a 1/8" drill bit. Return support to center of span and attach with included screws. Align the mid support cover with mid support and secure with flat head screws (Fig. 20). The 3/4" screws attach into the top beam and the 1 1/2" screws attach to the deck surface. The holes on the outside of the support will line up with the covers to join them. Use attachment plug to insert in one half of mid support trim ring. Place both halves at bottom of support and push together (Fig. 21).

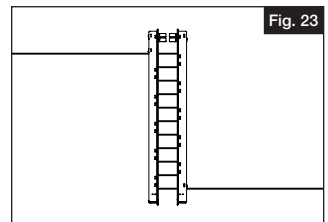
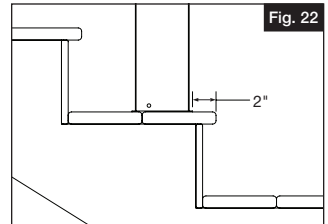
14. Take the measurement from Step 7 and subtract 1/4" (X-1/4"). Cut the top rail to that measurement. Place the cut rail over the beam and snap into place using a rubber mallet if needed.

15. Place appropriate end, line, or corner post cap onto the top of each post and press or tap into place with a rubber mallet if needed.



Installation for Stairs

- 1.**
- Determine post placement. There can be a maximum of 5 risers between posts. Posts base plates should be set back 2" from the nose of the stairs (Fig. 22). Mount posts per post instructions from level section.
 - Remove stair cable guide assembly from packaging. Lay assembly on the ground near the posts it will be inserted in. Unspool each loop of cable fully so they are free of kinks. Allow the cables to lay flat and straight on the ground (Fig. 23).

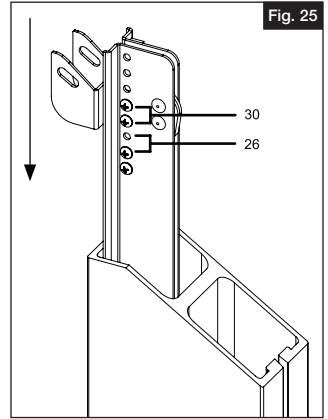
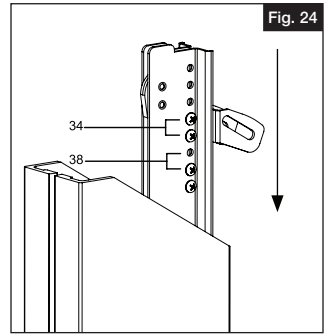


2.

Planning For a Mid-Stair Post:

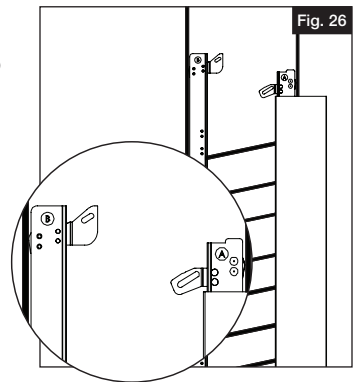
If your stairs will have a middle post, adjustments can be made to the bracket height to better accommodate angles. If no mid post is present **NO** adjustment is needed and you can skip to Step 3.

- a. If your stair angle is 31-33 degrees **NO** adjustment to the brackets are needed
- b. If your stair angle is 34-38 the cable guide A bracket on the lower side of the mid post will want to be lowered. See (Fig. 24) for positioning. Remove the 2 screws holding the bracket in place. Adjust to proper position, re-insert the screws and tighten with a screwdriver to avoid over-tightening.
- c. If your stair angle is 26-30 degrees the cable guide B bracket on the upper side of the mid post will need to be lowered. See (Fig. 25) for positioning. Remove the 2 screws holding the bracket in place. Adjust to proper position, re-insert the screws and tighten with a screwdriver to avoid over-tightening



3.

Identify stair cable guide A. This guide will be inserted first in the upper (top) stair post. Slide cable guide A assembly into the post. The bracket should be at the top and the bottom of the guide should bottom out on the post base. The cable will slide down the post through the open slot in the side of the post. Make sure the excess cable exits out of the top of the post (Fig. 26).



4.

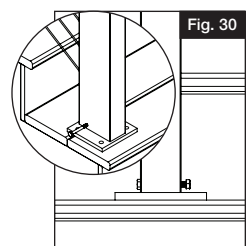
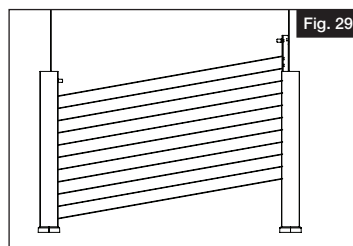
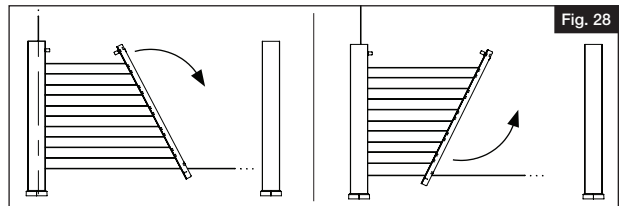
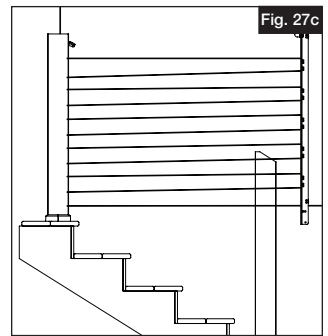
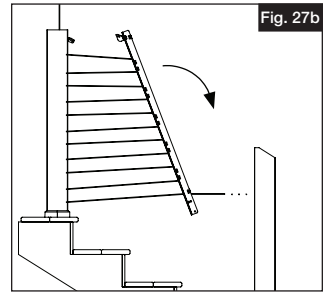
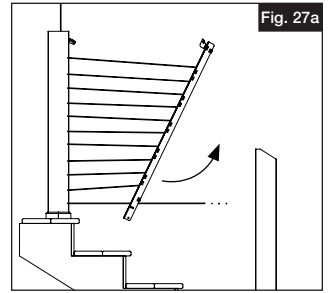
- a. Holding cable guide B use a back and forth motion to stretch the cable and work guide B towards your lower post. Do this until the guide is past the lower post (Fig. 27).

NOTE:

Guide B has a hole near the bottom. This is used in the next step.

Ensure an equal amount of excess cable remains on both guides (Fig. 28). Be careful not to pull all the slack into one guide. If needed you can redistribute the slack by loosening cables in the middle of the section and pulling excess in the direction needed.

- b. Insert cable guide B into the channel of the second post ensuring that the excess cable feeds up and out of the top of the post (Fig. 29). Ensure guide B is at the bottom of the post and insert bolt through predrilled hole in the lower stair post. Thread and tighten nut (Fig. 30).



- 5.** a. Clamp top beam on the side of the stair posts aligning it with the brackets. Mark the beam at the posts (Fig. 31). Cut the top beam on that mark and on that angle.

NOTE:

Top of the beam has the larger open channel. Be sure the beam is oriented the correct way before you clamp, mark and cut.

- b. Place beam between posts and press onto brackets. Use provided hex head screws and attach one screw at the end of the beam at each post (one at upper post and one at lower post). Use the line etched into the beam as a guide for your screw. Screw should be on the line and approximately $\frac{1}{2}$ " from the end of the beam (Fig. 32).

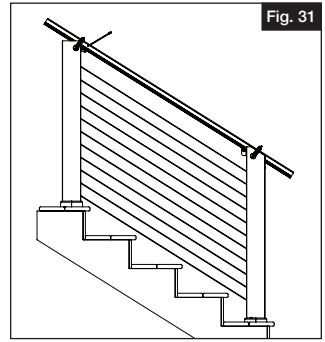


Fig. 31

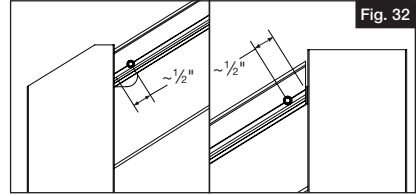


Fig. 32

- 6.** a. Feed cable through tension spring B and tensioner. Place tension spring B and tensioner into top beam at lower post (Fig. 33).

NOTE:

These are separate pieces. Feed cable through the block and spring first, then tensioner.

- b. Make sure the cable is rounding the last turn of the guide by looking down the post (Fig. 34). Pull all slack through the tensioner. Also ensure the tension spring stays in place in the beam at the post before pulling tight.
- c. Locate tension spring A and repeat step 5 at top of stairs.

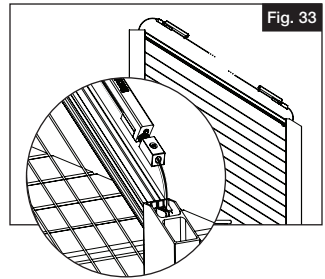


Fig. 33

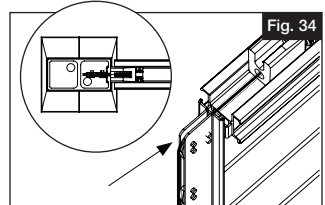


Fig. 34

7. Mid support baluster.

- a. Identify desired placement of the center support on stair tread. Measure up from that spot to the underside of the top beam (Fig. 35).
- b. The top of the mid support can be identified by the arrow stamped in the part. Measure down from the top of the support the distance measured in step a. Subtract $\frac{1}{8}$ " and make a mark. Temporarily attach the support cover to the support and cut both pieces on that mark. Remove the cover and place the support in the center of the span ensuring the cables line up with the pre routed holes. Attach the support cover with 3 flat head screws.

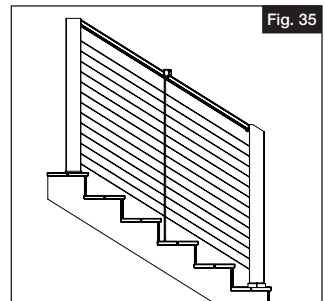
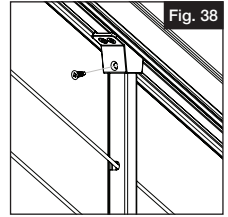
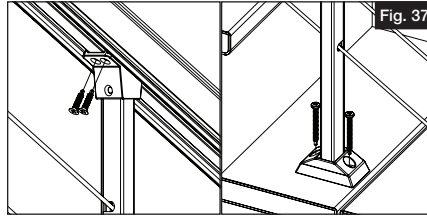
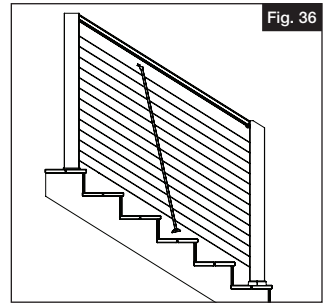


Fig. 35

- c. Twist the support assembly so that you can apply the top support bracket and lower support foot (Fig. 36).
- d. Return support to desired location and plumb the assembly. Using the holes in the top support bracket and the support foot as a guide, predrill the holes with a $\frac{1}{8}$ " drill bit. Fasten the top bracket to the beam with two #8 x $\frac{3}{4}$ " screws. Fasten the support foot with two #8 x $1\frac{1}{2}$ " screws (Fig. 37).
- e. Fasten the top support bracket to the support with one #8 x $\frac{1}{2}$ " screw (Fig. 38).

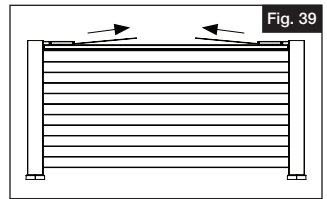


8. Pre-tension cable on guide A and B by pulling as much slack through the locker by hand (Fig. 39). Make sure the cable is rounding the last turn of the guide by looking down the post (Fig. 38).

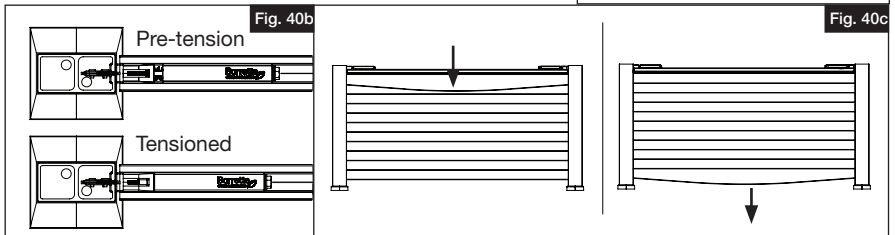
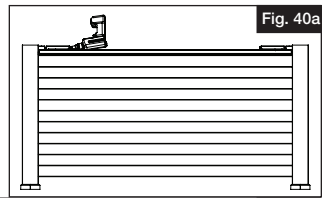
NOTE:

THIS STEP IS CRUCIAL TO ATTAIN PROPER FINISHED TENSION. PULL HARD.

Wearing a glove may help while pre-tensioning. Ensure the cable is centered in the cable guide while pulling tight (Fig. 38).

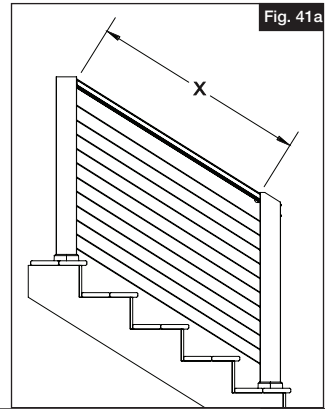


9. Use an impact driver or power drill to tighten the tensioners. Use a $\frac{3}{16}$ " socket or wrench to tighten the bolt at the end of the locker (Fig. 40a). Do this for both lockers at each post until spring is no longer visible. (Initial tensioning complete) (Fig. 40b). Complete this step for all sections.



10. Final tensioning. Push down on top row of cable firmly. The spring near cable guide A should be visible once again. Using your drill and $\frac{3}{16}$ " socket tensioning the bolt until spring is no longer visible. Complete same procedure for cable guide B, but push on bottom row of cable to loosen spring (Fig. 40c).

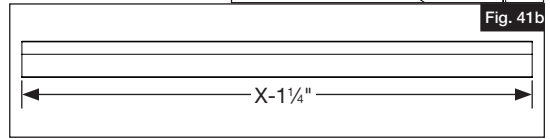
- 11.** Cut excess cable leaving approximately 12" remaining from each guide. This excess will remain in the top beam channel.



- 12.** Measure the length of the top of the top beam (Fig. 41a). Subtract $1\frac{1}{4}$ " and cut the top rail to this dimension (Fig. 41b).

NOTE:

This is a straight cut, not angled.

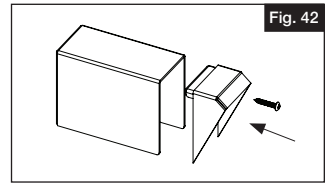


- 13.** Place the cut rail over the beam and snap into place using a rubber mallet if needed.

- 14.** Place appropriate end, line, or corner post cap onto the post and press or tap into place with a mallet.

NOTE:

The post at the top of your stairs will use the cap adapter that is included with your bottom stair post. Fasten it to the cap as shown in (Fig. 42) before pressing it into place.





ELEVATION™ RAIL

POUR UNE RAMPE DE 42 PO (106,7 CM) DE HAUTEUR

Instructions d'installation

English.....	1
Français.....	13
Español.....	25



Lire toutes les instructions avant d'installer le produit.
Consulter les consignes de sécurité du fabricant avant d'utiliser des outils.

Pour enregistrer le produit, visiter : **rdirail.com**

⚠ AVERTISSEMENT :

- Une mauvaise installation du produit peut causer des blessures. Toujours porter des lunettes de sécurité lors de la coupe, du perçage et de l'assemblage du produit.
- Une installation incorrecte est susceptible de causer des dommages au produit ou des blessures à l'individu.
- Consulter les exigences du code du bâtiment local. L'omission d'installer ce produit conformément aux exigences du code du bâtiment en vigueur pourrait compromettre la sécurité du produit et entraîner l'annulation de la garantie.

AVIS :

- NE PAS tenter d'assembler le kit s'il y a des pièces endommagées ou manquantes.
- NE PAS retourner le produit au magasin. Pour obtenir de l'aide ou des pièces de remplacement, composer le 1-877-265-2220.

ATTACHES NÉCESSAIRES :

Selon la méthode d'installation (vendues séparément)

Boulons galvanisés de 3/8 po (9 mm) de diamètre avec écrous et rondelles larges (pour terrasse/bois)

Ancrages de maçonnerie de 3/8 po (9,5 mm) (pour béton)

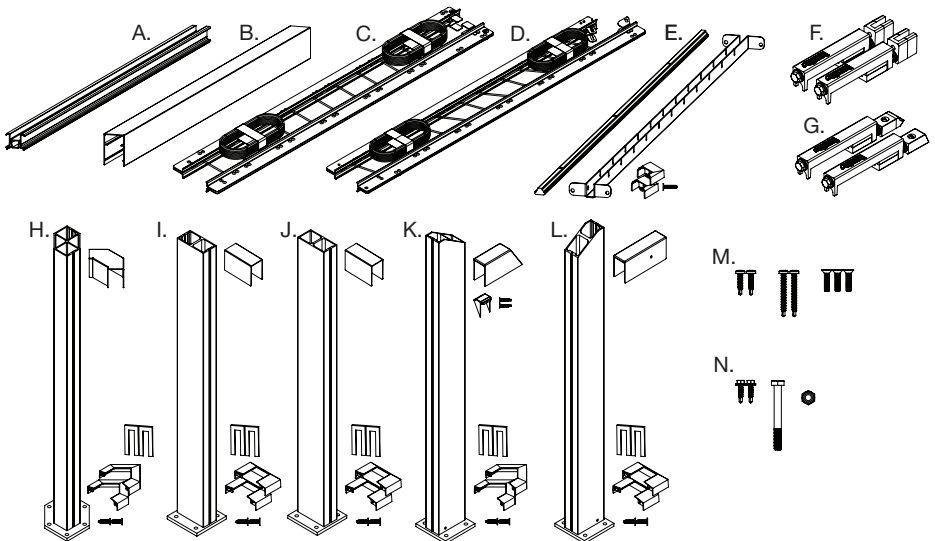
Vis à bois à terrasse non 10 x 3 1/2 po (88,9 mm) (pour terrasse/bois)

Composants :

QUANT	Description
1	Profilé supérieur – (A)
1	Main courante – (B)
1	Guide-câble pour rampe horizontale – (C)
1	Guide-câble pour rampe d'escalier – (D)
1	Couvercle du support intermédiaire, support intermédiaire, bague de garniture – (E)
2	Tendeurs de rampe horizontale – (F)
2	Tendeurs de rampe d'escalier (A et B) – (G)
1	Poteau cornier, capuchon, bague de garniture, cales pour rampe horizontale – (H)
1	Poteau intermédiaire, capuchon, bague de garniture, cales pour rampe horizontale – (I)
1	Poteau d'extrémité, capuchon, bague de garniture, cales pour rampe horizontale – (J)
1	Poteau d'extrémité, capuchon, adaptateur de capuchon, bague de garniture, cales pour rampe d'escalier – (K)
1	Poteau intermédiaire, capuchon, bague de garniture, cales pour rampe d'escalier – (L)
1	Emballage de vis pour rampe horizontale – (M)
1	Emballage de vis pour rampe d'escalier – (N)

OÙTILS/MATÉRIAUX NÉCESSAIRES :

Ruban à mesurer
Niveau
Perceuse
Lunettes de sécurité
Foret pour maçonnerie
Tournevis Phillips
Cordeau
Forets 5/16 po (11,1 mm) et 1/8 po (3,2 mm)
Crayon
Douille 5/16 po (14,3 mm) pour perceuse
Coupe-câble de type Felco
Règle
Maillet de caoutchouc
Serre-joints
Scie à métaux ou scie à découper

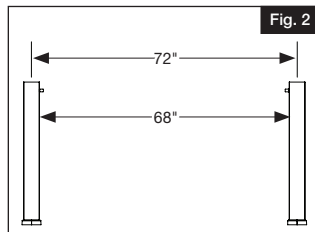
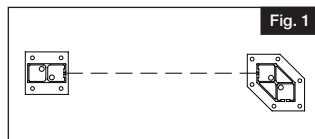


Pour obtenir et examiner une copie de la garantie, visiter rdirail.com. On peut également nous contacter par téléphone au 1-877-265-2220 ou par courriel à help@rdirail.com.

- 1.** Déterminer l'emplacement souhaité des poteaux. S'assurer d'aligner tous les poteaux à partir du centre (Fig. 1). La portée maximale d'une section de rampe horizontale est de 68 po (172,7 cm) entre les poteaux et de 72 po (182,9 cm) au centre (Fig. 2).

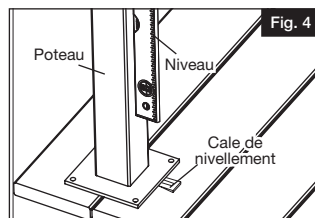
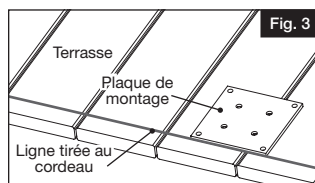
NOTE:

Le décalage d'un poteau de coin est légèrement différent de celui d'un poteau intermédiaire ou d'un poteau d'extrémité (environ ¼ po/6 mm).



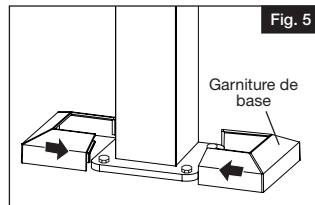
2. Installation des poteaux

- Les poteaux sont conçus et fabriqués pour accepter des attaches de 3/8 po (9,5 mm) (vendues séparément). On doit s'assurer d'utiliser des fixations appropriées pour l'installation.
- Déterminer l'emplacement désiré de la rampe et tracer une ligne au cordeau sur la surface de montage pour s'assurer que tous les poteaux sont alignés correctement (Fig. 3).
- Aplomber et niveler les poteaux à l'aide des cales de nivellement comprises (Fig. 4), puis fixer les poteaux en place à l'aide des attaches appropriées (vendues séparément). Poser les garnitures de base autour de chaque poteau (Fig. 5).
- Déterminer ci-dessous la méthode appropriée pour l'installation des poteaux.



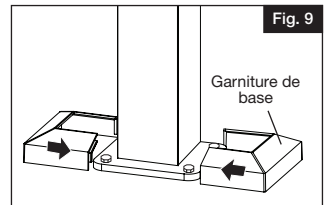
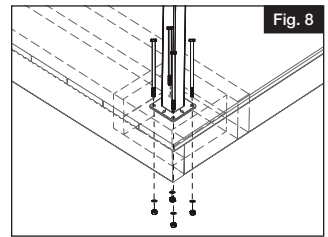
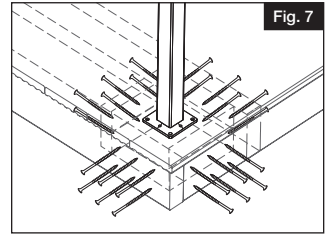
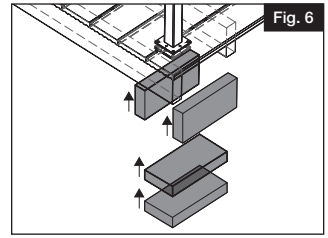
Installation sur une surface en béton :

- Acheter quatre ancrages de maçonnerie de 3/8 po (9,5 mm) conformément aux exigences du code du bâtiment local.
- Tracer des marques sur la surface du béton à travers les trous de la plaque de montage ; suivre les instructions d'installation du fabricant d'ancrages de maçonnerie.
- Poser les sections de garniture de base autour du poteau. Installer les sections de la garniture de base autour du poteau. Prendre un côté de la garniture de base et pousser les bouchons de plastique dans le trou situé en dessous. Prendre la deuxième moitié de la garniture de base et l'encliqueter dans la première (Fig. 5).

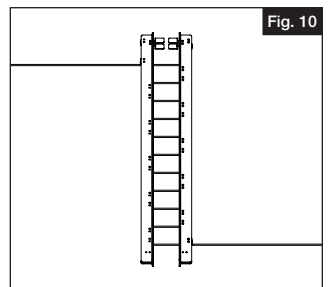


Installation sur une terrasse/surface en bois :

- a. Pour une installation sur une terrasse, utiliser la plaque de montage secondaire fournie pour fixer les poteaux en place.
- b. Sous chaque emplacement de poteau, placer au moins deux cales de 2 po x 8 po (50 mm x 203 mm) fixés à l'aide d'au moins trois vis no 10 x 3½ po/88,9 mm (vendues séparément) pénétrant à travers les solives au moins 1½ po (38,1 mm) dans les cales (Fig. 6 et 7).
- c. Marquer les trous à travers le fond de la plaque de poteau en acier sur la surface de la terrasse. Enlever le poteau et percer des trous de 7/16 po (11,1 mm) à l'emplacement des quatre marques à travers la planche de terrasse et les cales.
- d. Acheter des boulons galvanisés à chaud ou en acier inoxydable de 3/8 po (9 mm) de diamètre avec écrous et rondelles larges. Les boulons doivent être environ 1 po (25 mm) plus long que la distance entre la plaque de montage en acier et le bas du calage.
- e. Pousser les boulons à travers la plaque de poteau (Fig. 8). Les poteaux peuvent être mis à niveau au besoin à l'aide de cales.
- f. Serrer les boulons, puis poser les sections de garniture de base autour du poteau. Prendre un côté de la garniture de base et pousser les bouchons de plastique dans le trou situé en dessous. Prendre la deuxième moitié de la garniture de base et l'encliqueter dans la première (Fig. 9).



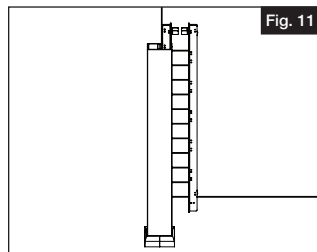
3. Retirer l'ensemble guide-câble de rampe horizontale de l'emballage. Poser l'assemblage sur le sol près des poteaux dans lesquels il sera inséré. Dérouler complètement chaque boucle de câble afin qu'elle soit exempte de plis. Laisser les câbles reposer à plat et droit sur le sol (Fig. 10).



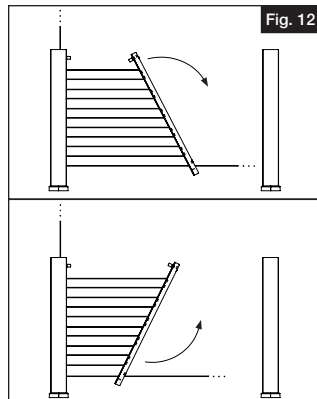
- 4.** Faire glisser l'assemblage guide-câble A dans le poteau. Le support qui se trouve au haut et au bas du guide doit reposer sur la base du poteau. Le câble descendra le long du poteau par la fente ouverte sur le côté du poteau. On doit d'assurer que l'excédent de câble sorte par le haut du poteau (Fig. 11).

NOTE:

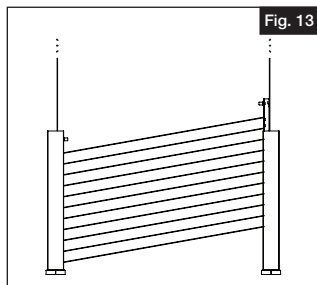
S'assurer que les câbles ne se croisent pas ou ne s'em mêlent pas lorsque le guide est inséré dans le poteau. S'ils le font, cela se corrige facilement avant la mise en tension initiale.



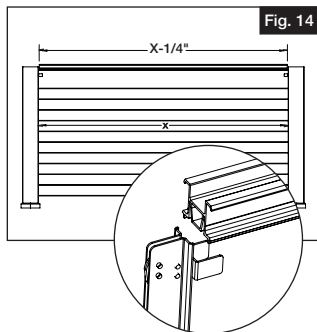
- 5.** En tenant le guide-câble B, effectuer un mouvement de va-et-vient pour étirer le câble et déplacer le guide B vers le poteau adjacent. S'assurer qu'une quantité égale d'excédent de câble reste sur les deux guides (Fig. 12). Veiller à ne pas tirer toute la partie lâche du câble dans un seul guide. Au besoin, il est possible de redistribuer la partie lâche en desserrant les câbles au milieu de la section et en tirant l'excédent dans la direction voulue.



- 6.** Faire glisser le guide-câble B dans la rainure du deuxième poteau en veillant à ce que l'excédent de câble remonte et sorte par le haut du poteau (Fig. 13). S'assurer que les deux côtés du panneau avec câbles reposent complètement sur le bas du poteau.

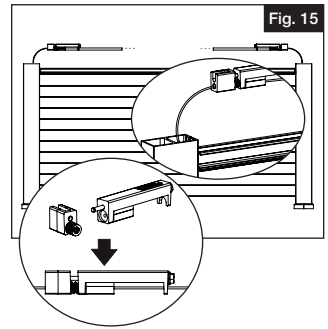


- 7.** Mesurer la distance entre les poteaux. Soustraire 1/4 po (12 mm) et couper le profilé supérieur à cette longueur. Placer le profilé sur les supports. La plus grande rainure du profilé sera orientée vers le haut et les deux rainures du bas s'emboîteront dans le support du guide-câble (Fig. 14).



8.

- a. Le mécanisme de blocage doit être à son point de départ, soit le plus proche du ressort. Le point de départ approprié est illustré dans la Fig. 15. Le boulon peut être tourné dans le sens inverse des aiguilles d'une montre pour l'amener au point de départ approprié au besoin.
- b. Faire passer l'excédent de câble de chaque poteau dans les dispositifs de blocage (Fig. 15). S'assurer que le câble fait le dernier tour du guide en regardant vers le bas du poteau (Fig. 16). Placer le dispositif de blocage dans la rainure du profilé, aussi près que possible du poteau.

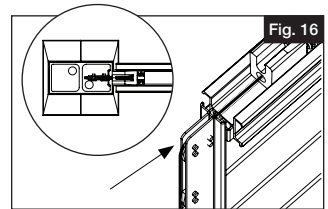


REMARQUE:

Si l'anneau à ressort métallique n'est pas présent et que le tendeur est séparé en 3 pièces. Alignez simplement les pièces comme indiqué et enfiler le câble comme indiqué. La tension initiale fixera le tendeur.

9.

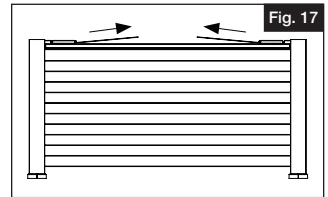
- Pré-tendre le câble sur les guides A et B en tirant à la main le maximum de câble lâche dans le dispositif de blocage (Fig. 17). S'assurer que le câble fait le dernier tour du guide en regardant vers le bas du poteau (Fig. 16).



REMARQUE:

CETTE ÉTAPE EST CRUCIALE POUR OBTENIR UNE TENSION FINALE CORRECTE. ON DOIT TIRER FORT.

Le port de gants peut être utile lors de la pré-tension. Veiller à ce que le câble soit centré dans le guide-câble, tout en tirant fermement (Fig. 16).

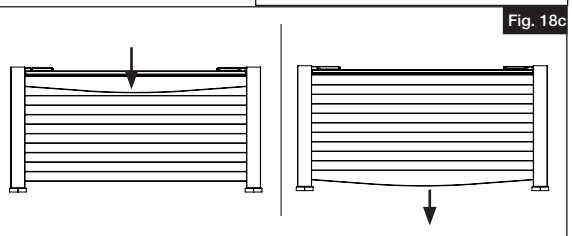
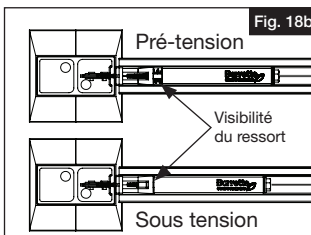
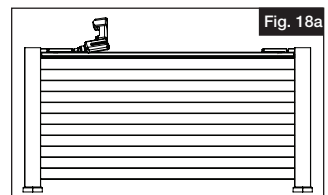


10.

Utiliser un tournevis à chocs ou une perceuse électrique pour serrer les tendeurs. Utiliser une douille de $\frac{5}{16}$ po (14,3 mm) pour serrer le boulon à l'extrémité du dispositif de blocage (Fig. 18a). Procéder ainsi pour les deux dispositifs à chaque poteau jusqu'à ce que le ressort ne soit plus visible (Fig. 18b) (fin de la tension initiale). Compléter cette étape pour toutes les sections.

11.

Tension finale. Appuyer fermement sur la rangée supérieure de câbles. Le ressort près du guide-câble A doit être à nouveau visible. À l'aide de la perceuse et de la douille $\frac{5}{16}$ po (14,3 mm), serrer le boulon jusqu'à ce que le ressort ne soit plus visible (Fig. 18c). Effectuer la même procédure pour le guide-câble B, mais cette fois appuyer sur la rangée inférieure de câbles pour détendre le ressort.

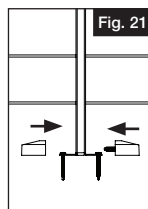
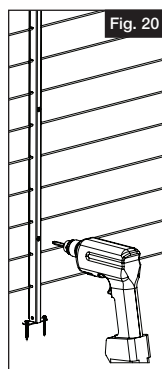
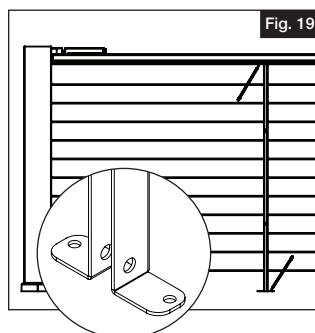


12. Couper l'excédent de câble en laissant environ 12 po (304,8 mm) sur chaque guide. Cet excédent restera dans la rainure du profilé supérieur.

13. Barreau de support intermédiaire. Localiser le centre de la section. Placer le support intermédiaire au centre de la portée. Marquer l'emplacement des 2 trous supérieurs et 2 trous inférieurs. Le bas du support intermédiaire peut être identifié par un trou près de sa base (Fig. 19). Retirer le support et percer des avant-trous au moyen d'un foret de 1/8 po (3,2 mm). Remettre le support au centre de la portée et fixer le support à l'aide des vis incluses. Aligner le couvercle du support intermédiaire sur le support et fixer le couvercle à l'aide de vis à tête plate (Fig. 20). Les vis de 3/4 po (19 mm) sont fixées dans le profilé supérieur et les vis de 1 1/2 po (38,1 mm) sont fixées à la surface de la terrasse. Les trous sur l'extérieur du support s'aligneront sur les couvercles pour les joindre. Utiliser le bouchon de fixation pour l'insérer dans une moitié de la bague de garniture du support intermédiaire. Placer les deux moitiés au bas du support et les pousser ensemble (Fig. 21).

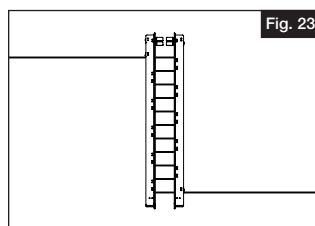
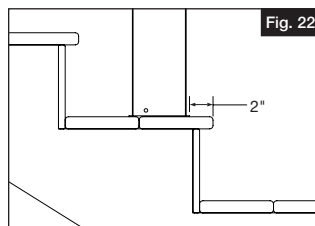
14. Prendre la mesure de l'étape 7 et soustraire 1/4 po (6 mm) (X-1/4 po). Couper la main courante à cette mesure. Placer la main courante coupée sur le profilé et l'enclencher en place en utilisant un maillet en caoutchouc si nécessaire.

15. Placer le capuchon de poteau d'extrémité, de poteau intermédiaire ou de poteau cornier approprié sur le haut de chaque poteau et le mettre en place en appuyant ou en tapant avec un maillet en caoutchouc si nécessaire.



Installation sur un escalier

- 1.**
- Déterminer l'emplacement des poteaux. Il peut y avoir un maximum de 5 contremarches entre les poteaux. Les plaques de base des poteaux doivent être placées à 2 po (50 mm) du nez de la marche (Fig. 22). Installer les poteaux selon les instructions de la section sur les rampes horizontales.
 - Retirer l'ensemble guide-câble de rampe horizontale de l'emballage. Poser l'assemblage sur le sol près des poteaux dans lesquels il sera inséré. Dérouler complètement chaque boucle de câble afin qu'elle soit exempte de plis. Laisser les câbles reposer à plat et droit sur le sol (Fig. 23).

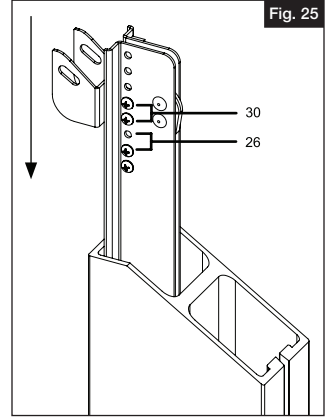
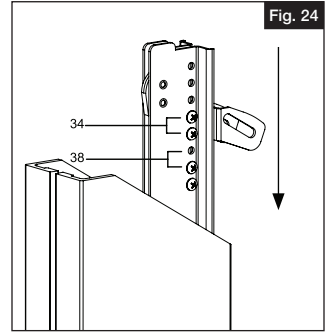


2.

Planification pour un poteau au centre de l'escalier :

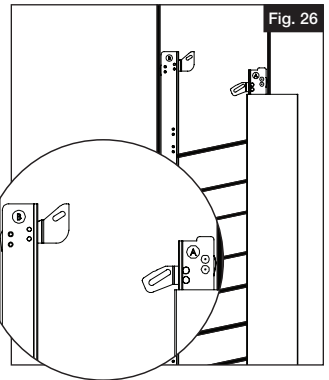
S'il y a un poteau au centre de l'escalier, il est possible de régler la hauteur du support pour mieux tenir compte des angles. S'il n'y a pas de poteau intermédiaire, AUCUN réglage n'est nécessaire, et l'on peut passer à l'étape 3.

- Si l'angle de l'escalier est de 31 à 33 degrés, AUCUN réglage des supports n'est nécessaire.
- Si l'angle de l'escalier est de 34 à 38 degrés, le support A du guide-câble, situé sur le côté inférieur du poteau intermédiaire, devra être abaissé. Voir Fig. 24 pour le positionnement. Retirer les deux vis qui maintiennent le support en place. Régler la position du support, réinsérer les vis et serrer les vis au moyen d'un tournevis en évitant de trop les serrer.
- Si l'angle de l'escalier est de 26 à 30 degrés, le support B du guide-câble, situé sur le côté supérieur du poteau intermédiaire, devra être abaissé. Voir Fig. 25 pour le positionnement. Retirer les deux vis qui maintiennent le support en place. Régler la position, réinsérer les vis et serrer les vis au moyen d'un tournevis en évitant de trop les serrer.



3.

Identifier le guide-câble de rampe d'escalier A. Ce guide sera inséré en premier dans le poteau d'escalier du haut. Faire glisser l'ensemble du guide-câble A dans le poteau. Le support qui se trouve au haut et au bas du guide doit reposer sur la base du poteau. Le câble descendra le long du poteau par la fente ouverte sur le côté du poteau. On doit d'assurer que l'excédent de câble sorte par le haut du poteau (Fig. 26).



4.

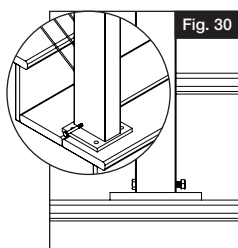
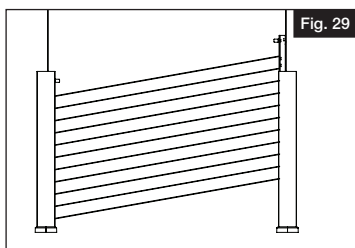
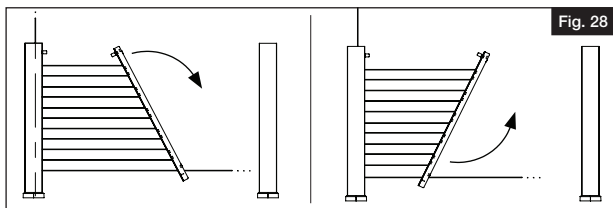
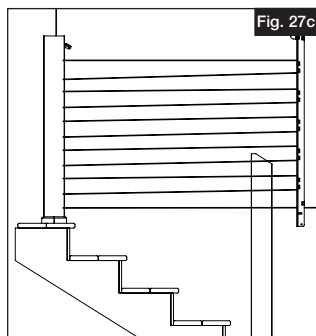
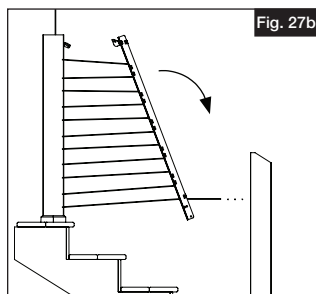
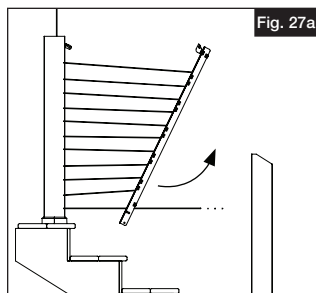
- a. En tenant le guide-câble B, effectuer un mouvement de va-et-vient pour étirer le câble et déplacer le guide B vers le poteau du bas. Faire ceci jusqu'à ce que le guide dépasse le poteau du bas (Fig. 27).

NOTE:

Le guide B a un trou près du bas. Il est utilisé à l'étape suivante.

S'assurer qu'une quantité égale d'excédent de câble reste sur les deux guides (Fig. 28). Veiller à ne pas tirer toute la partie lâche du câble dans un seul guide. Au besoin, il est possible de redistribuer la partie lâche en desserrant les câbles au milieu de la section et en tirant l'excédent dans la direction voulue.

- b. Insérer le guide-câble B dans la rainure du deuxième poteau en veillant à ce que l'excédent de câble sorte par le haut du poteau (Fig. 29). S'assurer que le guide B se trouve au bas du poteau, et insérer le boulon dans l'avant-trou percé dans le poteau du bas de l'escalier. Enfiler et serrer l'écrou (Fig. 30).

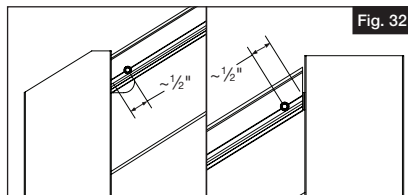
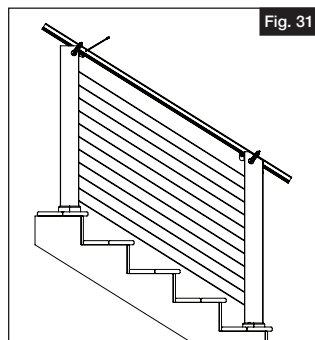


- 5.** a. Au moyen de serre-joints, fixer le profilé supérieur sur le côté des poteaux de l'escalier en l'alignant sur les supports. Marquer le profilé au niveau des poteaux (Fig. 31). Couper le profilé supérieur sur ces marques et à cet angle.

REMARQUE:

Le haut du profilé a une rainure ouverte plus large. S'assurer que le profilé est orienté dans le bon sens avant de serrer, marquer et couper.

- b. Placer le profilé entre les poteaux et le presser sur les supports. En utilisant les vis à tête hexagonale fournies, fixer une vis à l'extrémité du profilé à chaque poteau (une au poteau du haut et une au poteau du bas). Utiliser la ligne tracée sur le profilé comme guide pour la vis. La vis doit se trouver sur la ligne et à environ $\frac{1}{2}$ po (12 mm) de l'extrémité du profilé (Fig. 32).

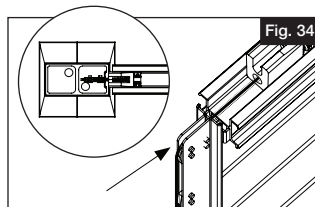
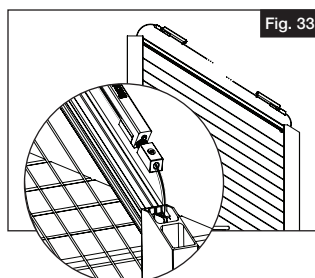


- 6.** a. Faire passer le câble à travers le ressort de tension B et le tendeur. Placer le ressort de tension B et le tendeur dans le profilé supérieur au niveau du poteau du bas (Fig. 33).

REMARQUE:

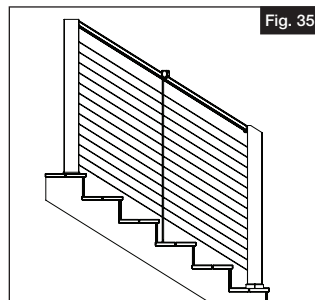
Ces éléments sont des pièces séparées. Faire passer le câble dans le bloc et le ressort d'abord, puis dans le tendeur.

- b. S'assurer que le câble fait le dernier tour du guide en regardant vers le bas du poteau (Fig. 34). Tirer toute la partie lâche du câble dans le tendeur. Veiller également à ce que le ressort de tension reste en place dans le profilé au niveau du poteau avant de tirer sur le tendeur.
- c. Localiser le ressort de tension A et répéter l'étape 5 en haut de l'escalier.

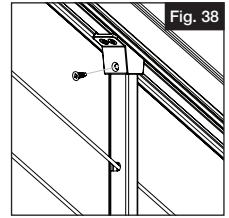
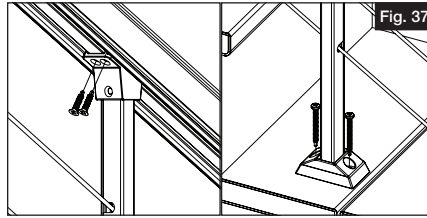
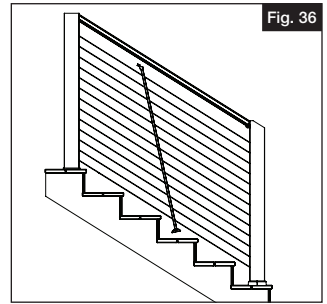


7. Barreau de support intermédiaire.

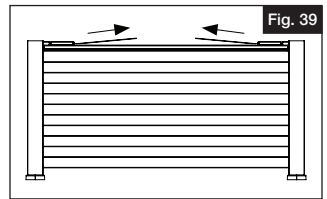
- a. Identifier l'emplacement souhaité du support intermédiaire sur la marche de l'escalier. Mesurer la hauteur de cet emplacement jusqu'au dessous du profilé supérieur (Fig. 35).
- b. Le haut du support intermédiaire peut être identifié par la flèche estampillée sur la pièce. À partir du haut du support, mesurer la distance obtenue à l'étape a. Soustraire $\frac{1}{8}$ po (3,2 mm) et faire une marque. Fixer temporairement le couvercle du support au support et couper les deux pièces sur cette marque. Retirer le couvercle et placer le support au centre de la portée en veillant à ce que les câbles soient alignés sur les avant-trous. Fixer le couvercle du support à l'aide de trois vis à tête plate.



- c. Faire pivoter l'assemblage du support de manière à pouvoir poser la patte de support supérieur et la patte de support inférieur (Fig. 36).
- d. Replacer le support à l'endroit désiré, et mettre l'assemblage d'aplomb. En utilisant les trous de la ferrure de support supérieur et de la patte de support comme guide, percer des avant-trous au moyen d'un foret de $\frac{1}{8}$ po (3,2 mm). Fixer la patte de support supérieur au poteau à l'aide de deux vis no 8 x $\frac{3}{4}$ po (19 mm). Fixer la patte de support avec deux vis no 8 x $1\frac{1}{2}$ po (38,1 mm) (Fig. 37).
- e. Fixer la ferrure de support supérieur au support avec une vis no 8 x $\frac{1}{2}$ po (12,7 mm) (Fig. 38).



- 8.** Pré-tendre le câble sur les guides A et B en tirant à la main le maximum de câble lâche dans le dispositif de blocage (Fig. 39). S'assurer que le câble fait le dernier tour du guide en regardant vers le bas du poteau (Fig. 38).

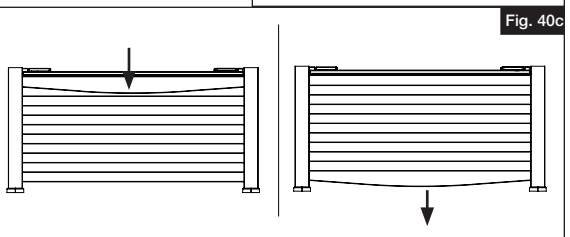
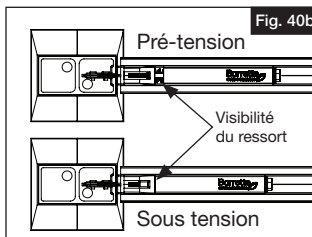
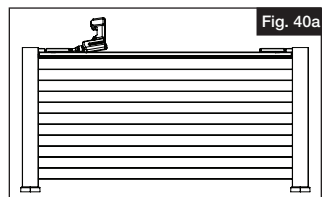


REMARQUE:

CETTE ÉTAPE EST CRUCIALE POUR OBTENIR UNE TENSION FINALE ADÉQUATE. ON DOIT TIRER FORT.

Cette étape est cruciale pour obtenir une tension finale correcte. Le port de gants peut être utile lors de la pré-tension. Veiller à ce que le câble soit centré dans le guide-câble, tout en tirant fermement (Fig. 38).

- 9.** Utiliser un tournevis à chocs ou une perceuse électrique pour serrer les tendeurs. Utiliser une douille de $\frac{9}{16}$ po (14,3 mm) pour serrer le boulon à l'extrémité du dispositif de blocage (Fig. 40a). Procéder ainsi pour les deux dispositifs à chaque poteau jusqu'à ce que le ressort ne soit plus visible (Fig. 40b) (fin de la tension initiale). Compléter cette étape pour toutes les sections.



- 10.** Tension finale. Appuyer fermement sur la rangée supérieure de câbles. Le ressort près du guide-câble A doit être à nouveau visible. À l'aide de la perceuse et de la douille $\frac{9}{16}$ po (14,3 mm), serrer le boulon jusqu'à ce que le ressort ne soit plus visible. Effectuer la même procédure pour le guide-câble B, mais cette fois appuyer sur la rangée inférieure de câbles pour détendre le ressort (Fig. 40c).

- 11.** Couper l'excédent de câble en laissant environ 12 po (304,8 mm) sur chaque guide. Cet excédent restera dans la rainure du profilé supérieur.

- 12.** Mesurer la longueur de la partie supérieure de la poutre supérieure (Fig. 41a). Soustraire 1¼ po (31,8 mm), et couper le profilé supérieur à cette longueur (Fig. 41b).

REMARQUE:

Il s'agit d'une coupe droite, et non d'une coupe en angle.

- 13.** Placer la main courante coupée sur le profilé et l'enclencher en place en utilisant un maillet en caoutchouc si nécessaire.

- 14.** Placer le capuchon de poteau d'extrémité, de poteau intermédiaire ou de poteau cornier approprié sur le haut de chaque poteau et le mettre en place en appuyant ou en tapant avec un maillet en caoutchouc.

NOTE :

Le poteau du haut de l'escalier nécessitera un adaptateur de capuchon qui est inclus avec le poteau du bas de l'escalier. Fixer l'adaptateur au capuchon comme indiqué (Fig. 42) avant de le mettre en place.

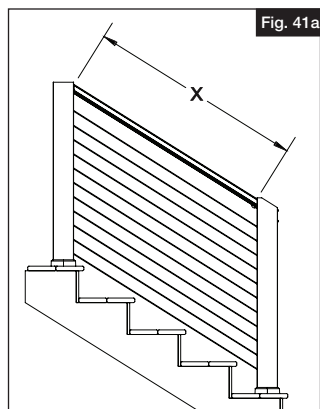


Fig. 41a

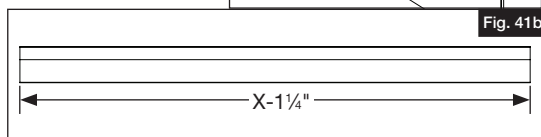


Fig. 41b

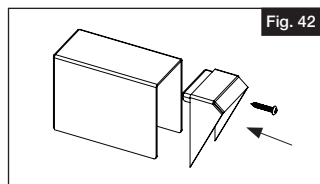


Fig. 42



ELEVATION™ RAIL

PARA BARANDALES DE 42" DE ALTURA

Instrucciones de Instalacion

English.....	1
Français.....	13
Español.....	25



Lea todas las instrucciones antes de la instalación del producto.
Consulte las instrucciones de seguridad del fabricante cuando se vaya a utilizar alguna herramienta.

Para registrar su producto, visite: **rdirail.com**

⚠ ADVERTENCIA:

- La instalación incorrecta de este producto puede resultar en lesiones corporales. Utilice siempre gafas de seguridad al momento de cortar, taladrar y ensamblar el producto.
- La instalación incorrecta puede causar daños al producto o a la persona.
- Consulte los códigos de construcción locales para conocer los requisitos de instalación; el hecho de no instalar este producto de acuerdo con los códigos de construcción puede afectar a la seguridad del producto y anular la garantía del mismo

AVISO:

- NO intente ensamblar el kit si faltan piezas o las piezas están dañadas.
- NO devuelva el producto a la tienda. Para obtener ayuda o piezas de repuesto, llame al: 1-877-265-2220.

SUJETADORES NECESARIOS:

Dependiendo del método de instalación
(se venden por separado).

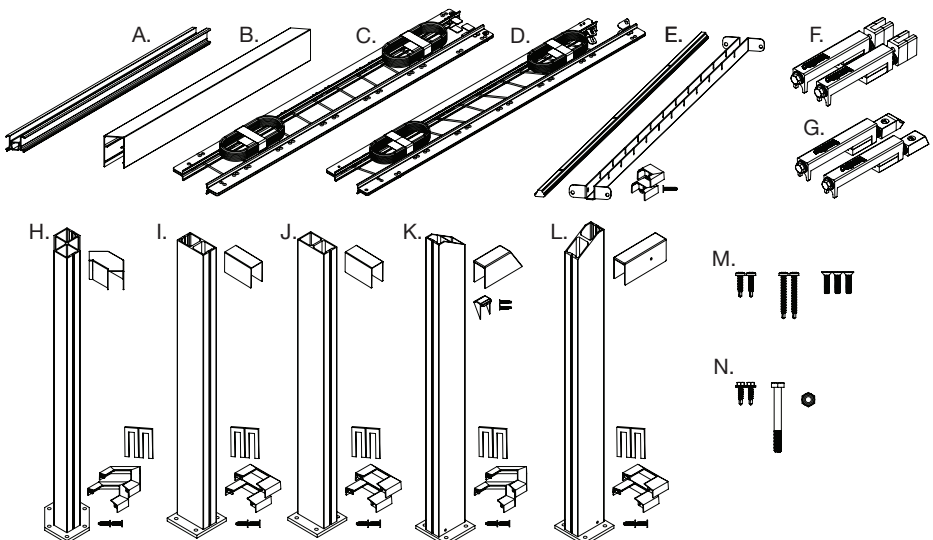
Pernos galvanizados de $\frac{3}{8}$ " de diámetro con tuercas y arandelas guardabarros (para plataforma/madera)
Anclajes para concreto de $\frac{3}{8}$ " (para concreto)
Tornillos de plataforma #10 de $3\frac{1}{2}$ " (para plataforma/madera)

Componentes:

CTD.	Descripción
1	Viga superior – (A)
1	Travesaño superior – (B)
1	Guía de cables plana – (C)
1	Guía de cables de escalera – (D)
1	Cubierta del soporte central, soporte central, anillo decorativo – (E)
2	Tensores para barandal plano – (F)
2	Tensores para barandal de escaleras [A & B] – (G)
1	Poste esquinero (barandal plano), tapa, anillo decorativo, cuñas – (H)
1	Poste intermedio (barandal plano), tapa, anillo decorativo, cuñas – (I)
1	Poste final (barandal plano), tapa, anillo decorativo, cuñas – (J)
1	Poste final (barandal de escaleras), tapa, adaptador de tapa, anillo decorativo, cuñas – (K)
1	Poste intermedio (barandal de escaleras), tapa, anillo decorativo, cuñas – (L)
1	Paquete de tornillos del kit plano – (M)
1	Paquete de tornillos del kit de escalera – (N)

HERRAMIENTAS Y MATERIALES NECESARIOS:

Cinta métrica
Nivel
Taladro
Gafas de seguridad
Broca para concreto
Destornillador Phillips
Línea de gis
Brocas de $\frac{7}{16}$ " y $\frac{1}{8}$ "
Lápiz
Llave de vaso de $\frac{9}{16}$ " para taladro
Cortador de cable tipo Felco
Regla
Martillo de goma
Pinzas
Sierra o tronzadora

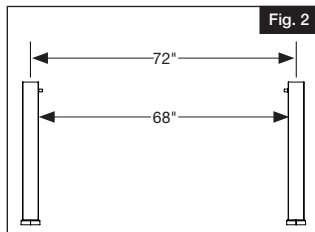
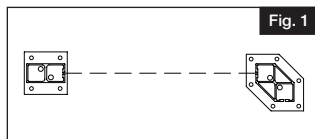


Para obtener y revisar una copia de la garantía, visite rdirail.com. También puede contactarnos al 1-877-265-2220 o enviar un correo electrónico a help@rdirail.com.

- 1.** Determine la ubicación deseada del poste. Asegúrese de alinear todos los postes desde el centro (Fig. 1). La distancia máxima de una sección de barandal plano es de 68" (1,72 m) entre postes (72" o 1,82 m al centro). (Fig. 2)

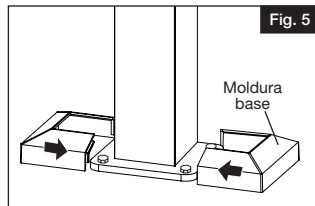
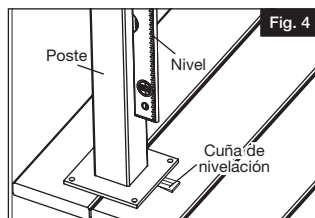
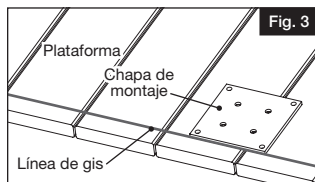
NOTA:

El desplazamiento de un poste esquinero es ligeramente diferente al de un poste intermedio o extremo (aproximadamente 1/4").



2. Montaje del poste

- Los postes están diseñados y fabricados para aceptar sujetadores de 3/8" (se venden por separado). Asegúrese de usar los sujetadores adecuados para su instalación.
- Determine la ubicación deseada del barandal y trace una línea de gis en la superficie de montaje para comprobar que todos los postes queden alineados correctamente (Fig. 3).
- Aplome y nivele los postes mediante el uso de cuñas (se venden por separado) (Fig. 4). Fije los postes en su lugar con los sujetadores adecuados (se venden por separado) e instale las molduras base en cada poste (Fig. 5).
- Determine a continuación el método adecuado para la instalación de los postes.



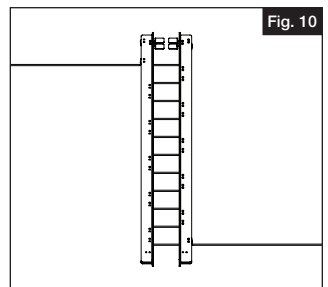
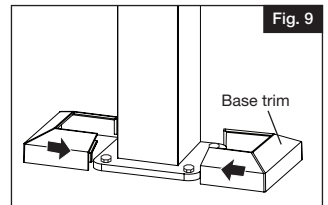
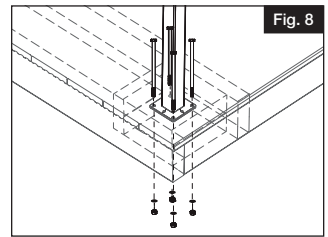
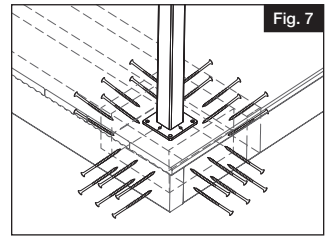
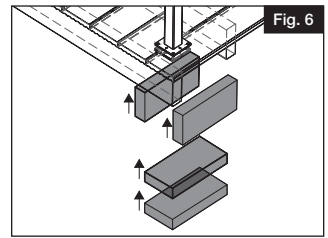
Instalaciones en superficies de concreto:

- Compre cuatro anclajes para concreto de 3/8" de conformidad con los códigos locales de construcción.
- Marque los orificios a través de las chapas de montaje en la superficie de concreto y siga las instrucciones de instalación del anclaje para concreto.
- Instale las secciones de la moldura base alrededor del poste. Tome un lado de la moldura base y empuje los tapones de plástico a través del agujero que hay debajo. Tome la segunda mitad de la moldura base y encañajela en la primera mitad (Fig. 5).

Instalaciones en superficies de madera o plataformas:

- a. Para las aplicaciones en plataformas, utilice la chapa de montaje secundaria suministrada cuando fije los postes en su sitio.
- b. Debajo de todas las ubicaciones de los postes, instale al menos dos bloques de 2"x8" utilizando al menos tres tornillos de plataforma #10 de 3½" que penetren a través de las viguetas al menos 1½" en los bloques (se venden por separado) (Fig. 6 y 7).
- c. Marque los agujeros a través de la chapa inferior del poste de acero en la superficie de la plataforma. Retire el poste de acero y perforo agujeros de 7/16" en las cuatro marcas a través del tablón de la plataforma y el bloque.
- d. Adquiera pernos, tuercas y arandelas guardabarros de 3/8" de diámetro galvanizados por inmersión en caliente o de acero inoxidable. Los pernos deben ser aproximadamente 1" (2,5 cm) más largos que la distancia entre la placa de montaje de acero y la parte inferior del bloque.
- e. Empuje los pernos a través de la placa del poste (Fig. 8). Los postes se pueden nivelar según sea necesario mediante el uso de cuñas.
- f. Apriete los tornillos e instale las secciones de la moldura base alrededor del poste. Tome un lado de la moldura base y empuje los tapones de plástico a través del agujero que hay debajo. Tome la segunda mitad de la moldura base y encañajela en la primera mitad (Fig. 9).

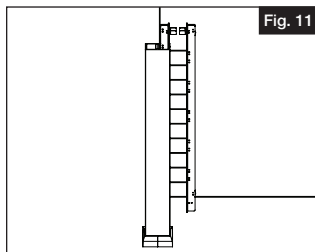
- 3.** Saque el conjunto de la guía del cable para barandal plano del paquete. Coloque el conjunto en el suelo cerca de los postes en los que se insertará. Desenrolle completamente cada bucle de cable para que estén libres de torceduras. Deje que los cables queden planos y rectos en el suelo (Fig. 10).



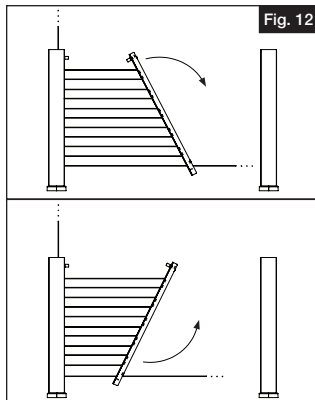
- 4.** Deslice el conjunto de la guía del cable A en el poste. El soporte estará en la parte superior y la parte inferior de la guía debe tocar la base del poste. El cable se deslizará por el poste a través de la ranura abierta en el costado del poste. Asegúrese de que el cable sobrante salga por la parte superior del poste (Fig. 11).

NOTA:

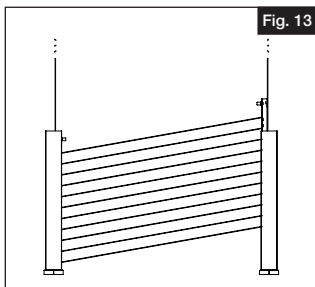
Asegúrese de que los cables no se crucen ni se enreden al introducir la guía en el poste. Si esto sucede, se puede corregir fácilmente antes del tensado inicial.



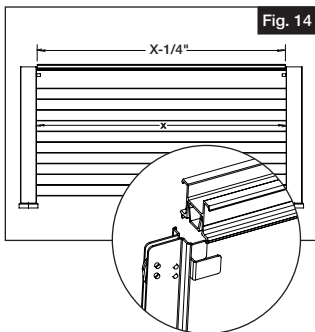
- 5.** Mientras sujeta la guía del cable B, utilice un movimiento de vaivén para tensar el cable y pasar la guía B hacia el poste adyacente. Asegúrese de que quede una cantidad igual de cable sobrante en ambas guías (Fig. 12). Tenga cuidado de no jalar toda la holgura en una sola guía. Si es necesario, puede redistribuir la holgura aflojando los cables en la mitad de la sección y jalando el exceso en la dirección necesaria.



- 6.** Deslice la guía del cable B en el canal del segundo poste asegurándose de que el cable sobrante suba y salga por la parte superior del poste (Fig. 13). Asegúrese de que ambos lados del panel de cables queden asentados hasta la parte inferior del poste.

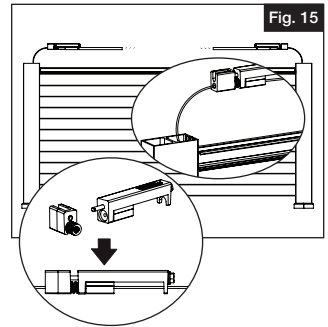


- 7.** Mide la distancia entre los postes. Reste $\frac{1}{4}$ " y corte la viga superior a esa longitud. Coloque la viga sobre los soportes. El canal más grande de la viga estará orientado hacia arriba y las 2 ranuras de la parte inferior anidarán con el soporte de la guía del cable (Fig. 14).



8.

- a. El mecanismo de bloqueo debe estar en su punto de partida, el más cercano al resorte. El punto de partida correcto se puede observar en la Fig. 15. El perno se puede girar en sentido contrario a las agujas del reloj para llevarlo al punto de partida correcto si es necesario.
- b. Introduzca el cable sobrante de cada poste en los mecanismos de bloqueo (Fig. 15). Asegúrese de que el cable rodee la última vuelta de la guía mirando hacia abajo por el poste (Fig. 16). Coloque el mecanismo de bloqueo en el canal de la viga superior lo más cerca posible del poste.



NOTA:

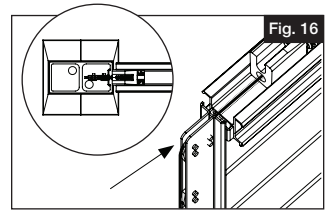
Si el anillo de resorte no está presente y el tensor está separado en 3 piezas. Simplemente alinee las piezas como se muestra y pase el cable como se indica. El tensado inicial asegurará el tensor.

9.

- Tense previamente el cable en la guía A y B jalando a mano toda la holgura posible a través del bloqueador (Fig. 17). Asegúrese de que el cable rodee la última vuelta de la guía mirando hacia abajo por el poste (Fig. 16).

NOTA:

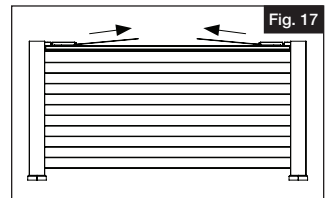
ESTE PASO ES DETERMINANTE PARA CONSEGUIR UNA TENSIÓN DE ACABADO ADECUADA. TIRAR CON FUERZA.



El uso de un guante puede ayudar durante el pretensado. Asegúrese de que el cable está centrado en la guía del cable mientras jala con fuerza (Fig. 16).

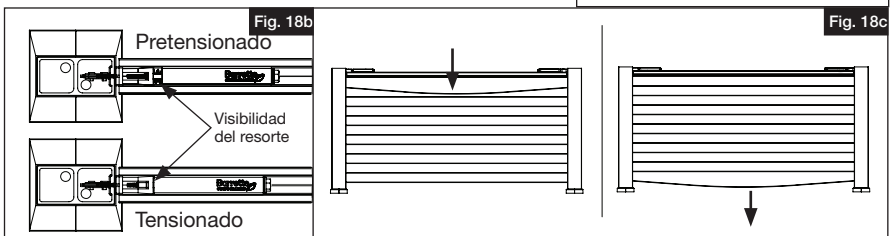
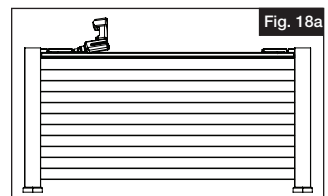
10.

Utilice un destornillador de impacto o un taladro eléctrico para apretar los tensores. Utilice una llave de vaso de $\frac{5}{16}$ para apretar el perno del extremo del bloqueador (Fig. 18a). Realice esta operación en los dos bloqueadores de cada poste hasta que el resorte deje de verse (Fig. 18b) (tensión inicial completada). Complete este paso en todas las secciones.



11.

Tensión final. Empuje la fila superior del cable con firmeza hacia abajo. El resorte cerca de la guía del cable A debería verse de nuevo. Utilizando su taladro y una llave de vaso de $\frac{5}{16}$ ", tense el perno hasta que el resorte deje de verse (Fig 18c). Realice el mismo procedimiento en la guía del cable B, pero en este caso, empuje la fila inferior del cable para aflojar el resorte.

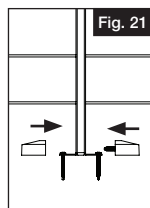
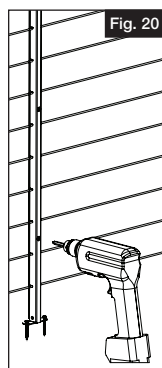
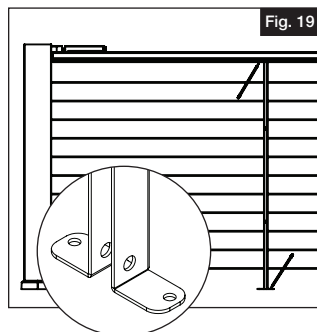


12. Corte el exceso de cable dejando aproximadamente 12" de cada guía. Este exceso permanecerá en el canal de la viga superior.

13. Barrote de soporte intermedio. Ubique la parte central de su sección. Coloque el soporte intermedio en el centro del tramo. Marque 2 agujeros superiores y 2 inferiores. La parte inferior del soporte intermedio puede identificarse por un agujero cerca de su base (Fig. 19). Retire el soporte y taladre con una broca de $\frac{1}{8}$ ". Vuelva a colocar el soporte en la parte central del tramo y fíjelo con los tornillos incluidos. Alinee la cubierta del soporte intermedio con éste y fíjela con tornillos de cabeza plana (Fig. 20). Los tornillos de $\frac{3}{4}$ " se fijan en la viga superior y los de $1\frac{1}{2}$ " en la superficie de la plataforma. Los agujeros en la parte exterior del soporte se alinearán con las tapas para unirlos. Utilice el tapón de fijación para insertarlo en una mitad del anillo decorativo del soporte intermedio. Coloque ambas mitades en la parte inferior del soporte y empújelas (Fig. 21).

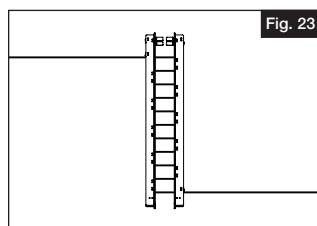
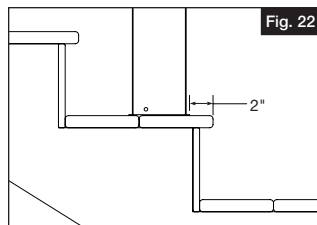
14. Tome la medida del paso 7 y reste $\frac{1}{4}$ " ($X-\frac{1}{4}$ "). Corte el travesaño superior a esa medida. Coloque el travesaño cortado sobre la viga y encájelo en su sitio utilizando un mazo de goma si es necesario.

15. Coloque las tapas de los postes finales, intermedios y esquineros adecuadas en la parte superior de cada poste y presione o golpee en su lugar con un mazo de goma si es necesario.



Instalación en escaleras

- 1.**
- Determine la ubicación del poste. Puede haber un máximo de 5 contrahuellas entre los postes. Las chapas base de los postes deben colocarse a 2" de la saliente de la escalera (Fig. 22). Instale los postes siguiendo las instrucciones de la sección de barandal plano.
 - Saque el conjunto de la guía del cable para barandal plano del paquete. Coloque el conjunto en el suelo cerca de los postes en los que se insertará. Desenrolle completamente cada bucle de cable para que estén libres de torceduras. Deje que los cables queden planos y rectos en el suelo (Fig. 23).

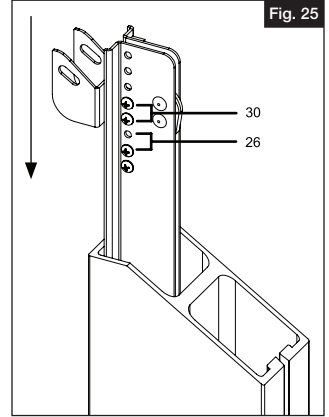
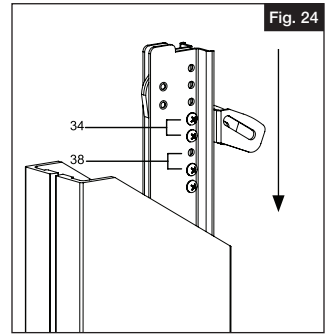


2.

Planificación para un poste a media escalera:

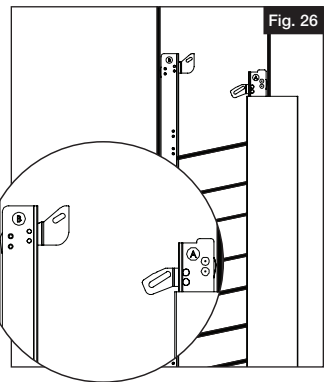
Si sus escaleras tendrán un poste intermedio, se pueden hacer ajustes a la altura de la abrazadera para adaptar mejor los ángulos. Si no hay poste intermedio, NO es necesario ningún ajuste y puede saltar al Paso 3.

- Si el ángulo de su escalera es de 31 a 33 grados, NO es necesario ajustar las abrazaderas.
- Si el ángulo de su escalera es de 34 a 38 grados, la abrazadera A de la guía del cable, en la parte inferior del poste intermedio, deberá bajarse. Consulte la (Fig. 24) para ver el posicionamiento. Retire los 2 tornillos que sostienen la abrazadera en su lugar. Ajuste en la posición correcta, vuelva a colocar los tornillos y apriételos con un destornillador para evitar que queden demasiado apretados.
- Si el ángulo de su escalera es de 26 a 30 grados, la abrazadera B de la guía del cable, en la parte superior del poste intermedio, deberá bajarse. Consulte la (Fig. 25) para ver el posicionamiento. Retire los 2 tornillos que sostienen la abrazadera en su lugar. Ajuste en la posición correcta, vuelva a colocar los tornillos y apriételos con un destornillador para evitar que queden demasiado apretados.



3.

Identifique la guía del cable para escalera A. Esta guía se insertará primero en el poste superior de la escalera (arriba). Deslice el conjunto de la guía del cable A en el poste. El soporte debería de estar en la parte superior y la parte inferior de la guía debe tocar la base del poste. El cable se deslizará por el poste a través de la ranura abierta en el costado del poste. Asegúrese de que el cable sobrante salga por la parte superior del poste (Fig. 26).



4.

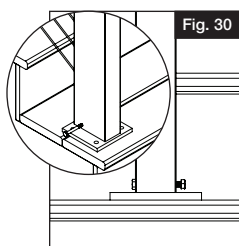
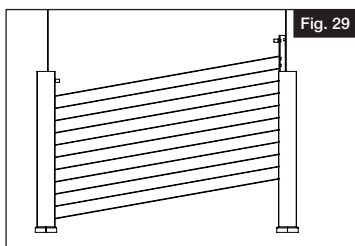
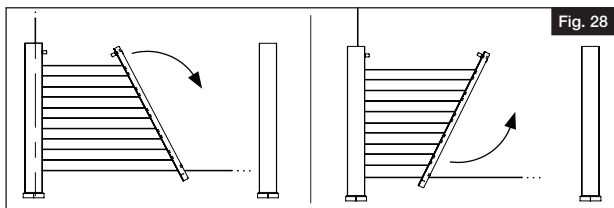
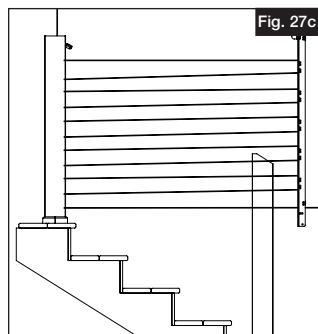
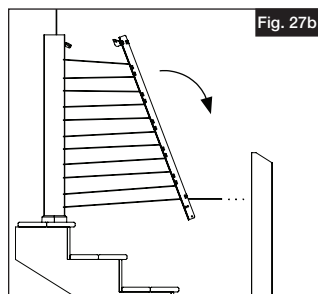
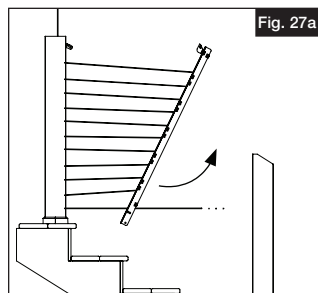
- a. Mientras sujeta la guía del cable B, utilice un movimiento de vaivén para tensar el cable y pasar la guía B hacia el poste inferior. Hágalo hasta que la guía rebase el poste inferior (Fig. 27).

NOTA:

La guía B tiene un agujero cerca de la parte inferior. Esto se utiliza en el siguiente paso.

Asegúrese de que quede una cantidad igual de cable sobrante en ambas guías (Fig. 28). Tenga cuidado de no jalar toda la holgura en una sola guía. Si es necesario, puede redistribuir la holgura aflojando los cables en la mitad de la sección y jalando el exceso en la dirección necesaria.

- b. Inserte la guía del cable B en el canal del segundo poste asegurándose de que el cable sobrante suba y salga por la parte superior del poste (Fig. 29). Asegúrese de que la guía B está en la parte inferior del poste e inserte el perno a través del agujero taladrado en el poste inferior de la escalera. Atornille y apriete la tuerca (Fig. 30).



- 5.** a. Sujete la viga superior con pinzas en el costado de los postes de la escalera alineándola con los soportes. Marque la viga en los postes (Fig. 31). Corte la viga superior en esa marca y en ese ángulo.

NOTA:

La parte superior de la viga tiene el canal abierto más grande. Asegúrese de que la viga está orientada de la forma correcta antes de sujetar, marcar y cortar.

- b. Coloque la viga entre los postes y presione sobre los soportes. Utilice los tornillos de cabeza hexagonal suministrados y fije un tornillo en el extremo de la viga en cada poste (uno en el poste superior y otro en el inferior). Utilice la línea grabada en la viga como guía para su tornillo. El tornillo debe estar sobre la línea y aproximadamente a $\frac{1}{2}$ " del extremo de la viga (Fig. 32).

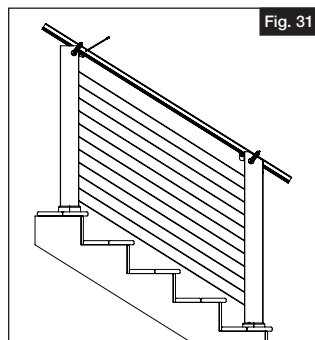


Fig. 31

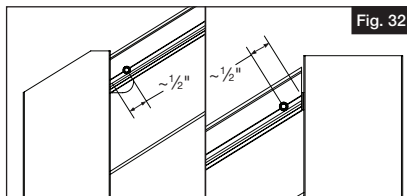


Fig. 32

- 6.** a. Pase el cable por el resorte de tensión B y el tensor. Coloque el resorte de tensión B y el tensor en la viga superior en el poste inferior (Fig. 33).

NOTA:

Se trata de piezas independientes. Pase el cable por el bloque y el resorte primero, y luego por el tensor.

- b. Asegúrese de que el cable rodee la última vuelta de la guía mirando hacia abajo por el poste (Fig. 34). Jale toda la holgura a través del tensor. Asegúrese también de que el resorte de tensión permanezca en su lugar en la viga en el poste antes de jalar con fuerza.
- c. Localice el resorte de tensión A y repita el paso 5 en la parte superior de la escalera.

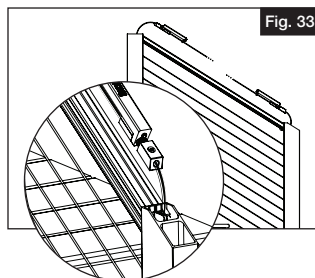


Fig. 33

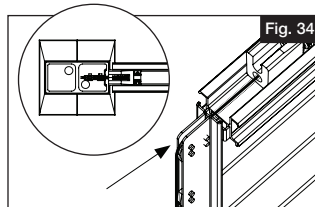


Fig. 34

7. Balaustre de soporte intermedio.

- a. Identifique la colocación deseada del soporte central en el peldaño de la escalera. Mida desde ese punto hasta la parte inferior de la viga superior (Fig. 35).
- b. La parte superior del soporte intermedio puede identificarse por la flecha estampada en la pieza. Mida hacia abajo, desde la parte superior del soporte, la distancia medida en el paso a. Reste $\frac{1}{8}$ " y haga una marca. Fije temporalmente la cubierta del soporte al soporte y corte ambas piezas en esa marca. Retire la cubierta y coloque el soporte en el centro del vano; asegúrese de que los cables queden alineados con los orificios pretoquelados. Fije la tapa del soporte con 3 tornillos de cabeza plana.

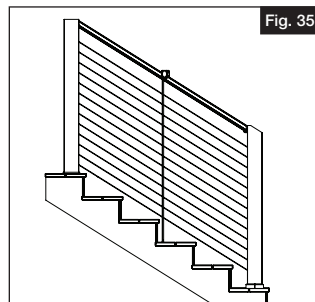
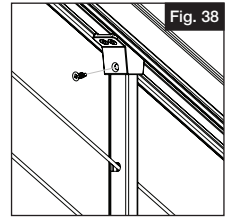
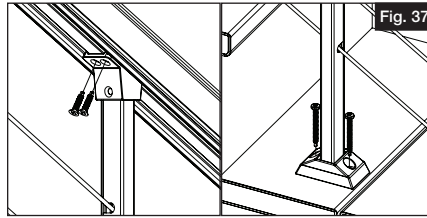
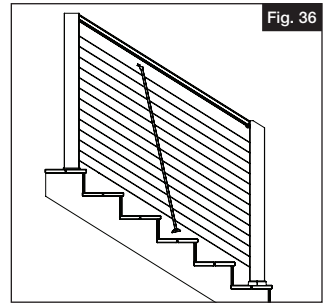
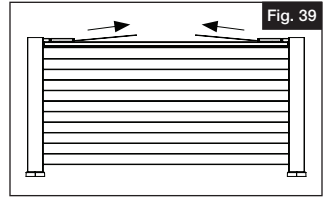


Fig. 35

- c. Gire el ensamblaje del soporte para poder colocar la abrazadera superior de soporte y el pie inferior de soporte (Fig. 36).
- d. Vuelva a colocar el soporte en la ubicación deseada e instale el ensamblaje. Utilizando los orificios de la abrazadera superior de soporte y el pie de soporte como guía, taladre previamente los orificios con una broca de $\frac{1}{8}$ ". Ajuste la abrazadera superior a la viga con dos tornillos del número 8 x $\frac{3}{4}$ ". Ajuste el pie de soporte con dos tornillos del número 8 x $1\frac{1}{2}$ " (Fig. 37).
- e. Ajuste la abrazadera superior de soporte al soporte con un tornillo del número 8 x $\frac{1}{2}$ " (Fig. 38).



- 8.** Tense previamente el cable en la guía A y B jalando a mano toda la holgura posible a través del bloqueador (Fig. 39). Asegúrese de que el cable rodee la última vuelta de la guía mirando hacia abajo por el poste (Fig. 38).

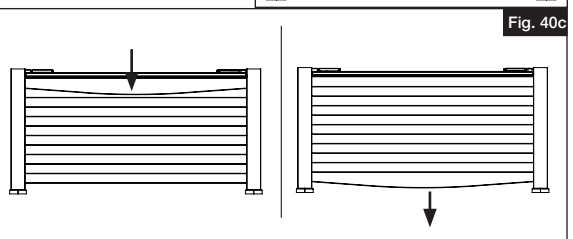
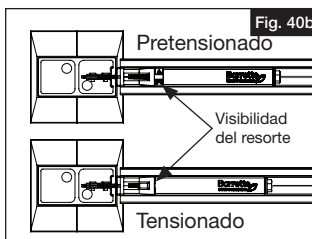
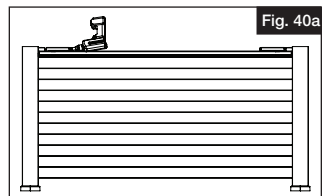


NOTA:

ESTE PASO ES DETERMINANTE PARA CONSEGUIR UNA TENSION DE ACABADO ADECUADA. TIRAR CON FUERZA.

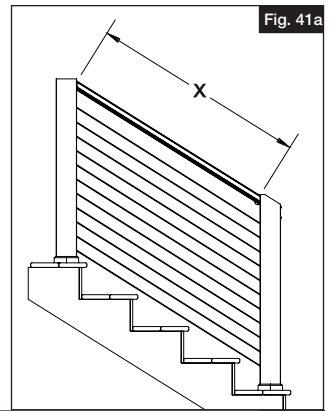
Este paso es determinante para conseguir una tensión de acabado adecuada. El uso de un guante puede ayudar durante el pretensado. Asegúrese de que el cable está centrado en la guía del cable mientras jala con fuerza (Fig. 38).

- 9.** Utilice un destornillador de impacto o un taladro eléctrico para apretar los tensores. Utilice una llave de vaso de $\frac{1}{16}$ " para apretar el perno del extremo del bloqueador (Fig. 40a). Realice esta operación en los dos bloqueadores de cada poste hasta que el resorte deje de verse. (Tensión inicial completa) (Fig. 40b). Complete este paso en todas las secciones.



- 10.** Tensión final. Empuje la fila superior del cable con firmeza hacia abajo. El resorte cerca de la guía del cable A debería verse de nuevo. Utilizando su taladro y una llave de vaso de $\frac{1}{16}$ ", tense el perno hasta que el resorte deje de verse. Realice el mismo procedimiento en la guía del cable B, pero empuje la fila inferior del cable para aflojar el resorte (Fig. 40c).

11. Corte el exceso de cable dejando aproximadamente 12" de cada guía. Este exceso permanecerá en el canal de la viga superior.

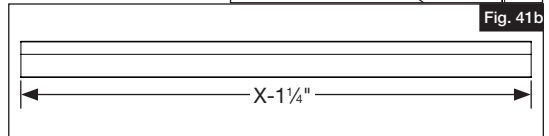


12. Mida la longitud de la parte superior de la viga superior (Fig. 41a). Reste 1¼" y corte el travesaño superior a esta dimensión (Fig. 41b).

NOTA:

Este es un corte recto, no en ángulo.

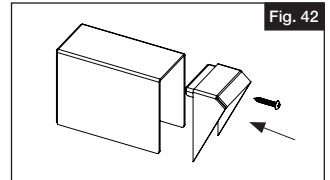
13. Coloque el travesaño cortado sobre la viga y encájelo en su sitio utilizando un mazo de goma si es necesario.



14. Coloque las tapas de los postes finales, intermedios y esquineros adecuadas en el poste y presione o golpee en su lugar con un mazo.

NOTA:

El poste de la parte superior de su escalera utilizará el adaptador de la tapa que se incluye con el poste inferior de la escalera. Sujételo a la tapa como se muestra en la (Fig. 42) antes de presionarlo en su lugar.



rdi 
RAILING

AN OLDCASTLE® APG OUTDOOR BRAND

RDI Railing
400 Perimeter Center Terrace Suite 1000, Atlanta, GA 30346
rdirail.com • 1-877-265-2220