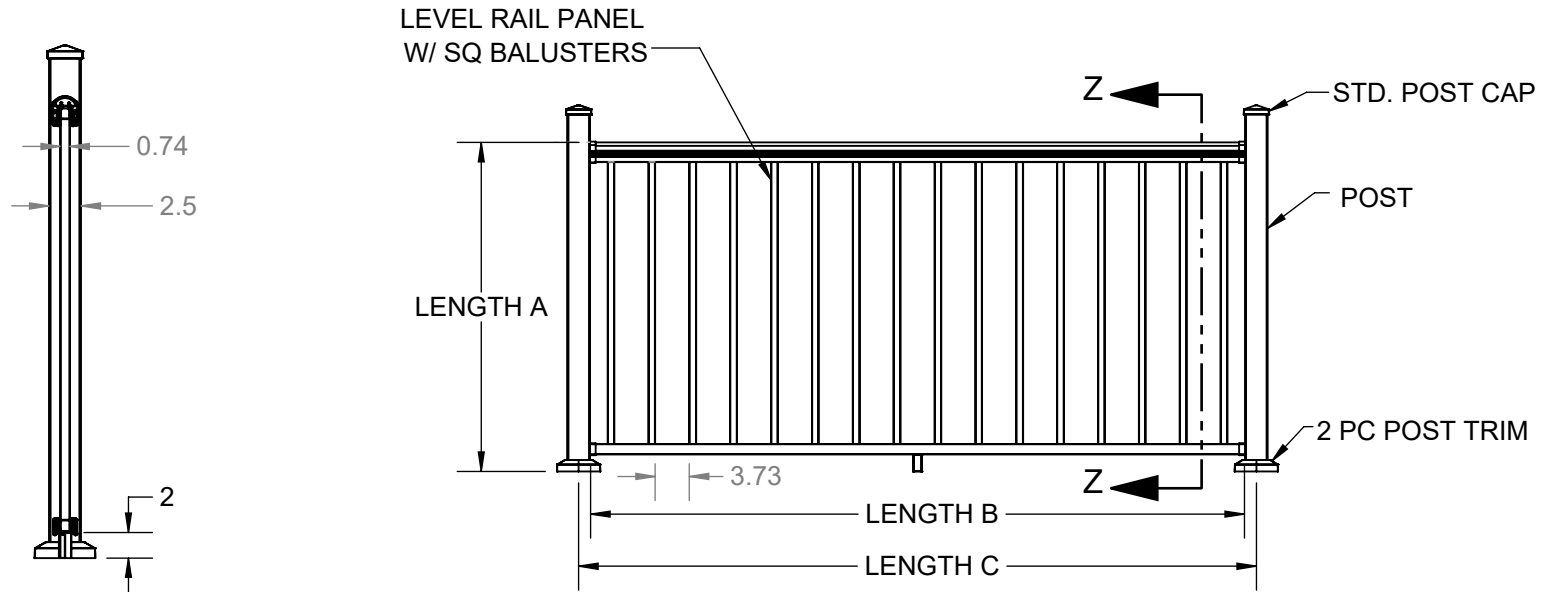
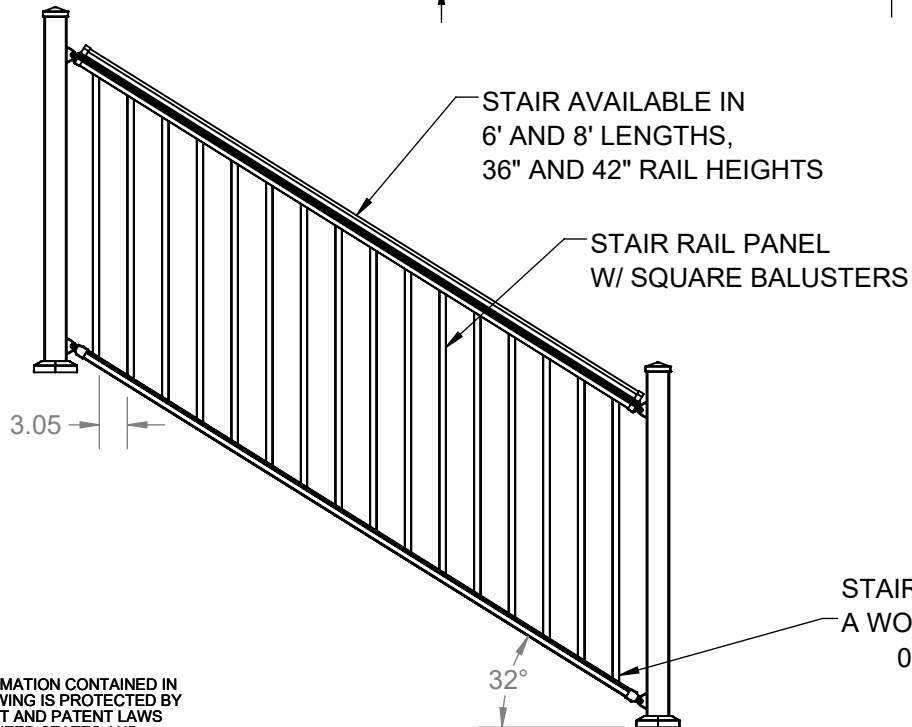


AVALON ALUMINUM RAIL AND BALUSTER DETAILS

SECTION Z-Z
SCALE 1 : 15



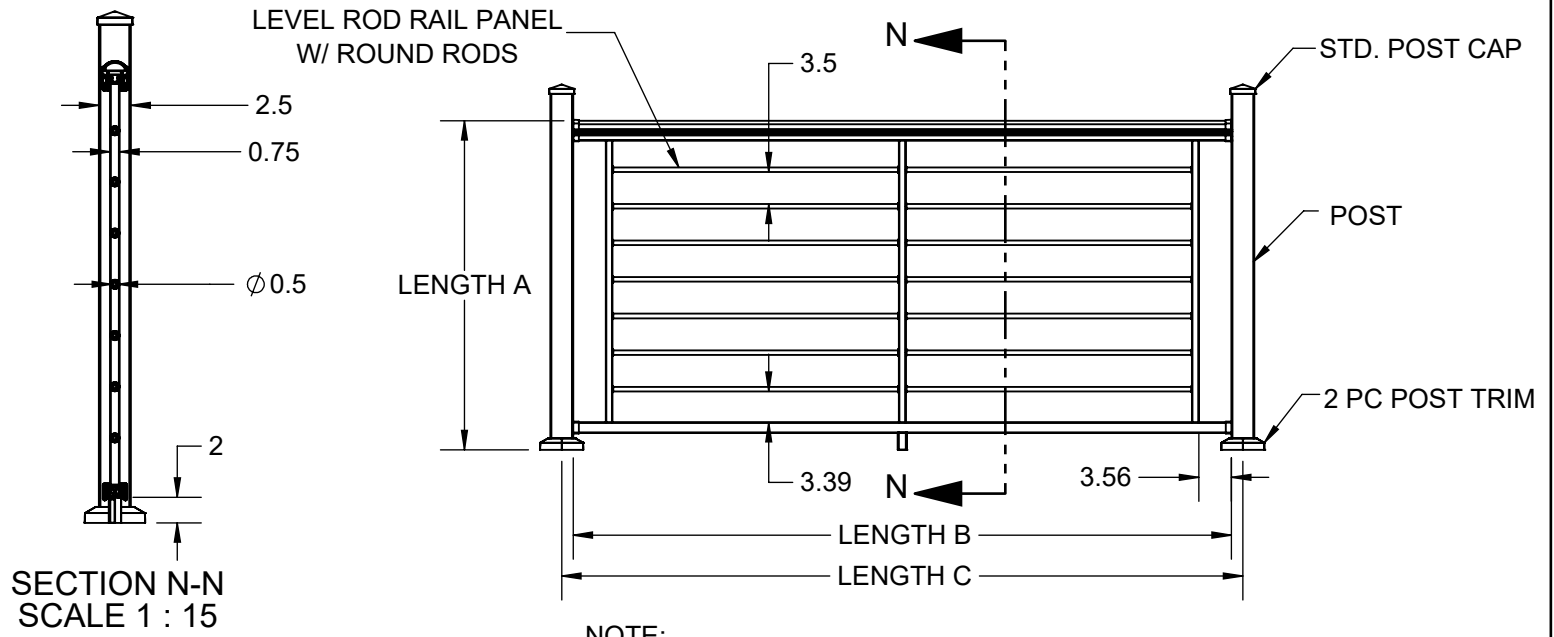
NOTE:
 (A) FINISHED RAIL HEIGHT = 36", 42"
 (B) PANEL LENGTH = 71.5", 95.5"
 (C) MAX IRC AND IBC SPANS = 98.5"X36", 98.5"X42"



THE INFORMATION CONTAINED IN THIS DRAWING IS PROTECTED BY COPYRIGHT AND PATENT LAWS OF THE UNITED STATES AND OTHER COUNTRIES. ANY REPRODUCTION IN PART OR AS A WHOLE WITHOUT WRITTEN PERMISSION IS PROHIBITED.

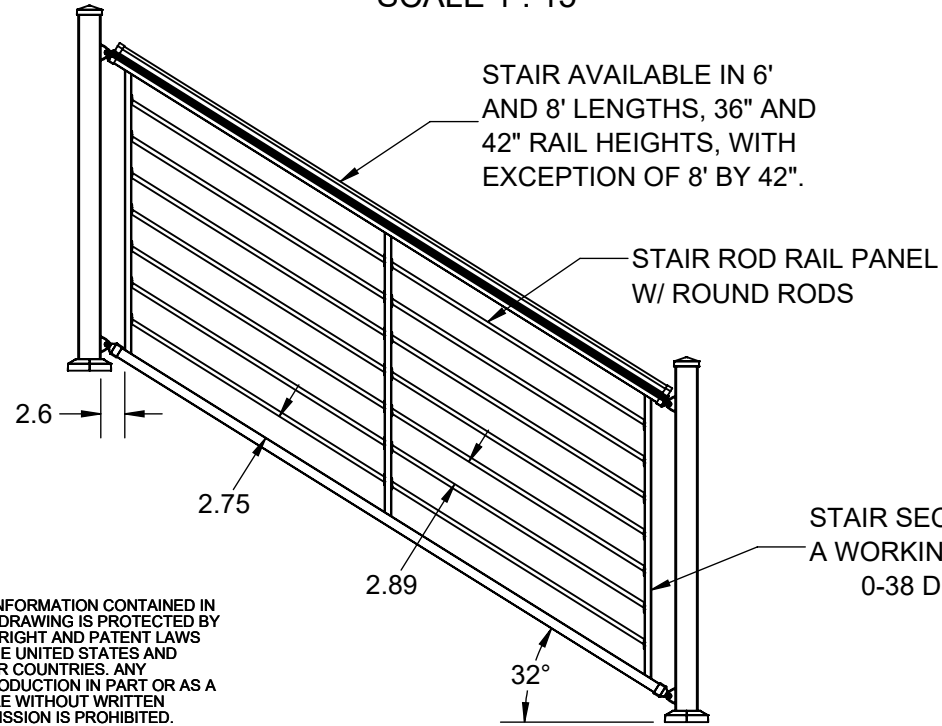
| | | |
|-------------------------------------------------|-----------------|-------------|
| Barrette OUTDOOR LIVING | | |
| DRAWN: CH | DATE: 6/16/2021 | APPROVED: |
| DESCRIPTION: AVALON LEVEL AND STAIR RAIL | | |
| SHEET 1 OF 18 | REVISION | PART NUMBER |
| SCALE 1:21 | | N/A |
| WEIGHT: N/A | | |

AVALON HORIZONTAL ROD RAIL DETAILS



SECTION N-N
SCALE 1 : 15

NOTE:
 (A) FINISHED RAIL HEIGHT = 36", 42"
 (B) PANEL LENGTH = 71.5", 95.5"
 - AVOID CUTTING TO LENGTHS BETWEEN 64.5" TO 67", 88.5" TO 91"
 (C) MAX IRC AND IBC SPANS = 98.5"X36", 98.5"X42"



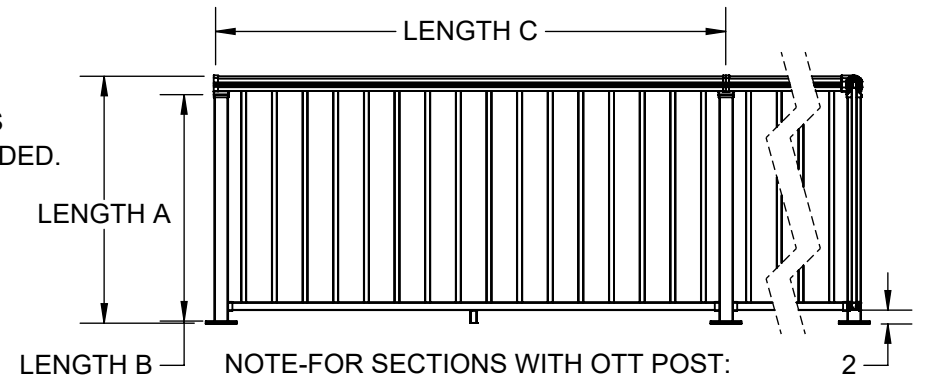
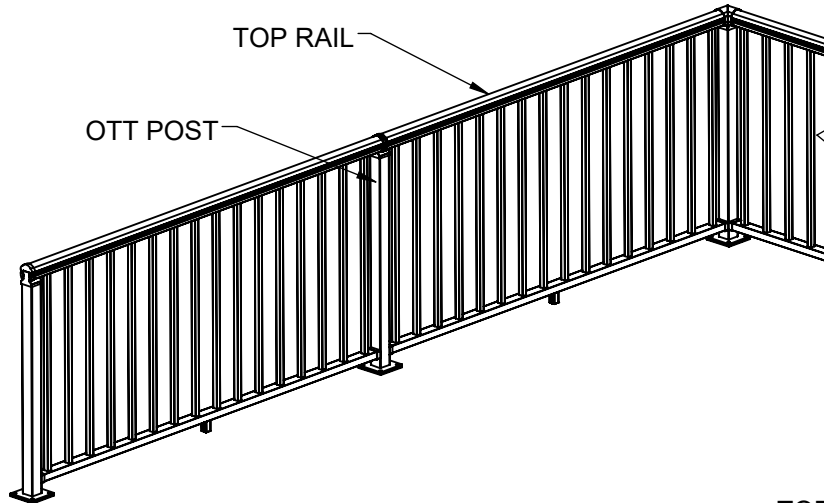
THE INFORMATION CONTAINED IN THIS DRAWING IS PROTECTED BY COPYRIGHT AND PATENT LAWS OF THE UNITED STATES AND OTHER COUNTRIES. ANY REPRODUCTION IN PART OR AS A WHOLE WITHOUT WRITTEN PERMISSION IS PROHIBITED.

| | | |
|--------------------------------------------------------|-----------------|-------------|
| Barrette OUTDOOR LIVING | | |
| DRAWN: CH | DATE: 6/16/2021 | APPROVED: |
| DESCRIPTION: AVALON LEVEL AND STAIR ROD RAIL | | |
| SHEET 2 OF 18 | REVISION | PART NUMBER |
| SCALE 1:21 | 0 | N/A |
| WEIGHT: N/A | | |

AVALON OVER THE TOP (OTT) LEVEL AND STAIR RAIL DETAILS

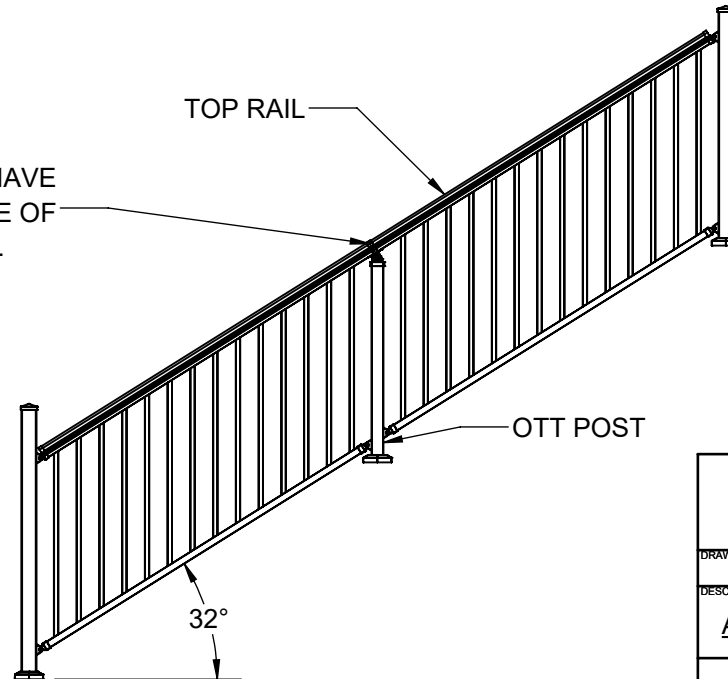
NOTE:

1. FOR LEVEL OTT, A TOP RAIL LONGER THAN PANEL LENGTH IS NEEDED.
- IRC COMPLIANT PANELS (RESIDENTIAL) ARE 6FT MAXIMUM APPLICATIONS
- IBC COMPLIANT PANELS (COMMERCIAL) ARE 5FT MAXIMUM APPLICATIONS
2. FOR STAIR OTT, A TOP RAIL AND PANEL LONGER THAN POST GAP IS NEEDED.



NOTE-FOR SECTIONS WITH OTT POST:
 (A) FINISHED RAIL HEIGHT = 36", 42"
 (B) POST HEIGHT = 33", 39"
 (C) MAX IRC SPAN = 72"X36", MAX IBC SPAN = 60"X42"

STAIR SECTIONS HAVE
 A WORKING RANGE OF
 0-38 DEGREES.

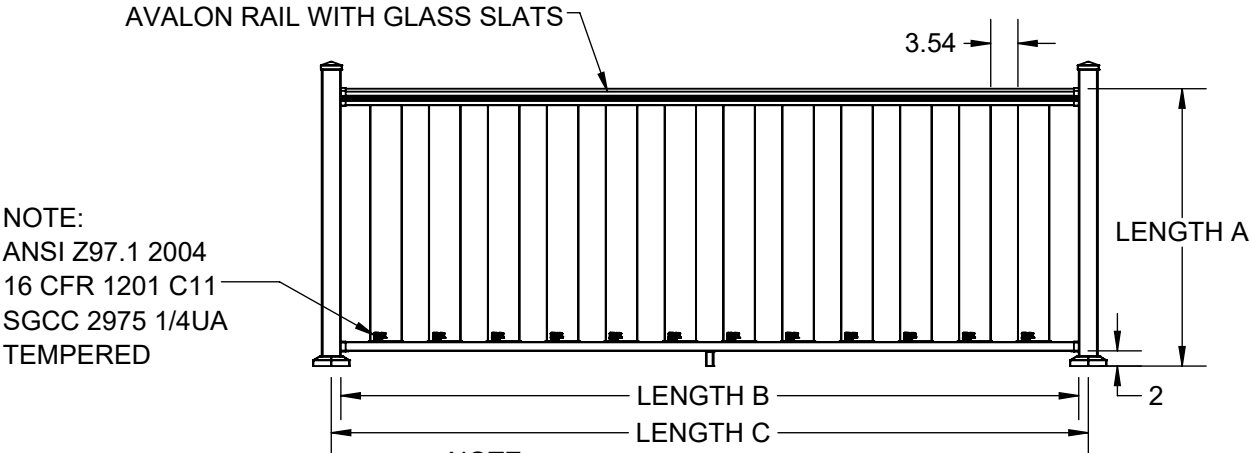


THE INFORMATION CONTAINED IN THIS DRAWING IS PROTECTED BY COPYRIGHT AND PATENT LAWS OF THE UNITED STATES AND OTHER COUNTRIES. ANY REPRODUCTION IN PART OR AS A WHOLE WITHOUT WRITTEN PERMISSION IS PROHIBITED.

| | | |
|--------------------------------------------------------|-----------------|-------------|
| | | |
| DRAWN: CH | DATE: 6/16/2021 | APPROVED: |
| DESCRIPTION: AVALON OVER THE TOP AND GLASS RAIL | | |
| SHEET 3 OF 18 | REVISION | PART NUMBER |
| SCALE 1:28 | 0 | N/A |
| WEIGHT: N/A | | |

AVALON GLASS LEVEL RAIL DETAILS

NOTE:
1. NO STAIRS AVAILABLE FOR AVALON GLASS.

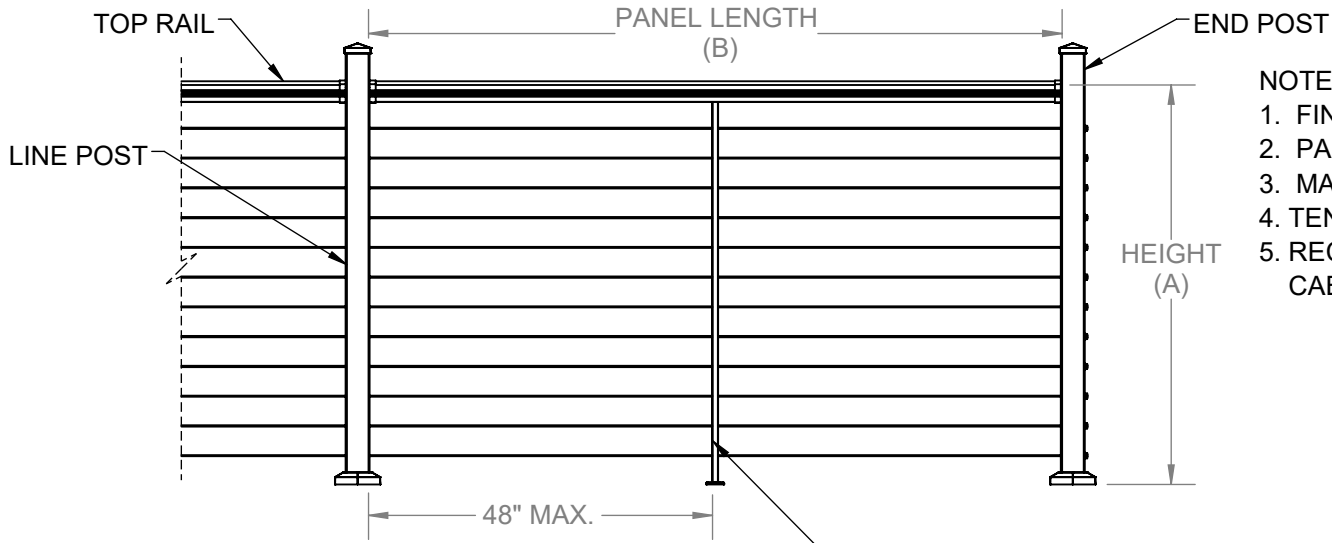


NOTE:
(A) FINISHED RAIL HEIGHT = 36", 42"
(B) PANEL LENGTH = 71.5", 95.5"
(C) MAX SPANS = 98.5X36" IRC, 98.5X42" IBC

THE INFORMATION CONTAINED IN THIS DRAWING IS PROTECTED BY COPYRIGHT AND PATENT LAWS OF THE UNITED STATES AND OTHER COUNTRIES. ANY REPRODUCTION IN PART OR AS A WHOLE WITHOUT WRITTEN PERMISSION IS PROHIBITED.

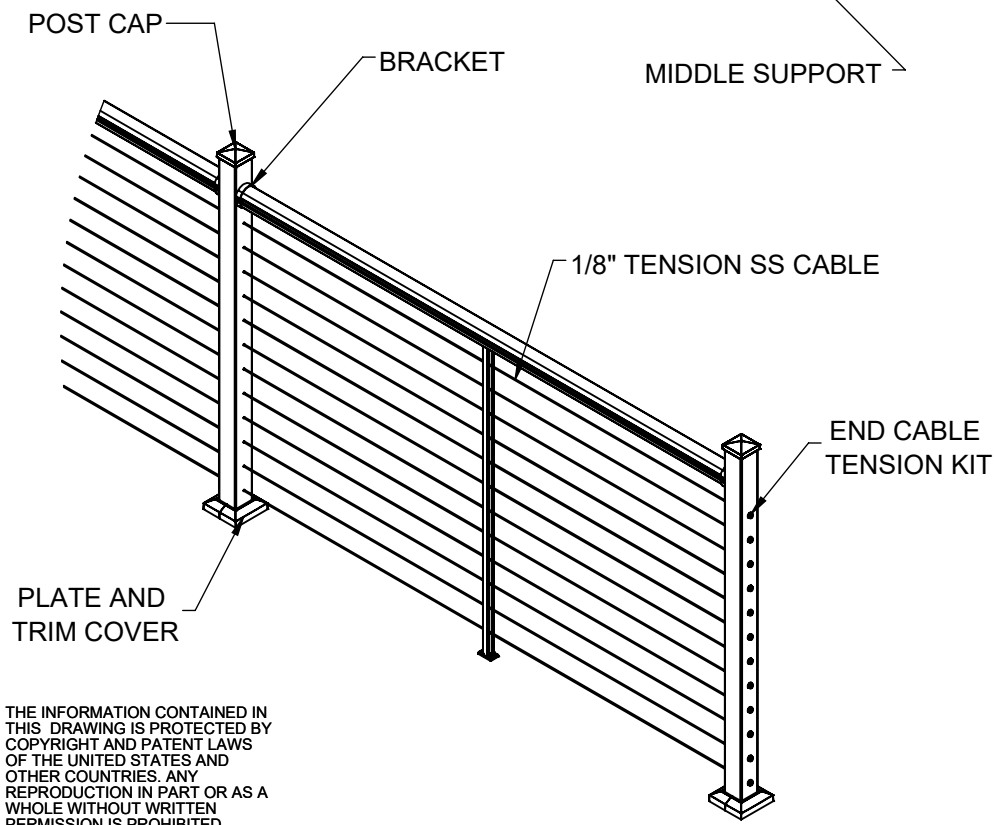
| | | |
|------------------------------------------|-----------------|-------------|
| Barrette OUTDOOR LIVING | | |
| DRAWN: CH | DATE: 6/16/2021 | APPROVED: |
| DESCRIPTION: AVALON GLASS RAIL | | |
| SHEET 4 OF 18 | REVISION | PART NUMBER |
| SCALE 1:25 | | N/A |
| WEIGHT: N/A | | |

CABLE RAILING PANEL-DETAILS

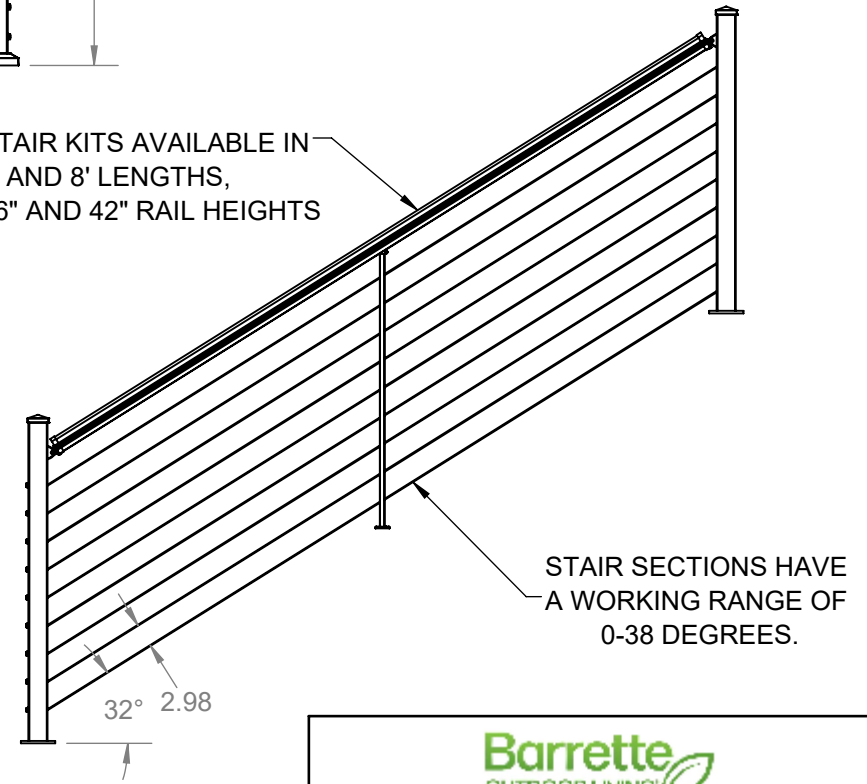


NOTE:

1. FINISHED RAIL HEIGHT (A) = 36", 42"
2. PANEL LENGTH (B) = 71.5", 95.5"
3. MAX PANEL SIZE = 96X36" IRC, 96X42" IBC
4. TENSION CABLE TO PREVENT PASSING 4" SPHERE.
5. RECOMMENDED PULLING FORCE FROM CABLE MANUFACTURER 225 LBS



STAIR KITS AVAILABLE IN 6' AND 8' LENGTHS, 36" AND 42" RAIL HEIGHTS

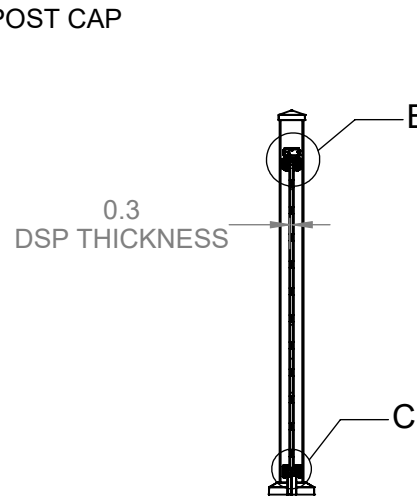
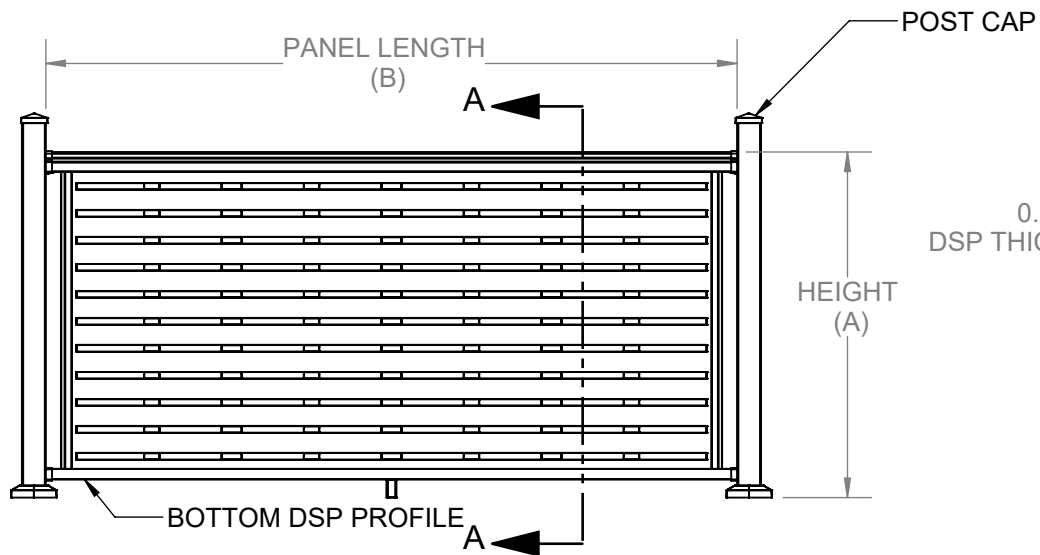


THE INFORMATION CONTAINED IN THIS DRAWING IS PROTECTED BY COPYRIGHT AND PATENT LAWS OF THE UNITED STATES AND OTHER COUNTRIES. ANY REPRODUCTION IN PART OR AS A WHOLE WITHOUT WRITTEN PERMISSION IS PROHIBITED.

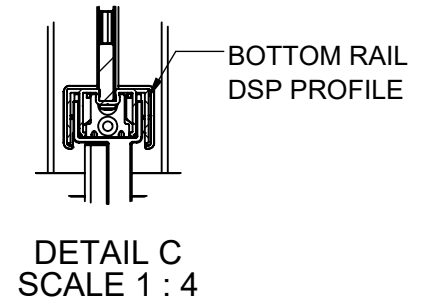
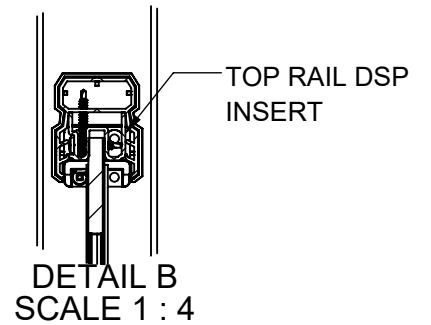
| | | |
|------------------------------------------------|-----------------|-------------|
| Barrette OUTDOOR LIVING! | | |
| DRAWN: CH | DATE: 6/16/2021 | APPROVED: |
| DESCRIPTION: CABLE RAILING - DETAILS | | |
| SHEET 5 OF 18 | REVISION | PART NUMBER |
| SCALE 1:25 | | N/A |
| WEIGHT: N/A | | |

RAILING WITH DISPLAY PANEL (DSP)-DETAILS

RAILING WITH 3X6 DISPLAY PANEL-DETAILS



SECTION A-A



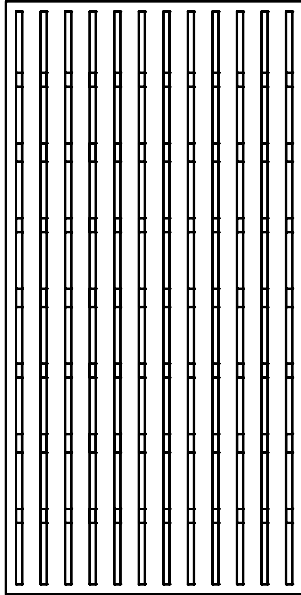
NOTE:

1. FINISHED RAIL HEIGHT (A) = 36"
2. PANEL LENGTH (B) = 71.5"
3. MAX PANEL SIZE = 71.5"X36" IRC
4. 3X6 DSP SIZE = 34" X 68"
5. 2X4 DSP SIZE = 23 7/8" X 47 7/8"

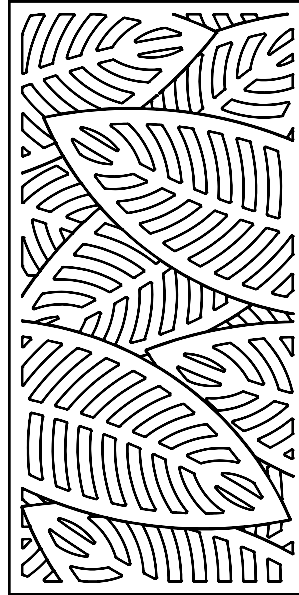
THE INFORMATION CONTAINED IN THIS DRAWING IS PROTECTED BY COPYRIGHT AND PATENT LAWS OF THE UNITED STATES AND OTHER COUNTRIES. ANY REPRODUCTION IN PART OR AS A WHOLE WITHOUT WRITTEN PERMISSION IS PROHIBITED.

| | | |
|-------------------------------------------------------|-----------------|-------------|
| Barrette OUTDOOR LIVING | | |
| DRAWN: CH | DATE: 6/16/2021 | APPROVED: |
| DESCRIPTION: RAILING WITH DSP INFILL - DETAILS | | |
| SHEET 6 OF 18 | REVISION | PART NUMBER |
| SCALE 1:20 | | N/A |
| WEIGHT: N/A | | |

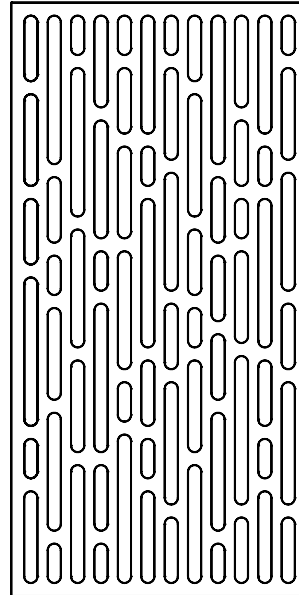
3X6 DSP SCREENS



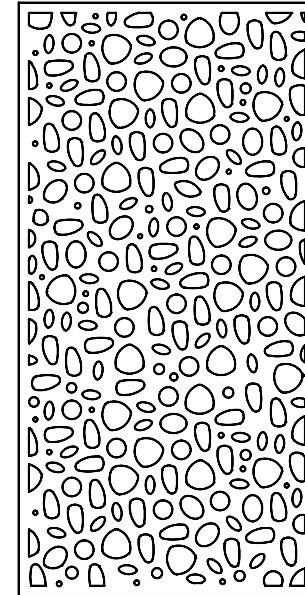
3X6 BOARDWALK



3X6 SANIBEL



3X6 OPTIC




3X6 RIVER ROCK

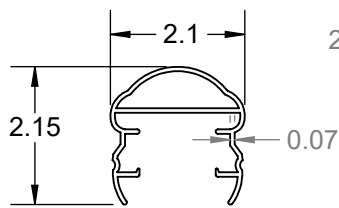
NOTE:

1. 3X6 DSP SIZE = 34" X 68"
2. THICKNESS = .3"

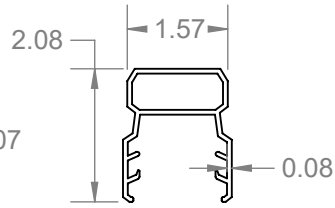
THE INFORMATION CONTAINED IN THIS DRAWING IS PROTECTED BY COPYRIGHT AND PATENT LAWS OF THE UNITED STATES AND OTHER COUNTRIES. ANY REPRODUCTION IN PART OR AS A WHOLE WITHOUT WRITTEN PERMISSION IS PROHIBITED.

| | | | |
|---------------------------------------------------------------------------------------|----|----------|-------------|
|  | | | |
| DRAWN: | CH | DATE: | 04/25/2022 |
| APPROVED: | | | |
| DESCRIPTION: DSP DETAIL | | | |
| SHEET 7 OF 18 | | REVISION | PART NUMBER |
| SCALE 1:22 | | 0 | N/A |
| WEIGHT: N/A | | | |

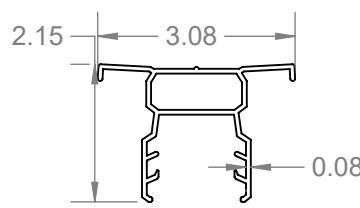
TOP AND BOTTOM RAIL



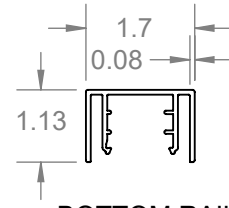
PELLINORE TOP RAIL



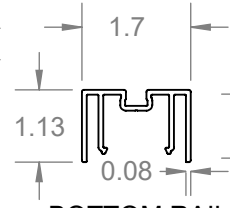
TRISTAN TOP RAIL



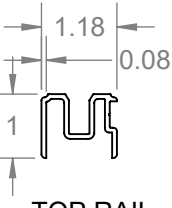
OBERON TOP RAIL
(SEE NOTE 1.)



BOTTOM RAIL

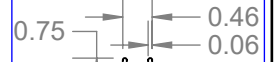


BOTTOM RAIL DSP PROFILE



TOP RAIL DSP INSERT

DSP VERTICAL PROFILES



"H" CONNECTOR

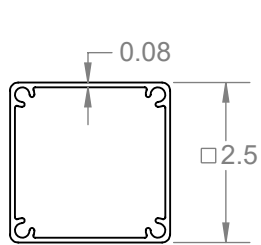


"U" END CHANNEL

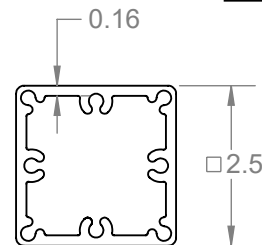
NOTE:

1. A DECK BOARD MUST BE USED WHEN INSTALLING OBERON.
2. BRACKET COVERS ARE INCLUDED WITH TOP RAIL.

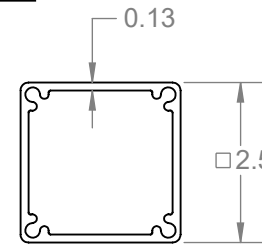
POSTS



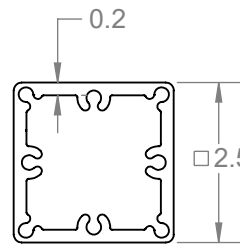
AVALON POST RESIDENTIAL/CABLE RAILING LINE POST-RESIDENTIAL



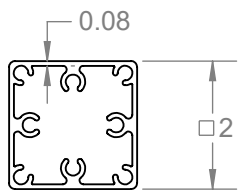
AVALON HD POST/CABLE RAILING LINE POST



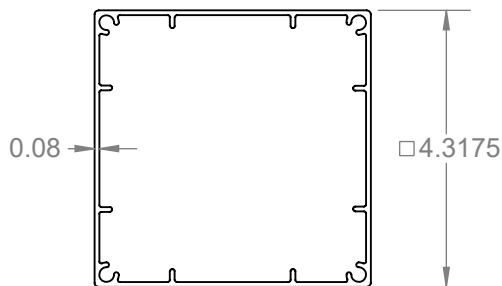
CORNER POST FOR CABLE RAILING



END POST FOR CABLE RAILING

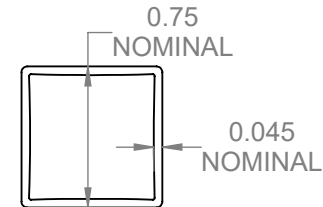


AVALON OTT POST

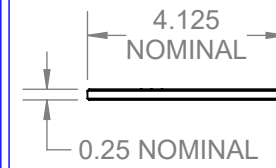


AVALON AR POST

BALUSTERS

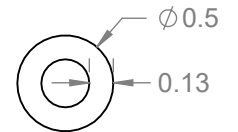


SQ. BALUSTER

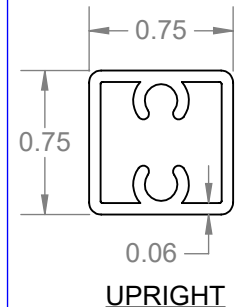


GLASS SLAT

HORIZONTAL ROD INFILL



ROUND ROD



UPRIGHT

1. AVALON POST RESIDENTIAL recommended for Residential applications (any width).
2. AVALON HD POST/CABLE RAILING LINE POST recommended for Commercial applications - not wider than 8ft.
3. END POST FOR CABLE RAILING recommended for cable railing applications - end post only.
4. CORNER POST FOR CABLE RAILING recommended for cable railing applications - corner post only.
5. AVL OTT POST recommended for Residential - 6ft wide applications and Commercial - 5ft applications.
6. AVL AR POST can be used on any Residential or Commercial applications.

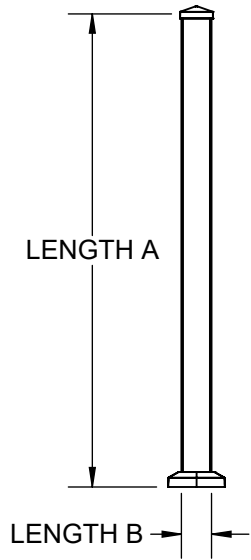
THE INFORMATION CONTAINED IN THIS DRAWING IS PROTECTED BY COPYRIGHT AND PATENT LAWS OF THE UNITED STATES AND OTHER COUNTRIES. ANY REPRODUCTION IN PART OR AS A WHOLE WITHOUT WRITTEN PERMISSION IS PROHIBITED.



| | | |
|------------------------------|-----------------|-------------|
| DRAWN: CH | DATE: 1/22/2021 | APPROVED: |
| DESCRIPTION: AVALON PROFILES | | |
| SHEET 8 OF 18 | REVISION | PART NUMBER |
| SCALE 1:3 | 0 | N/A |
| WEIGHT: N/A | | |

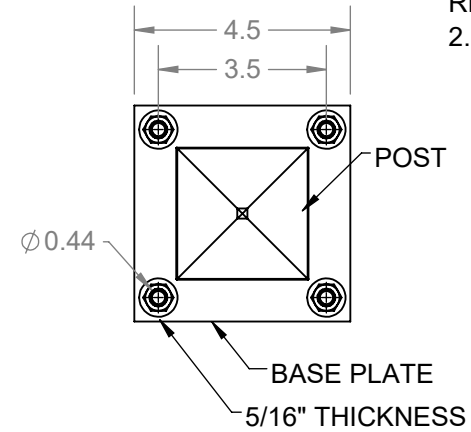
AVALON POST AND SURFACE MOUNT DETAILS

NOTE: IMAGES ONLY REFERENCE 2" AND 2.5" POSTS.



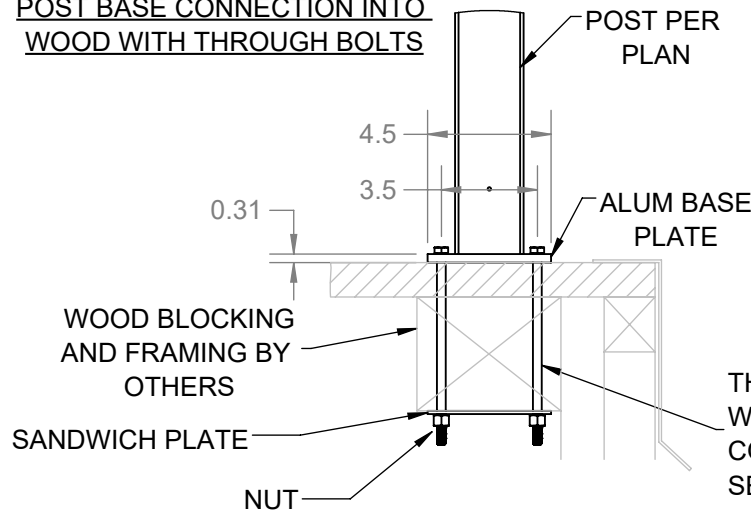
| POSTS | LENGTH A | LENGTH B |
|-----------|----------|----------|
| STD. POST | 39" | 2.50" |
| STD. POST | 45" | 2.50" |
| STD. POST | 60" | 2.50" |
| HD. POST | 45" | 2.50" |
| HD. POST | 60" | 2.50" |
| OTP. POST | 33" | 2.00" |
| OTP. POST | 39" | 2.00" |
| AR. POST | 39" | 4.32" |
| AR. POST | 45" | 4.32" |
| AR. POST | 108" | 4.32" |

NOTE:
2.5" POSTS INCLUDE FACTORY MOUNTED BASE PLATE, TWO PICE TRIM, POST CAP, AND LEVELING SHIMS.
4.3125" POST SOLD SEPARATELY AS COMPONENTS.



POST BASE CONNECTION INTO CONCRETE WITH WEDGE ANCHORS

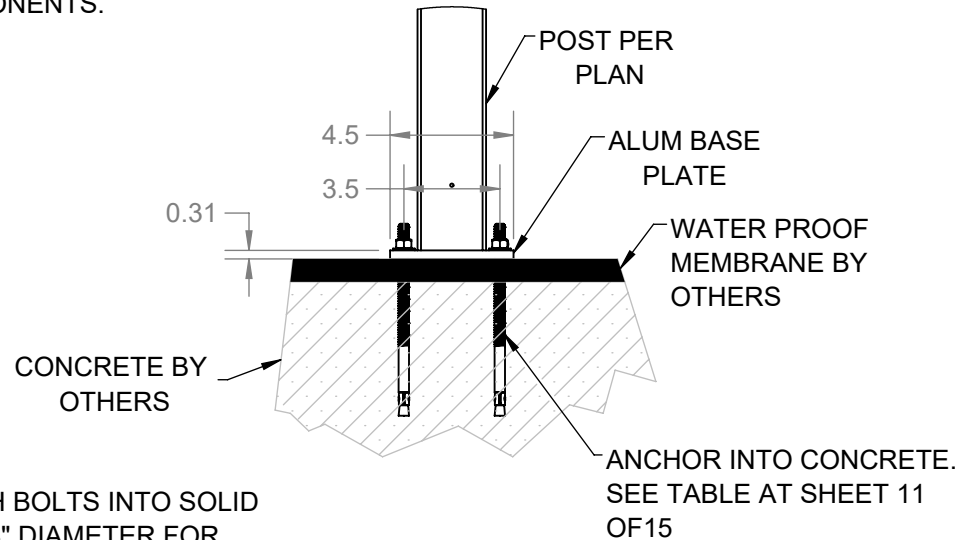
POST BASE CONNECTION INTO WOOD WITH THROUGH BOLTS



THROUGH BOLTS INTO SOLID WOOD 3/8" DIAMETER FOR COMMERCIAL APPLICATIONS SEE TABLE AT SHEET 8 OF 12

NOTE:

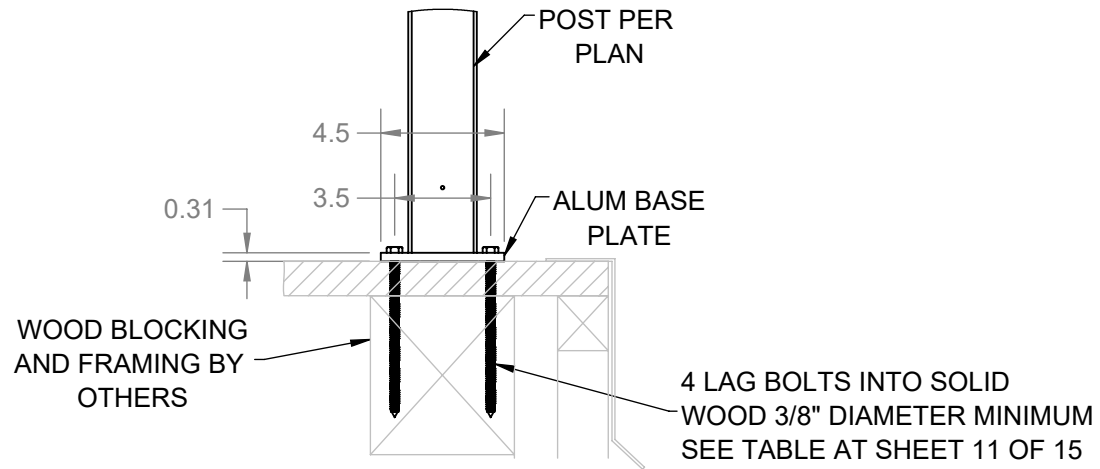
1. COMMERCIAL APPLICATIONS ARE ALWAYS BOLTED, USE 3/8" DIAMETER A307 THROUGH BOLTS INTO SOLID WOOD BLOCKING.
2. WOOD BLOCKING BY OTHERS.
3. BLOCKING MUST BE DESIGNED TO WITHSTAND PROPER LOADING.



THE INFORMATION CONTAINED IN THIS DRAWING IS PROTECTED BY COPYRIGHT AND PATENT LAWS OF THE UNITED STATES AND OTHER COUNTRIES. ANY REPRODUCTION IN PART OR AS A WHOLE WITHOUT WRITTEN PERMISSION IS PROHIBITED.

| | |
|---------------------------------------------------|------------------------|
| Barrette OUTDOOR LIVING | |
| DRAWN: CH | DATE: 5/5/2020 |
| DESCRIPTION: AVALON POST AND SURFACE MOUNT | |
| DETAIL | |
| SHEET 9 OF 18 | REVISION PART NUMBER |
| SCALE 1:16 | 0 |
| WEIGHT: N/A | N/A |

AVALON POST AND SURFACE MOUNT DETAILS



POST BASE CONNECTION INTO
WOOD WITH LAG BOLTS

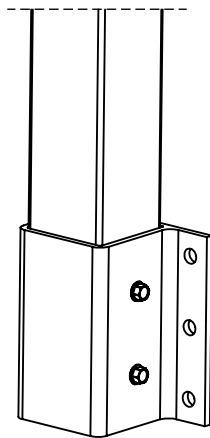
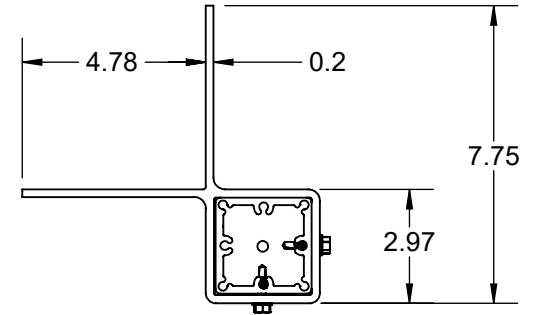
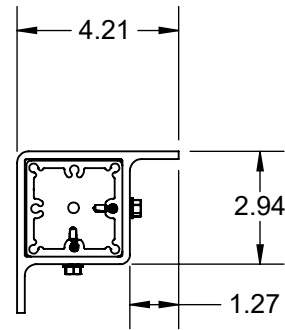
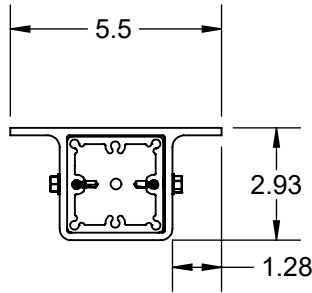
NOTE:

1. WOOD BLOCKING BY OTHERS.
2. BLOCKING MUST BE DESIGNED TO WITHSTAND PROPER LOADING.

THE INFORMATION CONTAINED IN THIS DRAWING IS PROTECTED BY COPYRIGHT AND PATENT LAWS OF THE UNITED STATES AND OTHER COUNTRIES. ANY REPRODUCTION IN PART OR AS A WHOLE WITHOUT WRITTEN PERMISSION IS PROHIBITED.

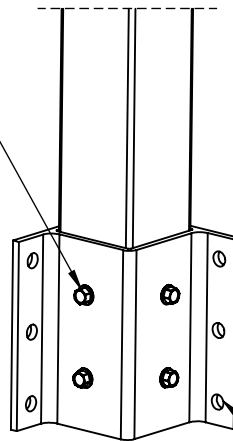
| | | |
|---------------------------------------------------|----------------|-------------|
| Barrette OUTDOOR LIVING | | |
| DRAWN: CH | DATE: 5/5/2020 | APPROVED: |
| DESCRIPTION: AVALON POST AND SURFACE MOUNT | | |
| DETAIL | | |
| SHEET 10 OF 18 | REVISION | PART NUMBER |
| SCALE 1:16 | | N/A |
| WEIGHT: N/A | | |

FASCIA MOUNT DETAILS



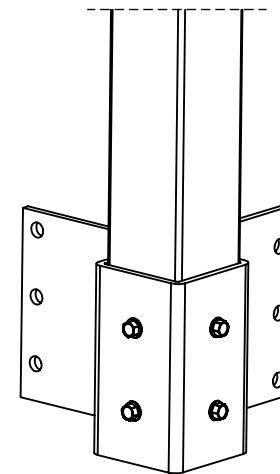
LINE POST / END POST
BRACKET

4X #14 SCREW



INSIDE CORNER POST
BRACKET

SEE TABLE AT
SHEET 11 OF 15
FOR ANCHOR
SCHEDULE



OUTSIDE CORNER POST
BRACKET

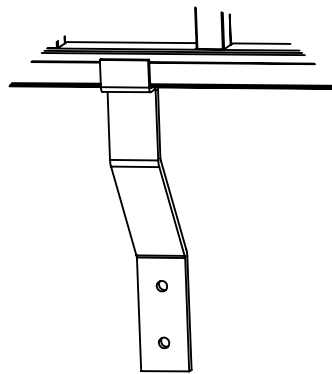
NOTES:

- 1) BRACKETS NOT INCLUDED WITH FASCIA, SOLD SEPARATELY.

THE INFORMATION CONTAINED IN THIS DRAWING IS PROTECTED BY COPYRIGHT AND PATENT LAWS OF THE UNITED STATES AND OTHER COUNTRIES. ANY REPRODUCTION IN PART OR AS A WHOLE WITHOUT WRITTEN PERMISSION IS PROHIBITED.

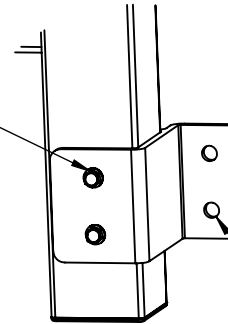
| | | |
|--------------------------------------------|-----------------|-------------|
| Barrette OUTDOOR LIVING | | |
| DRAWN: CH | DATE: 3/16/2021 | APPROVED: |
| DESCRIPTION: FASCIA MOUNT DETAIL | | |
| SHEET 11 OF 18 | REVISION | PART NUMBER |
| SCALE 1:5 | | N/A |
| WEIGHT: N/A | | |

FASCIA MOUNT - JULIET DETAIL



FASCIA MOUNT JULIET
SUPPORT FOOT

2X #14 SCREWS



FASCIA MOUNT
JULIET BRACKET

SEE TABLE AT
SHEET 11 OF 15
FOR ANCHOR
SCHEDULE

THE INFORMATION CONTAINED IN THIS DRAWING IS PROTECTED BY COPYRIGHT AND PATENT LAWS OF THE UNITED STATES AND OTHER COUNTRIES. ANY REPRODUCTION IN PART OR AS A WHOLE WITHOUT WRITTEN PERMISSION IS PROHIBITED.

| | | | |
|-----------------------------------------------------|----|----------|-------------|
| Barrette OUTDOOR LIVING | | | |
| DRAWN: | CH | DATE: | 10/15/2021 |
| APPROVED: | | | |
| DESCRIPTION: FASCIA MOUNT - JULIET DETAIL | | | |
| SHEET 12 OF 18 | | REVISION | PART NUMBER |
| SCALE 1:5 | | | N/A |
| WEIGHT: N/A | | | |

MOUNTING SCHEDULE

| FOR RESIDENTIAL APPLICATIONS 36" HIGH | | | | | |
|---------------------------------------|--------|-------------------------------------------------------------|-----------------------------------------------------------------------------------------|-------------------------------------------------------------------|--------------------------------------------------------------------------------------------------------------------------|
| PANEL WIDTH | LOAD | RECOMMENDED BOLT APPLICATION | FOR LAG BOLT APPLICATION 3/8" DIA. SCREW. MINIMUM EMBEDDED SCREW THREAD LENGTH REQUIRED | FOR THROUGH BOLT APPLICATION | FOR CONCRETE ANCHOR APPLICATION 3/8" TITAN HD ANCHOR MINIMUM REQUIRED LENGTH (MINIMUM DISTANCE OF 4" FORM EDGE REQUIRED) |
| 8FT | 200LBS | LAG BOLT -OR- THROUGH BOLT -OR- CONCRETE ANCHOR | 3.5IN | 3/8" HEX BOLT 3/8" FLAT WASHER 3/8" LOCK WASHER 3/8" NUT | 4IN |
| 6FT | | | 3IN | | 3IN |
| 4FT | | | 2.5IN | | 3IN |

| FOR COMMERCIAL APPLICATIONS 42" HIGH | | | | | |
|--------------------------------------|--------|-------------------------------------------------------------|-----------------------------------------------------------------------------------------|-------------------------------------------------------------------|--------------------------------------------------------------------------------------------------------------------------|
| PANEL WIDTH | LOAD | RECOMMENDED BOLT APPLICATION | FOR LAG BOLT APPLICATION 3/8" DIA. SCREW. MINIMUM EMBEDDED SCREW THREAD LENGTH REQUIRED | FOR THROUGH BOLT APPLICATION | FOR CONCRETE ANCHOR APPLICATION 3/8" TITAN HD ANCHOR MINIMUM REQUIRED LENGTH (MINIMUM DISTANCE OF 4" FORM EDGE REQUIRED) |
| 8FT | 400LBS | THROUGH BOLT -OR- CONCRETE ANCHOR | 3.5IN | 3/8" HEX BOLT 3/8" FLAT WASHER 3/8" LOCK WASHER 3/8" NUT | 4IN |
| 6FT | 300LBS | LAG BOLT -OR- THROUGH BOLT -OR- CONCRETE ANCHOR | 3IN | | 3IN |
| 4FT | 200LBS | LAG BOLT -OR- THROUGH BOLT -OR- CONCRETE ANCHOR | 2.5IN | | 3IN |



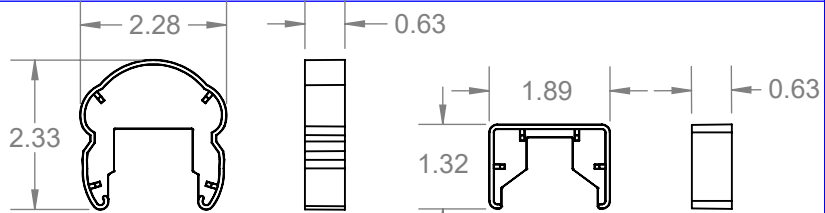
| | | |
|-----------|-----------------|-----------|
| DRAWN: JS | DATE: 1/22/2021 | APPROVED: |
|-----------|-----------------|-----------|

| |
|--------------------------|
| MOUNTING SCHEDULE |
|--------------------------|

| | | |
|----------------|----------|-------------|
| SHEET 13 OF 18 | REVISION | PART NUMBER |
| SCALE 1:16 | 0 | N/A |
| WEIGHT: N/A | | |

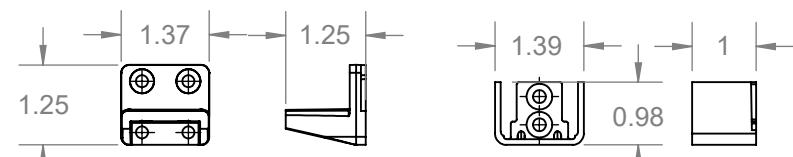
THE INFORMATION CONTAINED IN THIS DRAWING IS PROTECTED BY COPYRIGHT AND PATENT LAWS OF THE UNITED STATES AND OTHER COUNTRIES. ANY REPRODUCTION IN PART OR AS A WHOLE WITHOUT WRITTEN PERMISSION IS PROHIBITED.

BRACKETS & ACCESSORIES



TOP COVER

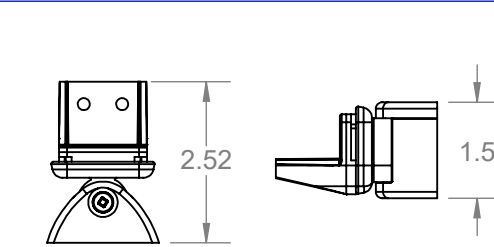
BOTTOM COVER



TOP BRACKET

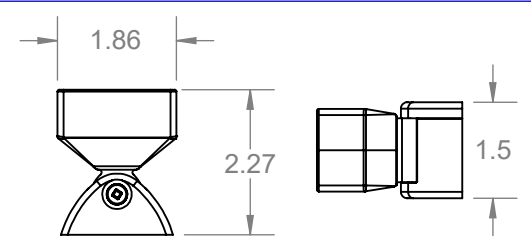
BOTTOM BRACKET

LEVEL BRACKET



TOP BRACKET

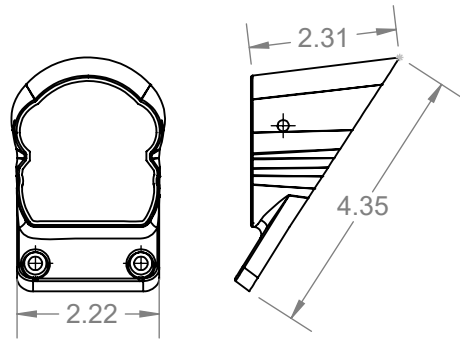
*TOP COVER IS THE SAME AS LEVEL BRACKET



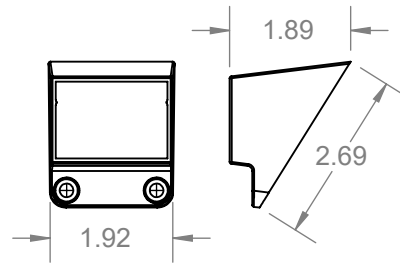
BOTTOM BRACKET

LEVEL ANGLE BRACKET

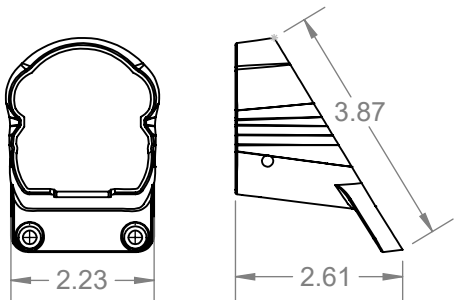
FIXED ANGLE STAIR BRACKET



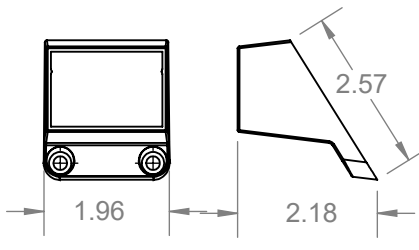
TOP STAIR TOP RAIL BRACKET



TOP STAIR BOTTOM RAIL BRACKET

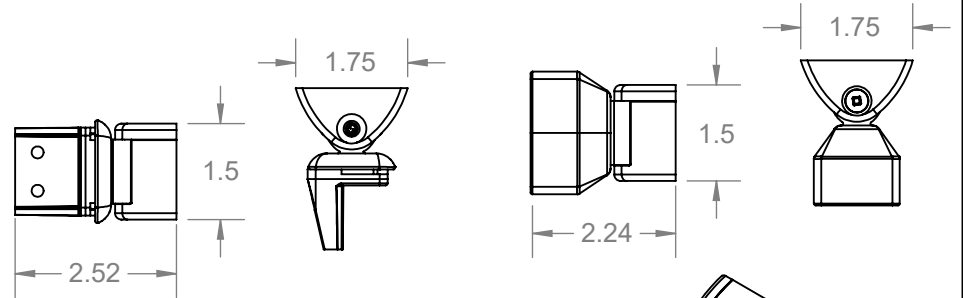


BOTTOM STAIR TOP RAIL BRACKET



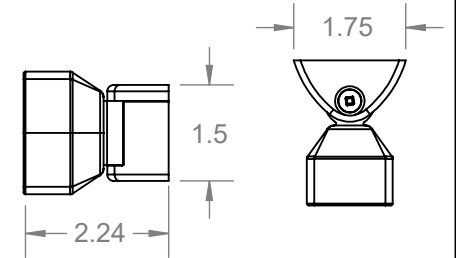
BOTTOM STAIR BOTTOM RAIL BRACKET

STAIR BRACKET

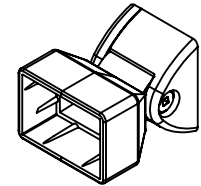
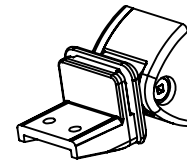


TOP BRACKET

*TOP COVER IS THE SAME AS LEVEL BRACKET

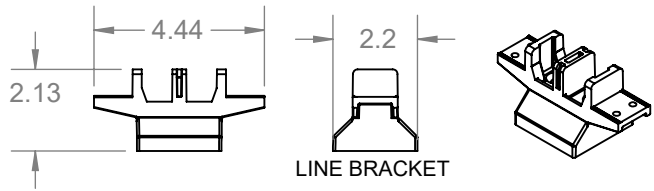


BOTTOM BRACKET

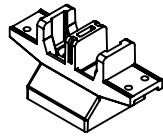


| | | |
|-----------------------------------|-----------------|-------------|
| Barrette OUTDOOR LIVING | | |
| DRAWN: CH | DATE: 6/16/2021 | APPROVED: |
| DESCRIPTION: AVALON ACCESSORIES | | |
| SHEET 14 OF 18 | REVISION | PART NUMBER |
| SCALE 1:3 | 0 | N/A |
| WEIGHT: N/A | | |

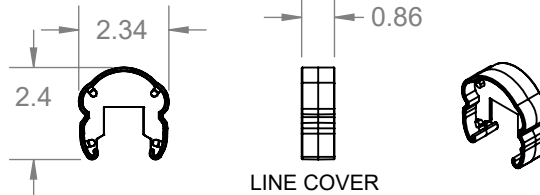
BRACKETS & ACCESSORIES



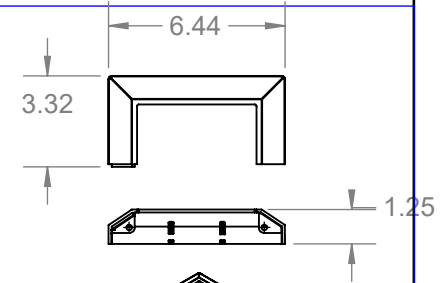
LINE BRACKET



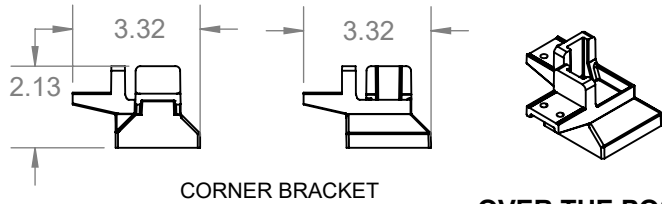
OVER THE POST LINE BRACKET



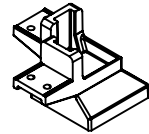
LINE COVER



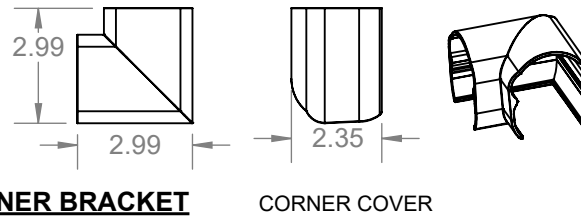
4.25" TRIM RING



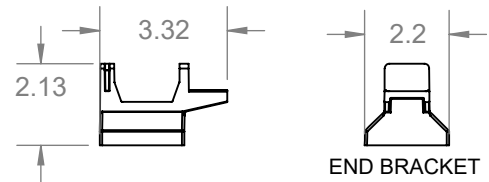
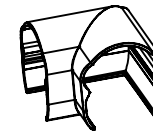
CORNER BRACKET



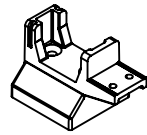
OVER THE POST CORNER BRACKET



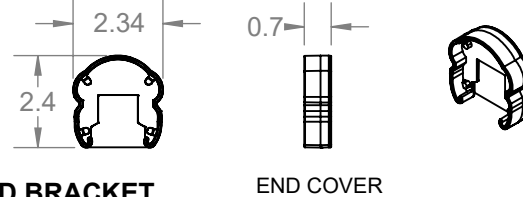
CORNER COVER



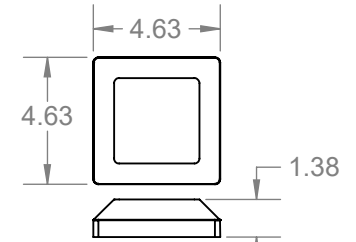
END BRACKET



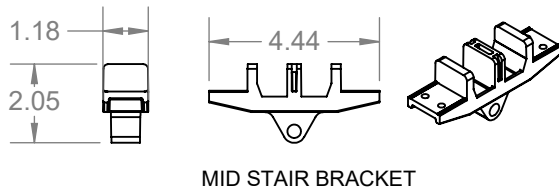
OVER THE POST END BRACKET



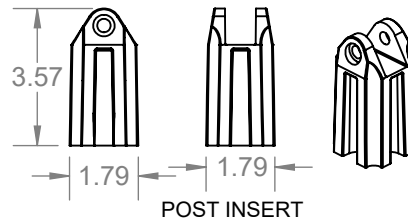
END COVER



4.25" FLAT POST CAP

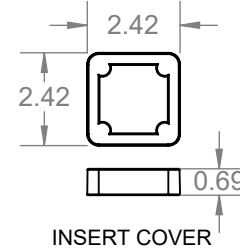


MID STAIR BRACKET



POST INSERT

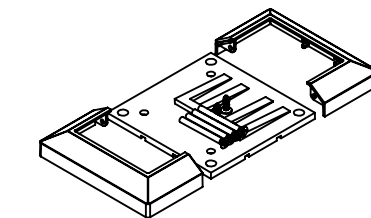
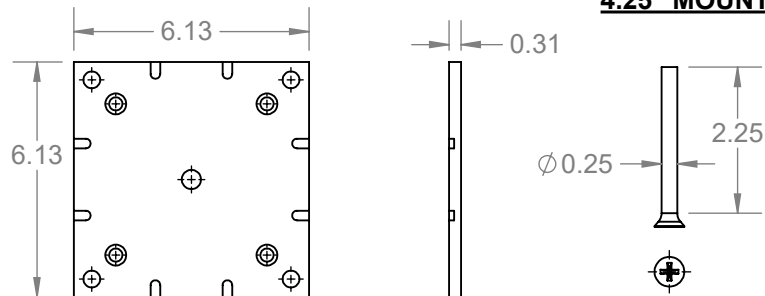
OVER THE POST MID STAIR BRACKET



INSERT COVER

4.25" MOUNTING KIT

108" POST SLEEVE CAN BE USED AS A STRUCTURAL POST
(REQUIRES 2 MOUNTING KITS)



MOUNTING KIT COMES WITH TRIM RING

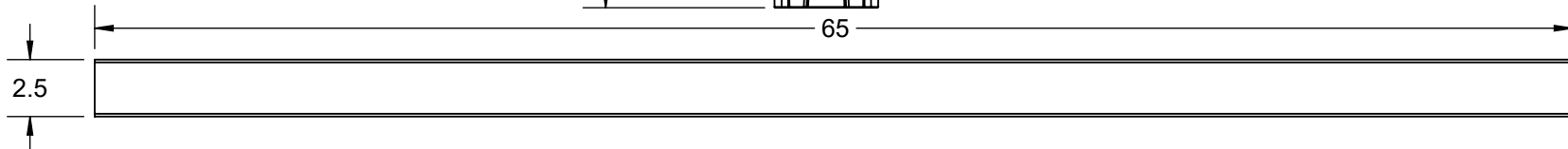
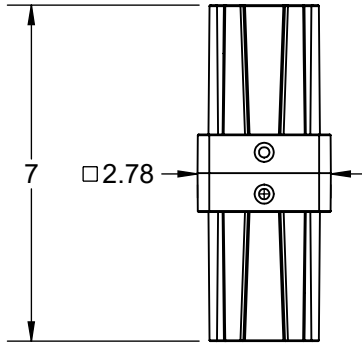
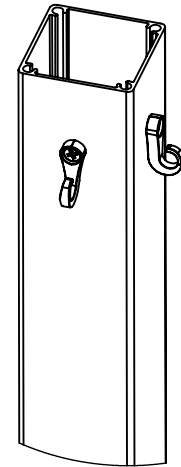
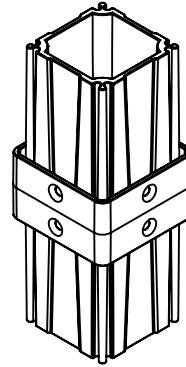
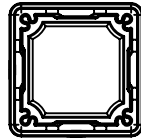
| | | |
|-------------------------------------------|-----------------|-------------|
| Barrette OUTDOOR LIVING | | |
| DRAWN: CH | DATE: 6/16/2021 | APPROVED: |
| DESCRIPTION: AVALON ACCESSORIES | | |
| SHEET 15 OF 18 | REVISION | PART NUMBER |
| SCALE 1:5 | △ | N/A |
| WEIGHT: N/A | | |

ACCESSORIES

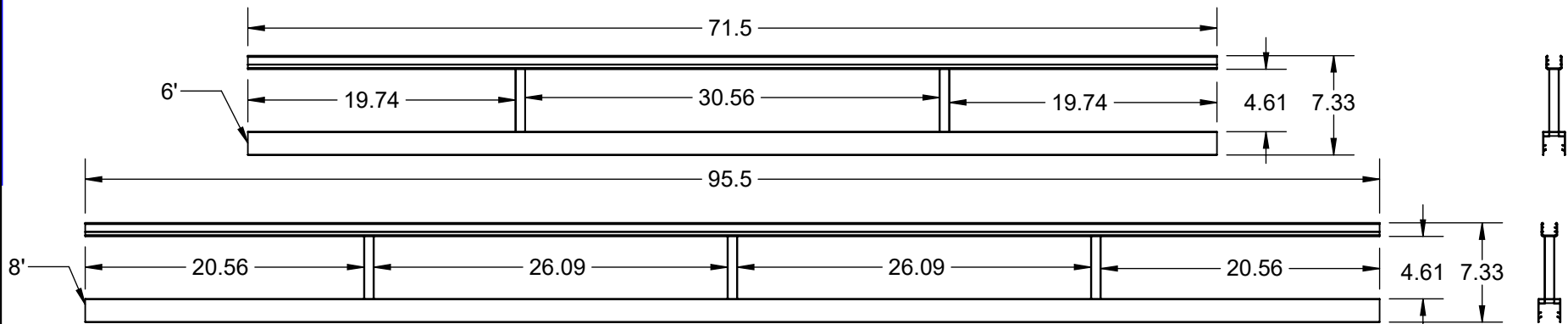
POST EXTENSION

NOTES:

- 1) POST EXTENSION COMES WITH SCREWS, (2) J-HOOKS AND A 65" POST. FOR HANGING LIGHTS HIGH ABOVE RAILING.



2 - TO - 3 RAIL ADAPTER

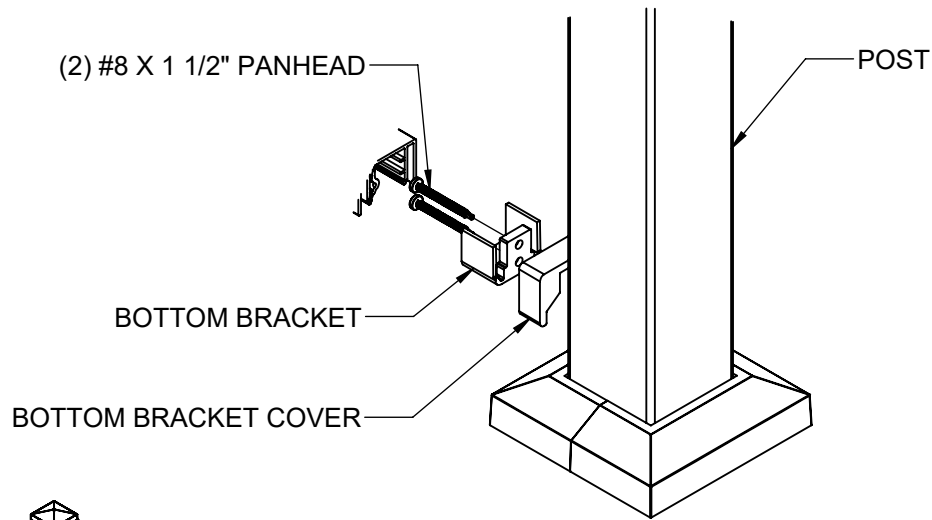


NOTES:

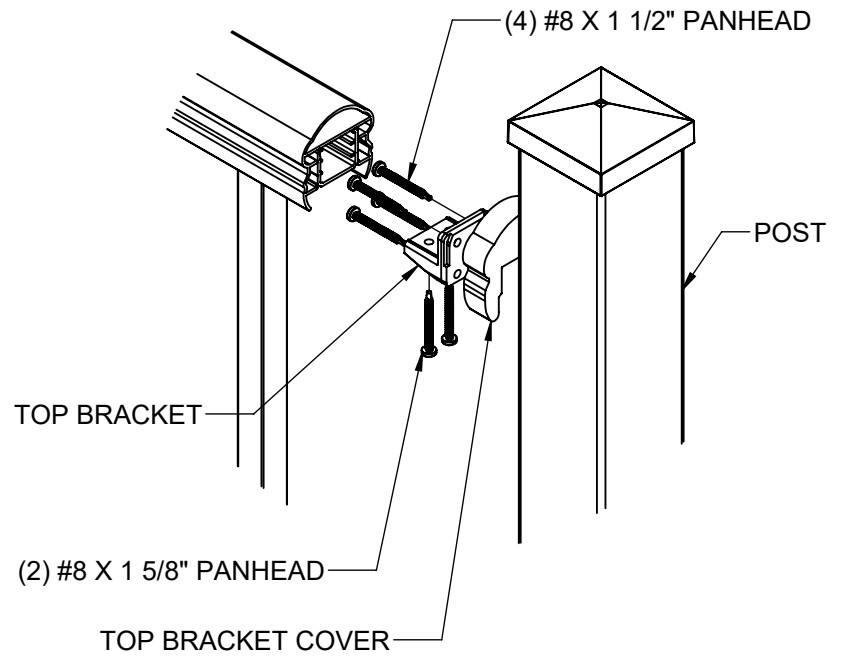
- 1) 2-3 RAIL ADAPTER FITS OVER SMALL AVALON TOP RAIL.
- 2) COMES WITH SCREWS AND TWO BRACKETS.
- 3) 6' AND 8' AVAILABLE



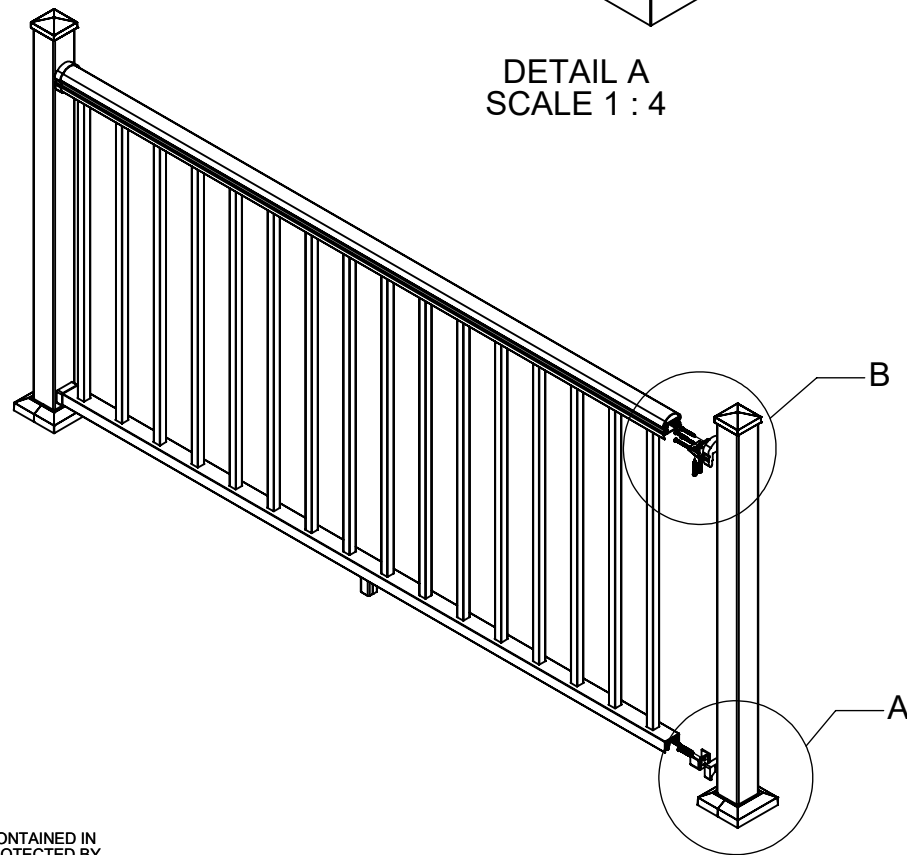
| | | | | | |
|---------------------------|----|----------|-------------|-----------|--|
| DRAWN: | CH | DATE: | 11/22/2021 | APPROVED: | |
| DESCRIPTION: | | | | | |
| AVALON ACCESSORIES | | | | | |
| SHEET 16 OF 18 | | REVISION | PART NUMBER | | |
| SCALE 1:4 | | 0 | N/A | | |
| WEIGHT: N/A | | | | | |





DETAIL A
SCALE 1 : 4

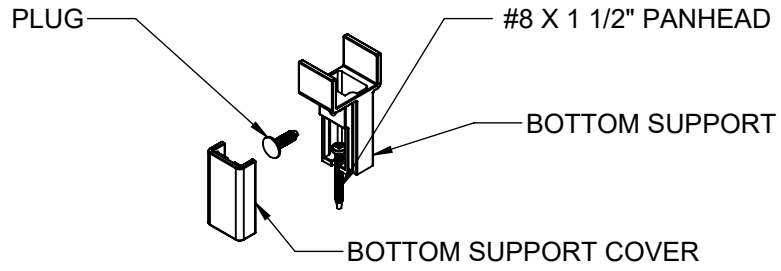


DETAIL B
SCALE 1 : 4

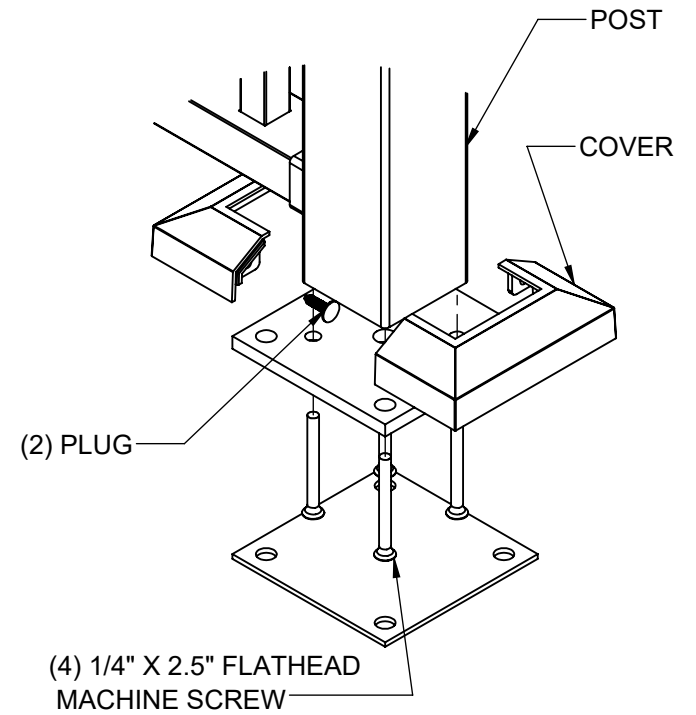


THE INFORMATION CONTAINED IN THIS DRAWING IS PROTECTED BY COPYRIGHT AND PATENT LAWS OF THE UNITED STATES AND OTHER COUNTRIES. ANY REPRODUCTION IN PART OR AS A WHOLE WITHOUT WRITTEN PERMISSION IS PROHIBITED.

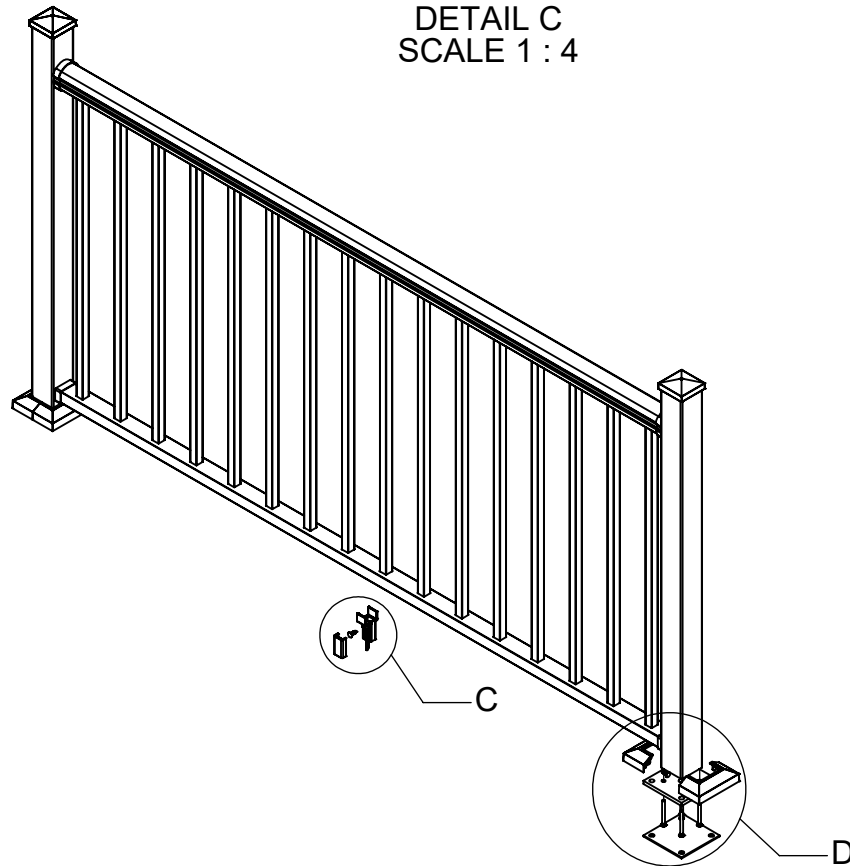
| | | | |
|-------------------------------------------------------------------------------------------------------------------------|----|---------------------------------------------------------------------------------------|-------------|
| Barrette OUTDOOR LIVING  | | | |
| DRAWN: | CH | DATE: | 6/16/2021 |
| APPROVED: | | | |
| DESCRIPTION: AVALON FASTENER DETAIL | | | |
| SHEET 17 OF 18 | | REVISION | PART NUMBER |
| SCALE 1:16 | |  | N/A |
| WEIGHT: N/A | | | |



DETAIL C
SCALE 1 : 4



DETAIL D
SCALE 1 : 4



THE INFORMATION CONTAINED IN THIS DRAWING IS PROTECTED BY COPYRIGHT AND PATENT LAWS OF THE UNITED STATES AND OTHER COUNTRIES. ANY REPRODUCTION IN PART OR AS A WHOLE WITHOUT WRITTEN PERMISSION IS PROHIBITED.

| | | |
|-----------------------------------------------|-----------------|-------------|
| Barrette OUTDOOR LIVING | | |
| DRAWN: CH | DATE: 6/16/2021 | APPROVED: |
| DESCRIPTION: AVALON FASTENER DETAIL | | |
| SHEET 18 OF 18 | REVISION | PART NUMBER |
| SCALE 1:16 | 0 | N/A |
| WEIGHT: N/A | | |