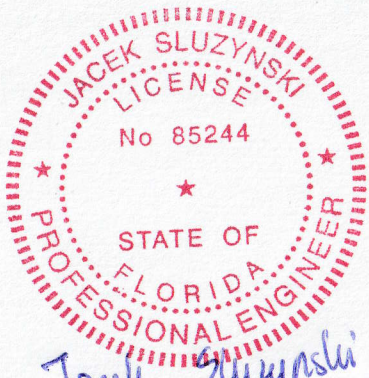




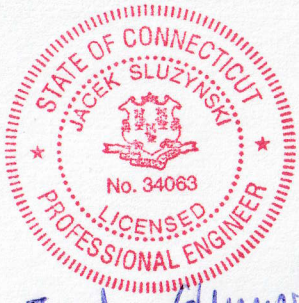
**BOL ALUMINUM RAILING SYSTEM  
IBC 2018 AND IRC 2018**

**1/16/2023**

**JACEK SLUZYNSKI, P.E.  
BARRETTE OUTDOOR LIVING  
2401 CORPORATE BLVD • BROOKSVILLE, FL 34604  
(352) 754-8555**



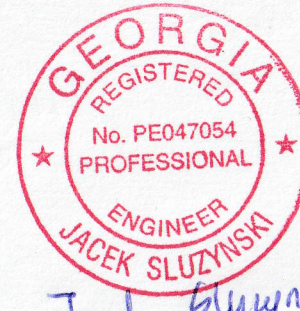
Jacek Sluzynski  
11/6/2023



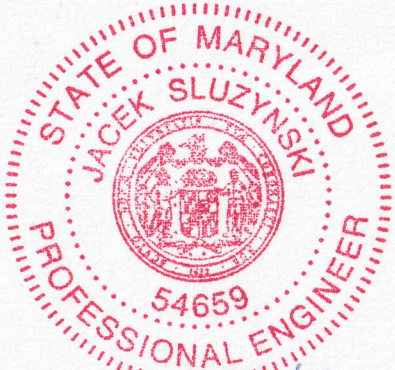
Jacek Sluzynski  
11/6/2023



Jacek Sluzynski  
11/6/2023



Jacek Sluzynski  
11/6/2023



Jacek Sluzynski  
11/6/2023



Jacek Sluzynski  
11/6/2023



Jacek Sluzynski  
11/6/2023



Jacek Sluzynski  
11/6/2023

Professional Certification. I hereby certify that these documents were prepared or approved by me, and that I am a duly licensed professional engineer under the laws of the State of Maryland.  
License No. 54659 Expiration Date: 7/11/2023

I hereby certify that this plan, specification, or report was prepared by me or under my direct supervision and that I am a duly Licensed Professional Engineer under the laws of the state of Minnesota.

Signature: Jacek Sluzynski

Typed or Printed Name: JACEK SLUZYSKI

Date: 11/6/2023 License Number: 57350



Jacek Sluzynski  
11/6/2023



Jacek Sluzynski  
11/6/2023



Jacek Sluzynski  
1/16/2023



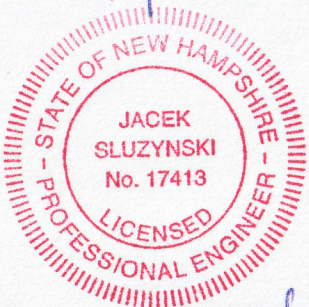
Jacek Sluzynski  
1/16/2023



Jacek Sluzynski  
1/16/2023



Jacek Sluzynski  
1/16/2023



Jacek Sluzynski  
1/16/2023



Jacek Sluzynski  
1/16/2023



EXPIRES: 06/30/2024

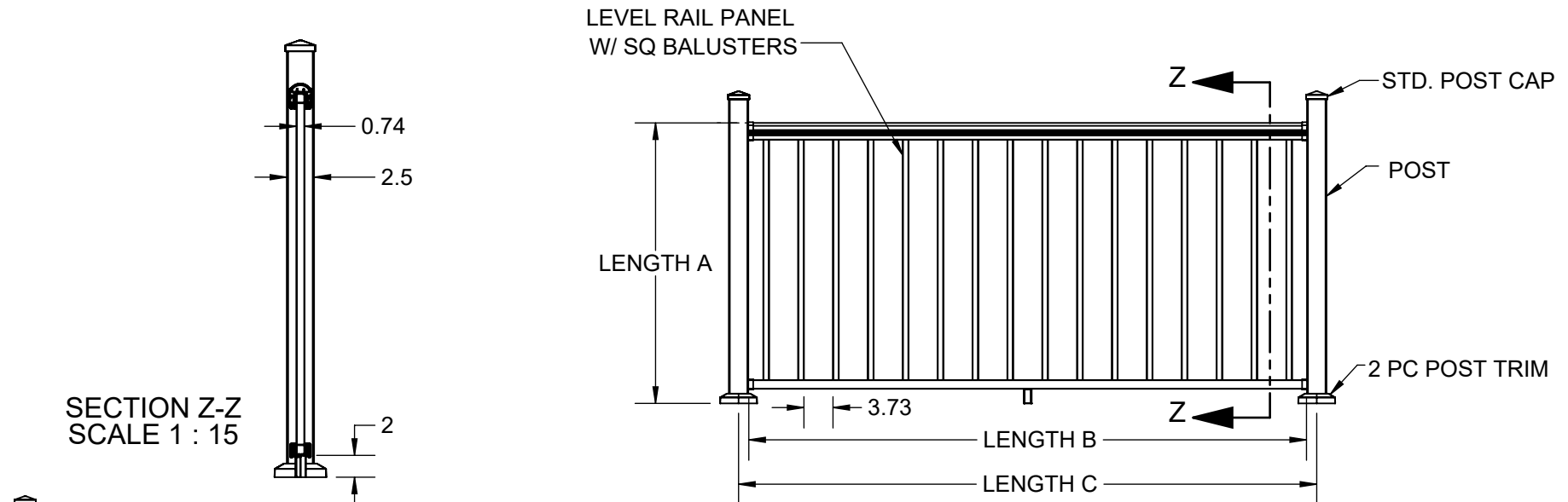
Jacek Sluzynski  
1/16/2023

## **GENERAL NOTES**

1. The "Avalon Railing" (*guard*) meets or exceeds the 2018 International Building Code (IBC) section 1607.8. and R301.5. 2018 International Residential Code (IRC).
2. Loads:
  - 2.1. The top railing of the *guard* is capable of transferring to the anchoring connection a point load of 200 pounds (Residential applications) and 200 pounds or 50 pounds per linear foot (Commercial applications) applied in any direction.
  - 2.2. The infill (pickets, glass slats, DSP panels) are capable of transferring to the anchoring connection a horizontally applied normal load of 50 pounds exerted over 1 square foot.
3. The professional engineer (PE) is responsible for the design of the *guard* to the bottom of the base plate, to the bottom of the post, and to the mounting surface of the upper and lower railing wall brackets. The PE is not responsible for the design of the anchoring substrate, such as, concrete or wood. Except for the fasteners specified, the PE is not responsible for the selection or location of the anchoring fasteners.
4. The use of this specification indemnifies and saves harmless the PE from all cost and damages including legal fees and appellate fees resulting from material and part fabrication, manufacturing, assembly, system design and erection, construction practices, and Barrette warranties. Neither the PE nor Barrette shall be held responsible or liable in any way for the use of this product in applications other than shown on this drawing.
5. Materials and manufacturing of the guard shall be in accordance with the Aluminum Association's 2015 "Aluminum Design Manual".
6. All *guard* extrusions shall be aluminum 6005-T5 except pickets which shall be 6063-T52.
7. All *guard* fasteners are 410 stainless steel.
8. Barrette manufacturing tolerances for the guard are equal to or tighter than allowed by the IBC and IRC. Contact Barrette for specific tolerances.
9. All concrete shall be uncracked only, with a minimum compressive strength of 3000psi and shall be minimum 1.5X thicker than any anchor embedment. All epoxy and grout shall meet or exceed compressive strength of the concrete and shall be iron-free, non-shrink and non-reactive. Concrete footers shall contain min 0.1% fiber mesh admixture per CY.
10. All wood shall be pressure treated No. 2 Southern Yellow Pine with minimum specific gravity,  $G=0.55$

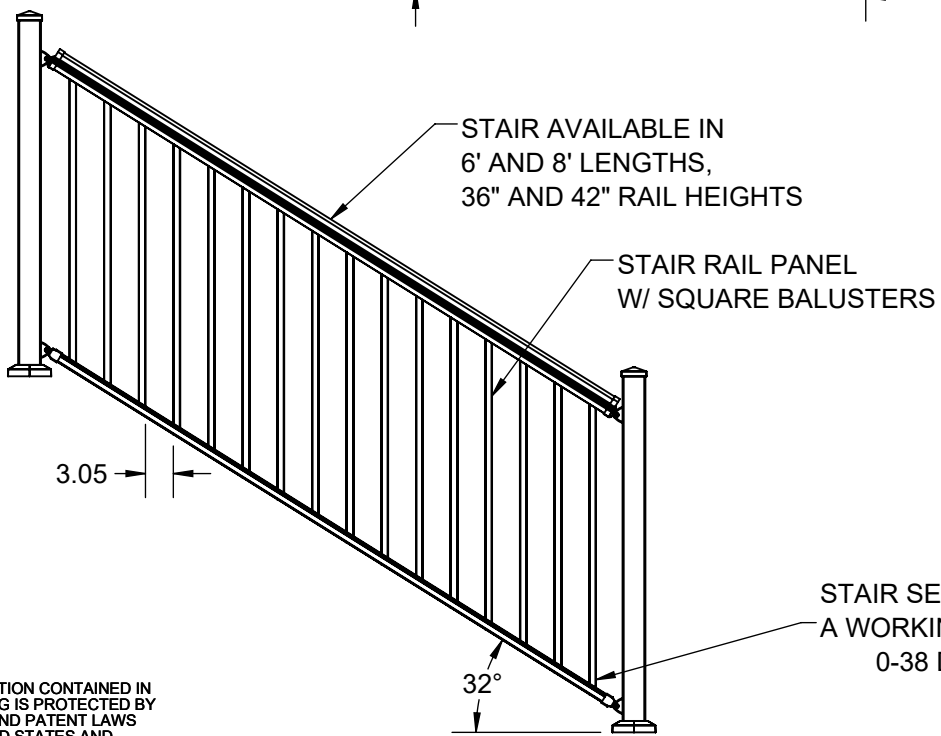
11. Surrounding soil to be compacted to 98% optimum density, 2500 psf minimum and
12. Insulate aluminum from dissimilar metals to prevent electrolysis. Insure all bare metal is protected from corrosive environments such as installation near the ocean.
13. Neither the PE nor Barrette is responsible for construction tolerances, field dimensions, or installation of the *guard*.
14. No changes are allowed without written authorization from the engineer.
15. Copies of this drawing without an original signature and seal of the engineer are invalid.
16. No inspection was made at this jobsite and the design depicted herein is based upon data supplied by the contractor. This engineer is to not be held liable or in any way responsible for the use of any inaccurate information supplied by others. The contractor shall field verify all measurements and information used in this design before any changes are made to field condition, fabrication and the installation of the materials.

# AVALON ALUMINUM RAIL AND BALUSTER DETAILS



SECTION Z-Z  
SCALE 1 : 15

NOTE:  
 (A) FINISHED RAIL HEIGHT = 36", 42"  
 (B) PANEL LENGTH = 71.5", 95.5"  
 (C) MAX IRC AND IBC SPANS = 98.5"X36", 98.5"X42"



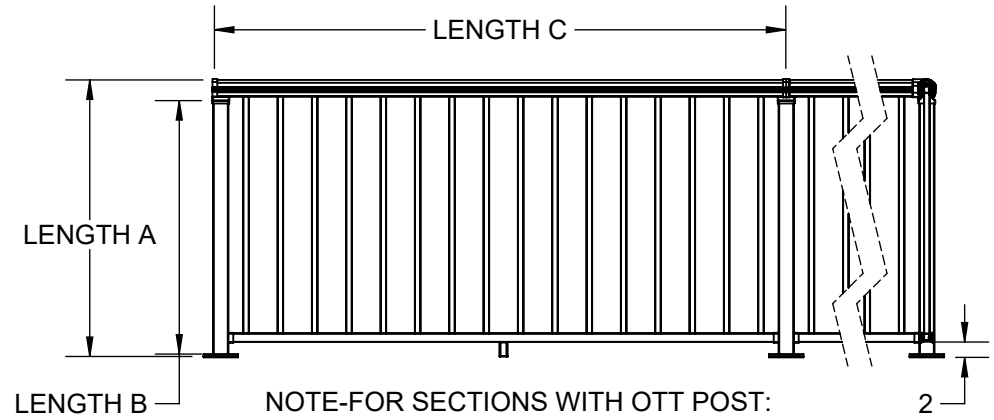
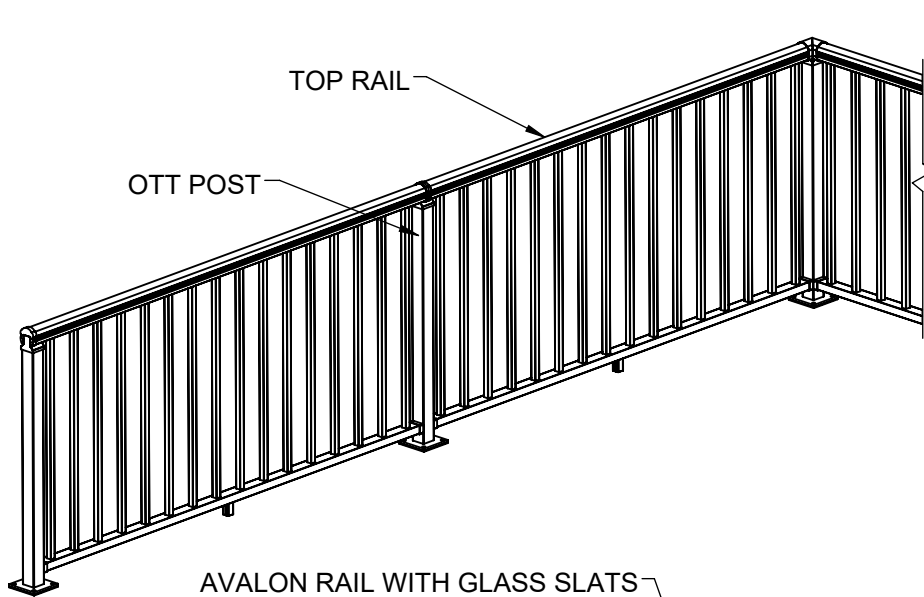
THE INFORMATION CONTAINED IN THIS DRAWING IS PROTECTED BY COPYRIGHT AND PATENT LAWS OF THE UNITED STATES AND OTHER COUNTRIES. ANY REPRODUCTION IN PART OR AS A WHOLE WITHOUT WRITTEN PERMISSION IS PROHIBITED.

<b>Barrette</b> OUTDOOR LIVING		
DRAWN: CH	DATE: 6/16/2021	APPROVED:
DESCRIPTION: <b>AVALON LEVEL AND STAIR RAIL</b>		
SHEET 1 OF 16	REVISION	PART NUMBER
SCALE 1:21		N/A
WEIGHT: N/A		

# AVALON OVER THE TOP (OTT) AND GLASS LEVEL RAIL DETAILS

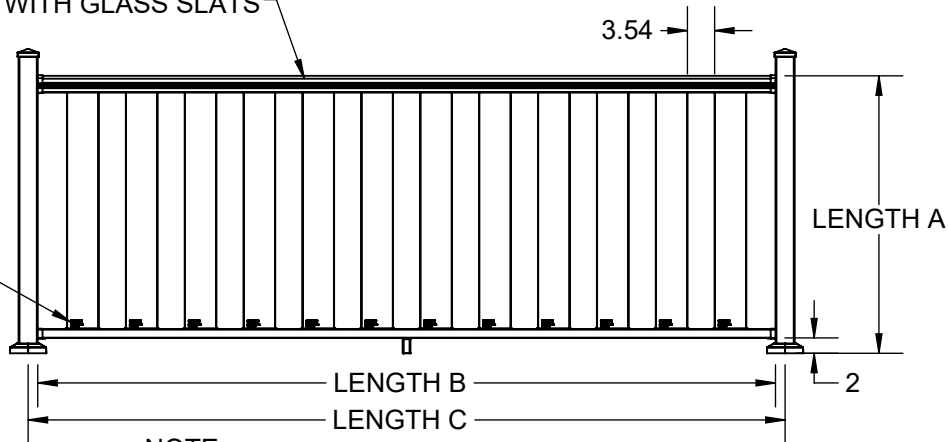
**NOTE:**

1. FOR OTT, A TOP RAIL LONGER THAN PANEL LENGTH IS NEEDED.
  - IRC COMPLIANT PANELS (RESIDENTIAL) ARE 6FT MAXIMUM APPLICATIONS
  - IBC COMPLIANT PANELS (COMMERCIAL) ARE 5FT MAXIMUM APPLICATIONS
2. NO STAIRS AVAILABLE FOR AVALON OTT OR GLASS.



- NOTE-FOR SECTIONS WITH OTT POST:**
- (A) FINISHED RAIL HEIGHT = 36", 42"
  - (B) POST HEIGHT = 33", 39"
  - (C) MAX IRC SPAN = 72"X36", MAX IBC SPAN = 60"X42"

**AVALON RAIL WITH GLASS SLATS**



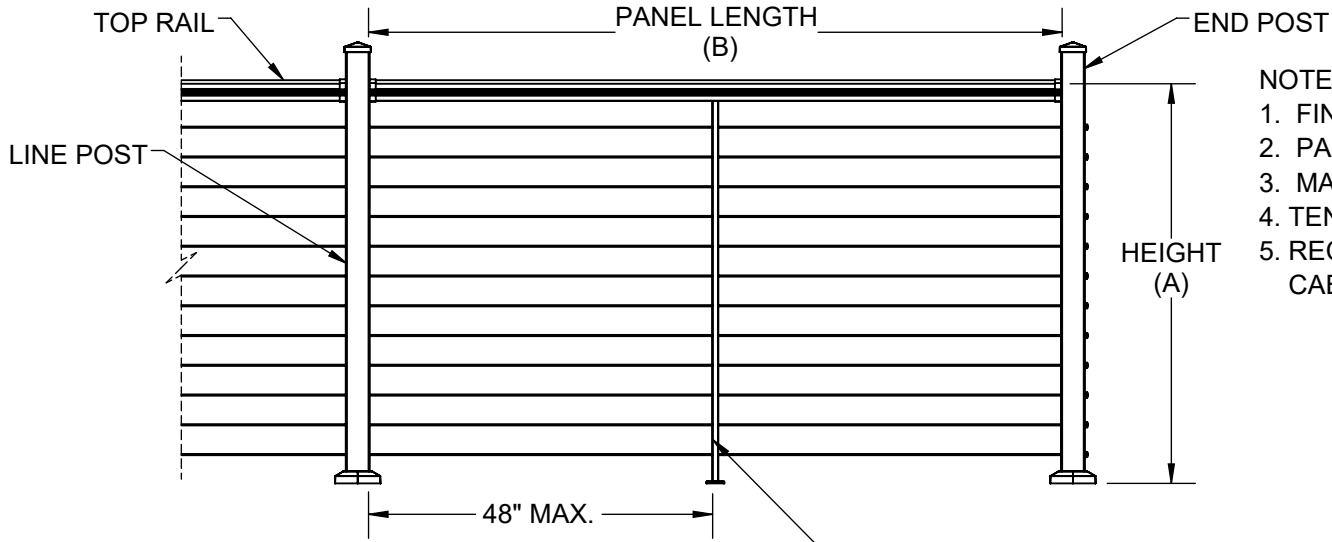
**NOTE:**  
ANSI Z97.1 2004  
16 CFR 1201 C11  
SGCC 2975 1/4UA  
TEMPERED

- NOTE:**
- (A) FINISHED RAIL HEIGHT = 36", 42"
  - (B) PANEL LENGTH = 71.5", 95.5"
  - (C) MAX SPANS = 98.5X36" IRC, 98.5X42" IBC

THE INFORMATION CONTAINED IN THIS DRAWING IS PROTECTED BY COPYRIGHT AND PATENT LAWS OF THE UNITED STATES AND OTHER COUNTRIES. ANY REPRODUCTION IN PART OR AS A WHOLE WITHOUT WRITTEN PERMISSION IS PROHIBITED.

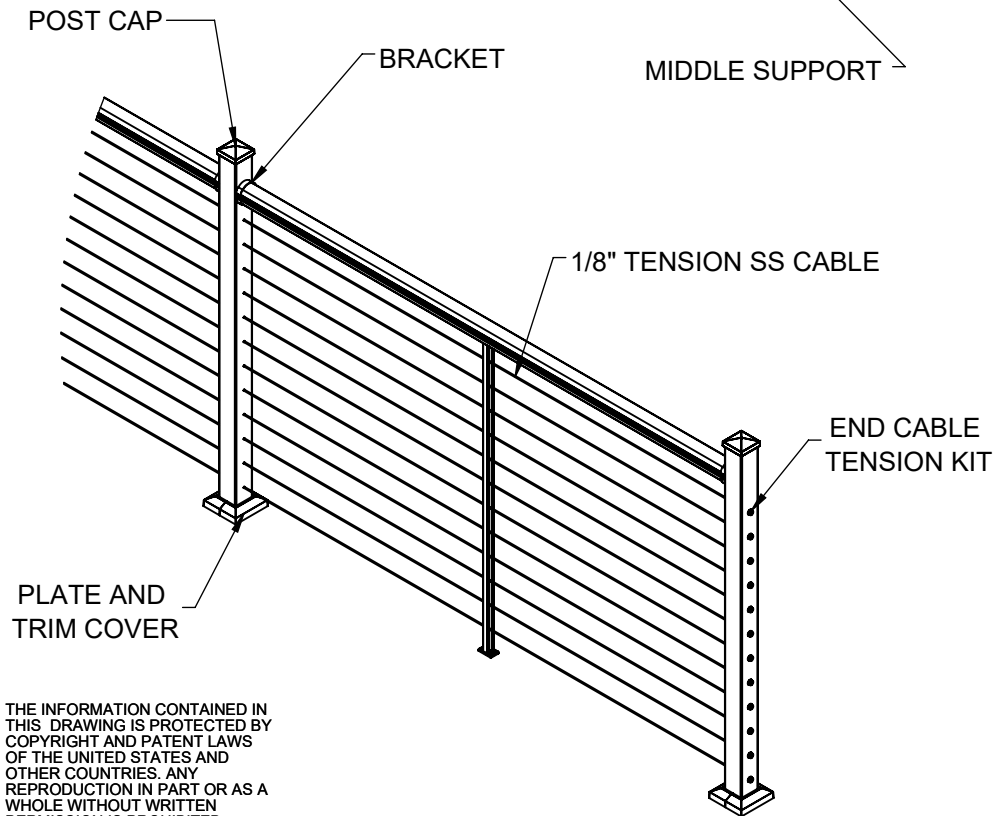
<b>Barrette</b> OUTDOOR LIVING		
DRAWN: CH	DATE: 6/16/2021	APPROVED:
DESCRIPTION: <b>AVALON OVER THE TOP AND GLASS RAIL</b>		
SHEET 2 OF 16	REVISION	PART NUMBER
SCALE 1:25		N/A
WEIGHT: N/A		

# CABLE RAILING PANEL-DETAILS

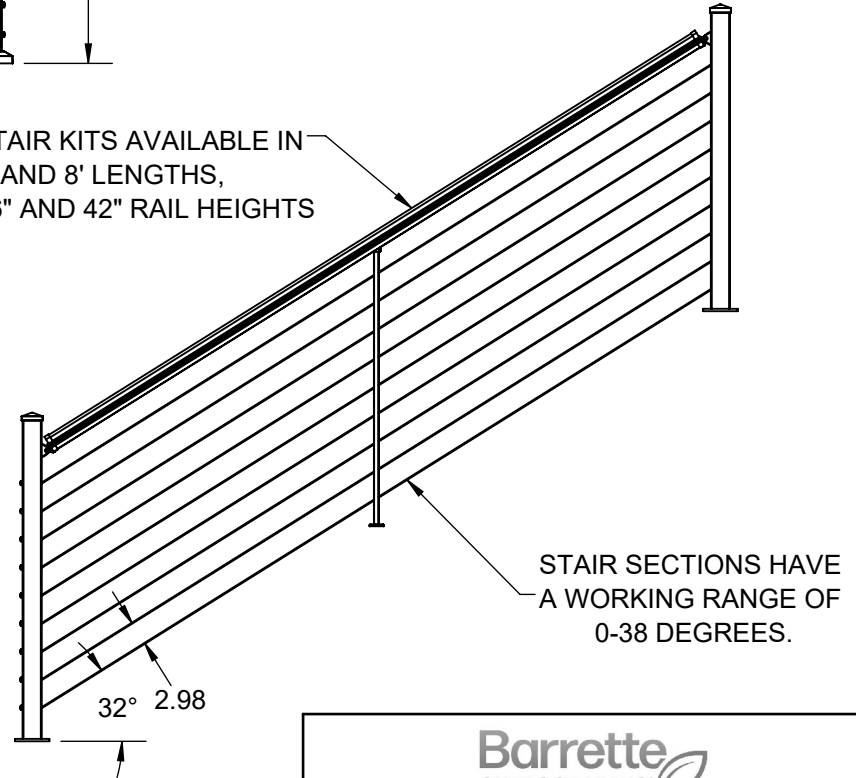


**NOTE:**

1. FINISHED RAIL HEIGHT (A) = 36", 42"
2. PANEL LENGTH (B) = 71.5", 95.5"
3. MAX PANEL SIZE = 96X36" IRC, 96X42" IBC
4. TENSION CABLE TO PREVENT PASSING 4" SPHERE.
5. RECOMMENDED PULLING FORCE FROM CABLE MANUFACTURER 225 LBS



STAIR KITS AVAILABLE IN 6' AND 8' LENGTHS, 36" AND 42" RAIL HEIGHTS



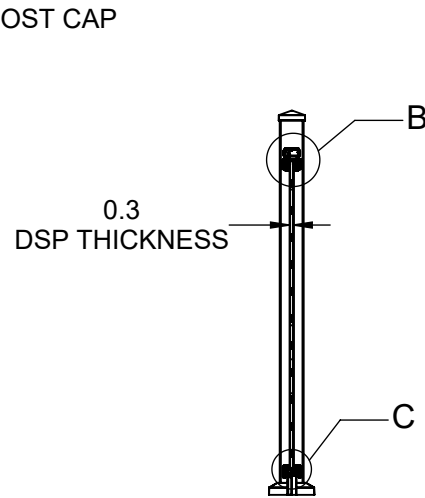
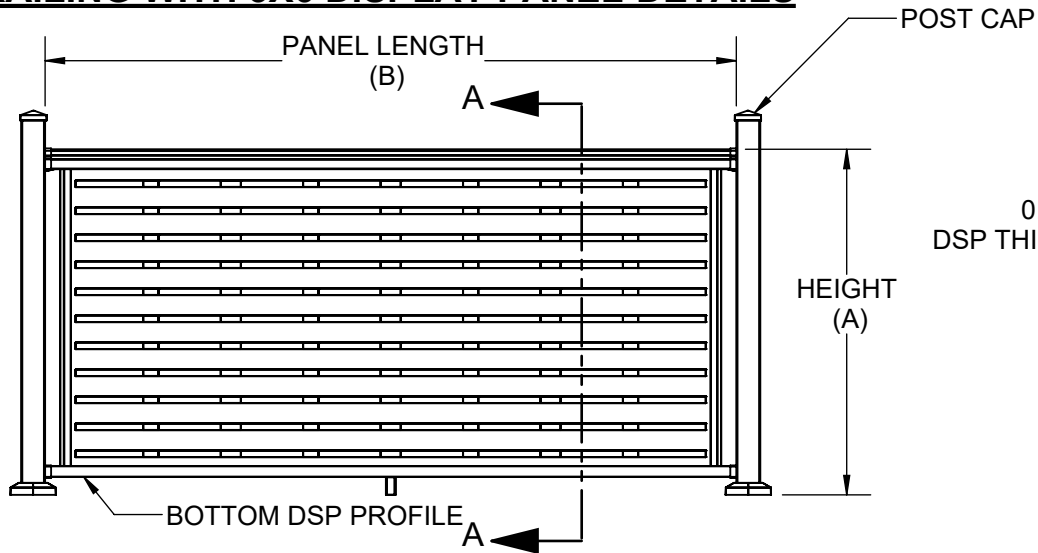
THE INFORMATION CONTAINED IN THIS DRAWING IS PROTECTED BY COPYRIGHT AND PATENT LAWS OF THE UNITED STATES AND OTHER COUNTRIES. ANY REPRODUCTION IN PART OR AS A WHOLE WITHOUT WRITTEN PERMISSION IS PROHIBITED.

<b>Barrette</b> OUTDOOR LIVING		
DRAWN: CH	DATE: 6/16/2021	APPROVED:
DESCRIPTION: <b>CABLE RAILING - DETAILS</b>		
SHEET 3 OF 16	REVISION	PART NUMBER
SCALE 1:25		N/A
WEIGHT: N/A		

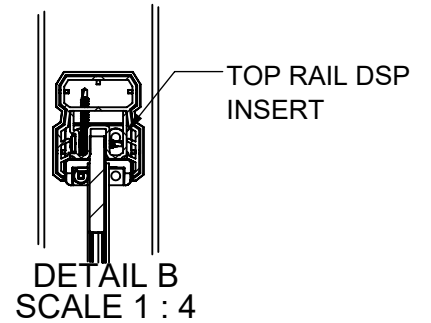


# RAILING WITH DISPLAY PANEL (DSP)-DETAILS

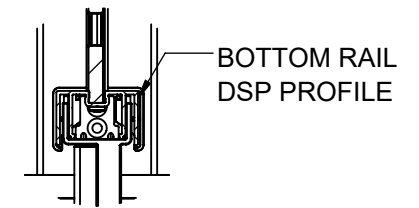
## RAILING WITH 3X6 DISPLAY PANEL-DETAILS



SECTION A-A

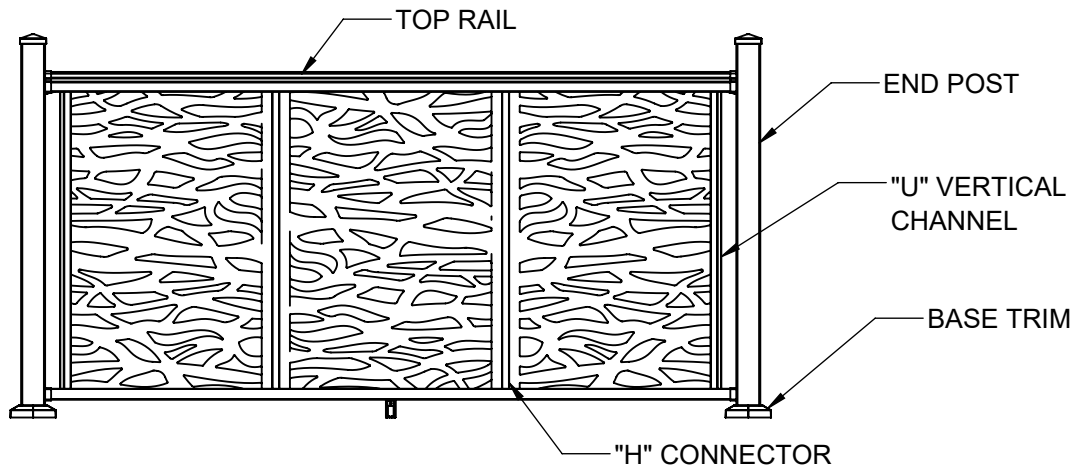


DETAIL B  
SCALE 1 : 4



DETAIL C  
SCALE 1 : 4

## RAILING WITH 2X4 DISPLAY PANEL-DETAILS



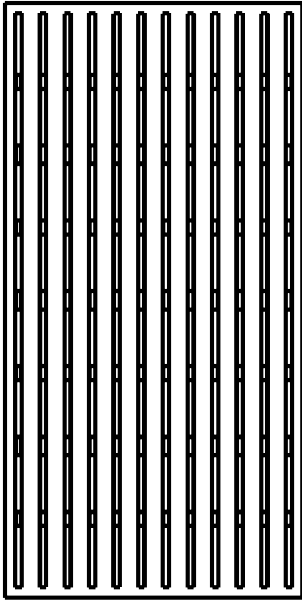
**NOTE:**

1. FINISHED RAIL HEIGHT (A) = 36"
2. PANEL LENGTH (B) = 71.5"
3. MAX PANEL SIZE = 71.5"X36" IRC
4. 3X6 DSP SIZE = 34" X 68"
5. 2X4 DSP SIZE = 23 7/8" X 47 7/8"

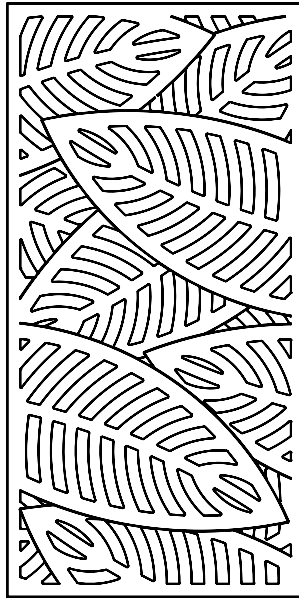
THE INFORMATION CONTAINED IN THIS DRAWING IS PROTECTED BY COPYRIGHT AND PATENT LAWS OF THE UNITED STATES AND OTHER COUNTRIES. ANY REPRODUCTION IN PART OR AS A WHOLE WITHOUT WRITTEN PERMISSION IS PROHIBITED.

<b>Barrette</b> OUTDOOR LIVING		
DRAWN: CH	DATE: 6/16/2021	APPROVED:
DESCRIPTION: <b>RAILING WITH DSP INFILL - DETAILS</b>		
SHEET 4 OF 16	REVISION	PART NUMBER
SCALE 1:20		N/A
WEIGHT: N/A		

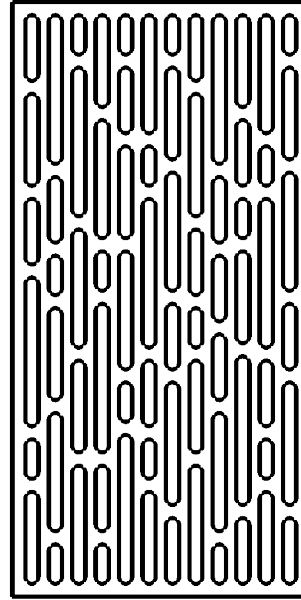
### 3X6 DSP SCREENS



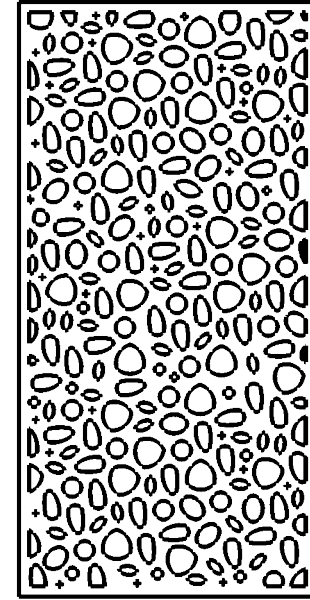
3X6 BOARDWALK



3X6 SANIBEL

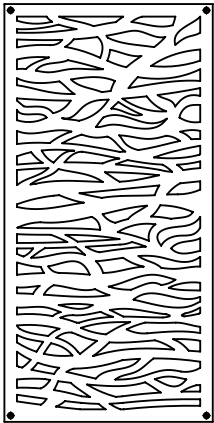


3X6 OPTIC

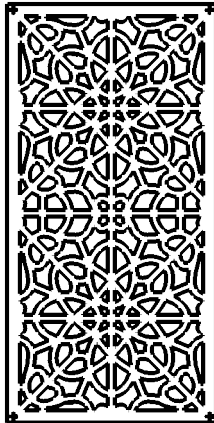


3X6 RIVER ROCK

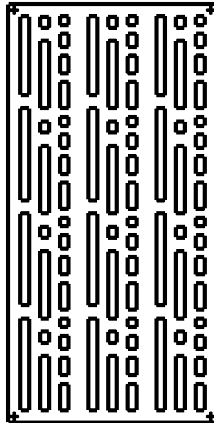
### 2X4 DSP SCREENS



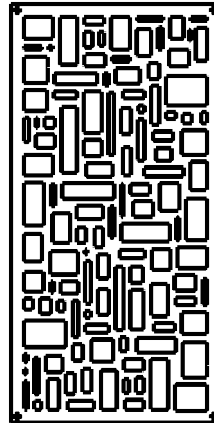
2X4 SPRIG



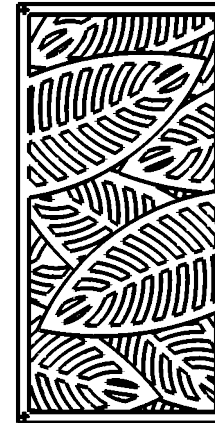
2X4 FRETWORK



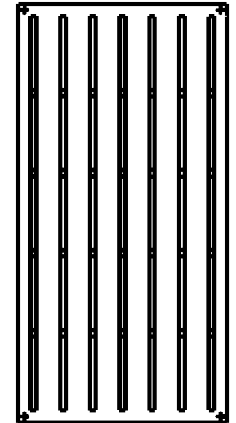
2X4 MORSE



2X4 SLATE



2X4 SANIBEL



2X4 BOARDWALK

**NOTE:**

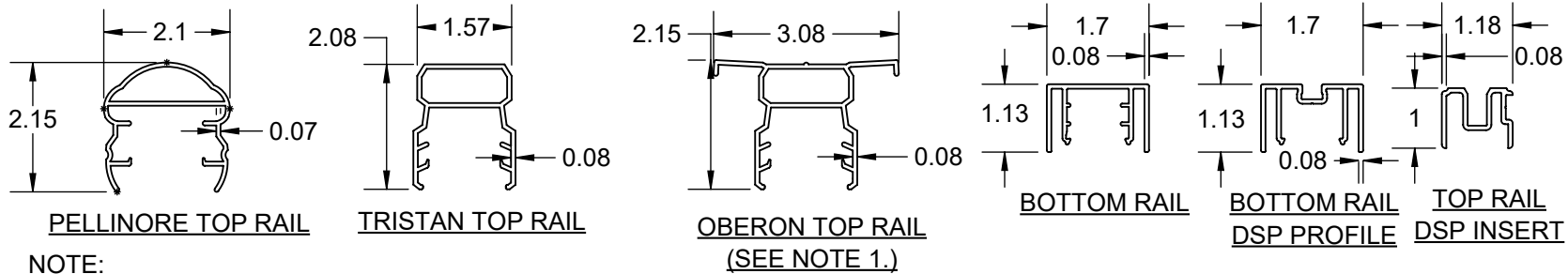
1. 3X6 DSP SIZE = 34" X 68"
2. 2X4 DSP SIZE = 23 7/8" X 47 7/8"
3. THICKNESS = .3"

THE INFORMATION CONTAINED IN THIS DRAWING IS PROTECTED BY COPYRIGHT AND PATENT LAWS OF THE UNITED STATES AND OTHER COUNTRIES. ANY REPRODUCTION IN PART OR AS A WHOLE WITHOUT WRITTEN PERMISSION IS PROHIBITED.

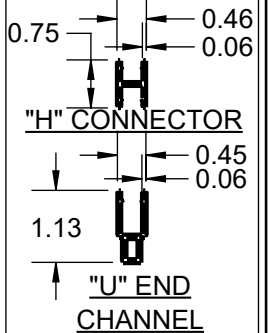


DRAWN:	CH	DATE:	9/22/2021	APPROVED:	
DESCRIPTION:					
<b>DSP DETAIL</b>					
SHEET 5 OF 16		REVISION	PART NUMBER		
SCALE 1:22		0	N/A		
WEIGHT: N/A					

### TOP AND BOTTOM RAIL



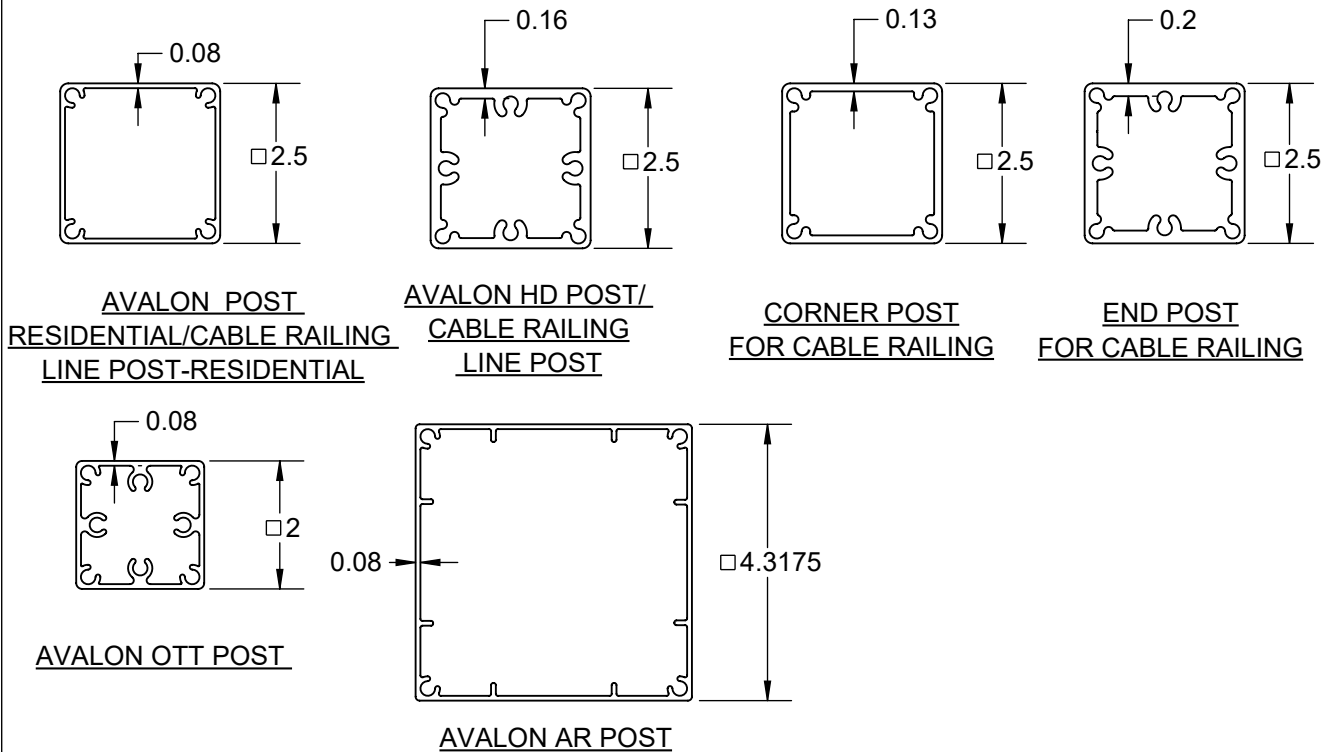
### DSP VERTICAL PROFILES



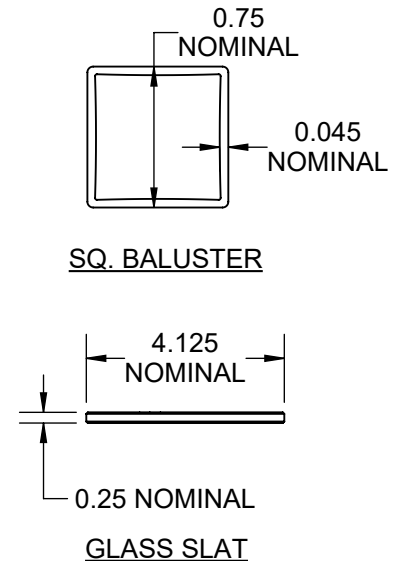
**NOTE:**

1. A DECK BOARD MUST BE USED WHEN INSTALLING OBERON.
2. BRACKET COVERS ARE INCLUDED WITH TOP RAIL.

### POSTS



### BALUSTERS



1. AVALON POST RESIDENTIAL recommended for Residential applications (any width).
2. AVALON HD POST/CABLE RAILING LINE POST recommended for Commercial applications - not wider than 8ft .
3. END POST FOR CABLE RAILING recommended for cabel railing applications - end post only .
4. CORNER POST FOR CABLE RAILING recommended for cabel railing applications - corner post only .
5. AVL OTT POST recommended for Residential - 6ft wide applications and Commercial - 5ft applications.
6. AVL AR POST can be used on any Residential or Commercial applications.

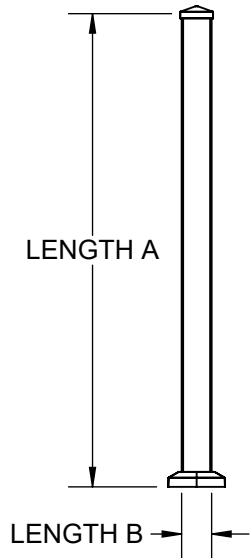
THE INFORMATION CONTAINED IN THIS DRAWING IS PROTECTED BY COPYRIGHT AND PATENT LAWS OF THE UNITED STATES AND OTHER COUNTRIES. ANY REPRODUCTION IN PART OR AS A WHOLE WITHOUT WRITTEN PERMISSION IS PROHIBITED.



DRAWN: CH	DATE: 1/22/2021	APPROVED:
DESCRIPTION: AVALON PROFILES		
SHEET 6 OF 16	REVISION	PART NUMBER
SCALE 1:3	0	N/A
WEIGHT: N/A		

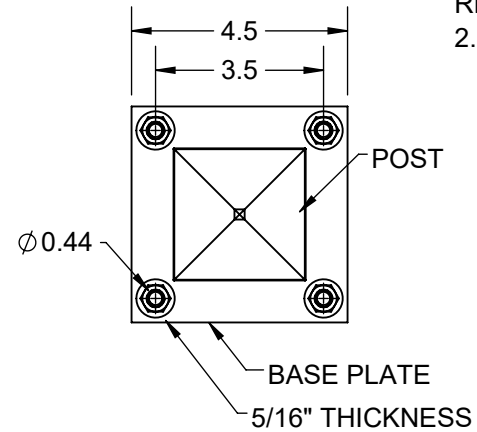
# AVALON POST AND SURFACE MOUNT DETAILS

NOTE: IMAGES ONLY REFERENCE 2" AND 2.5" POSTS.



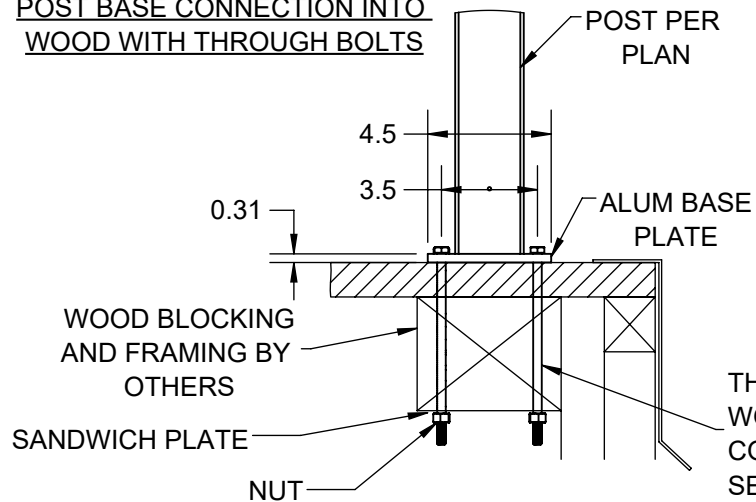
POSTS	LENGTH A	LENGTH B
STD. POST	39"	2.50"
STD. POST	45"	2.50"
STD. POST	60"	2.50"
HD. POST	45"	2.50"
HD. POST	60"	2.50"
OTP. POST	33"	2.00"
OTP. POST	39"	2.00"
AR. POST	39"	4.32"
AR. POST	45"	4.32"
AR. POST	108"	4.32"

Note:  
2.5" posts include factory mounted base plate, two piece trim, post cap, and leveling shims.  
4.3125" post sold separately as components.

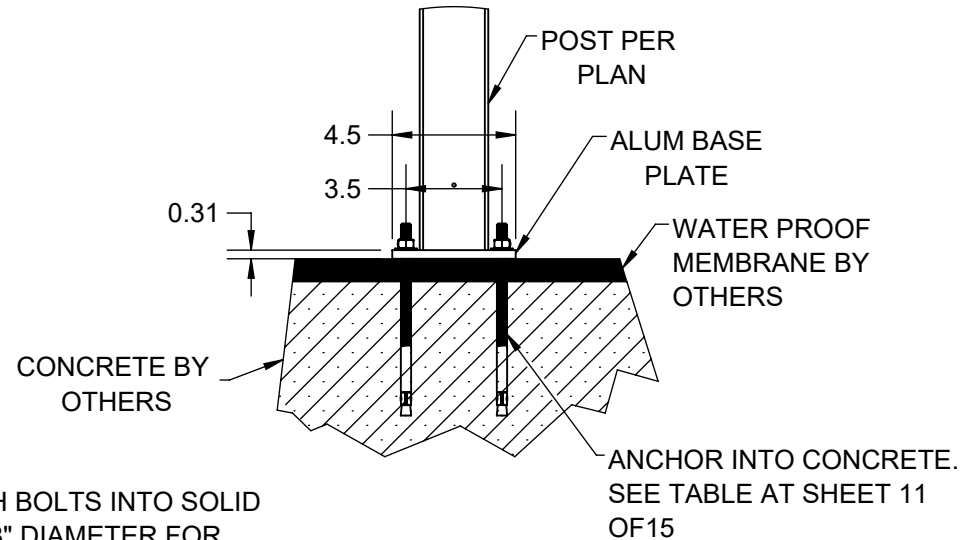


POST BASE CONNECTION INTO CONCRETE WITH WEDGE ANCHORS

POST BASE CONNECTION INTO WOOD WITH THROUGH BOLTS



THROUGH BOLTS INTO SOLID WOOD 3/8" DIAMETER FOR COMMERCIAL APPLICATIONS SEE TABLE AT SHEET 8 OF 12

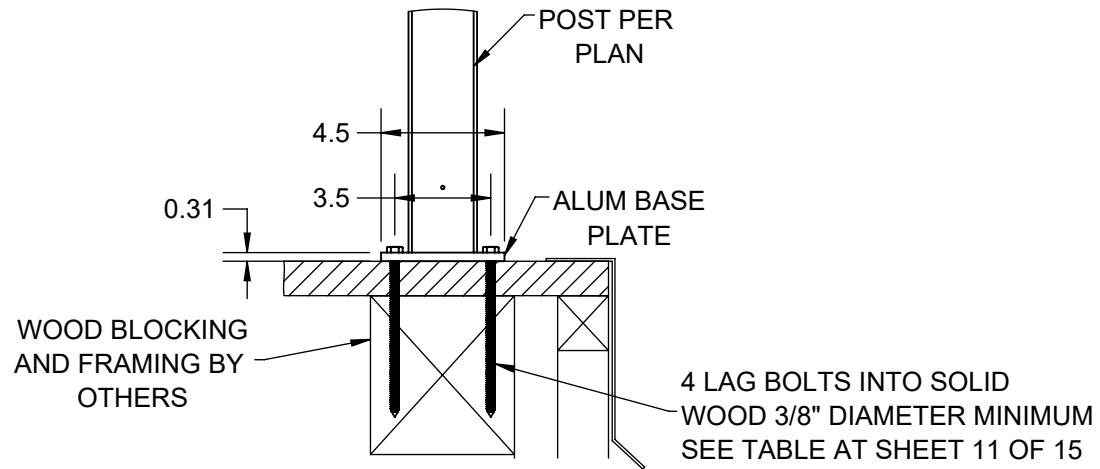


- NOTE:
1. COMMERCIAL APPLICATIONS ARE ALWAYS BOLTED, USE 3/8" DIAMETER A307 THROUGH BOLTS INTO SOLID WOOD BLOCKING.
  2. WOOD BLOCKING BY OTHERS.
  3. BLOCKING MUST BE DESIGNED TO WITHSTAND PROPER LOADING.

THE INFORMATION CONTAINED IN THIS DRAWING IS PROTECTED BY COPYRIGHT AND PATENT LAWS OF THE UNITED STATES AND OTHER COUNTRIES. ANY REPRODUCTION IN PART OR AS A WHOLE WITHOUT WRITTEN PERMISSION IS PROHIBITED.

<b>Barrette</b> OUTDOOR LIVING		
DRAWN: CH	DATE: 5/5/2020	APPROVED:
DESCRIPTION: <b>AVALON POST AND SURFACE MOUNT</b>		
<b>DETAIL</b>		
SHEET 7 OF 16	REVISION	PART NUMBER
SCALE 1:16		N/A
WEIGHT: N/A		

## AVALON POST AND SURFACE MOUNT DETAILS



POST BASE CONNECTION INTO  
WOOD WITH LAG BOLTS

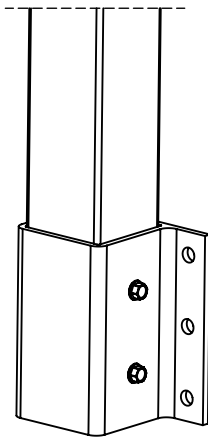
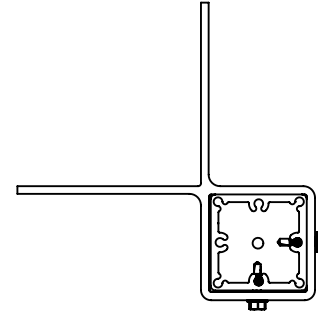
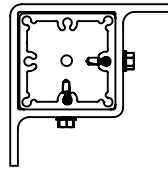
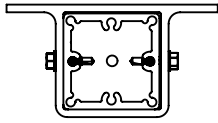
**NOTE:**

1. WOOD BLOCKING BY OTHERS.
2. BLOCKING MUST BE DESIGNED TO WITHSTAND PROPER LOADING.

THE INFORMATION CONTAINED IN THIS DRAWING IS PROTECTED BY COPYRIGHT AND PATENT LAWS OF THE UNITED STATES AND OTHER COUNTRIES. ANY REPRODUCTION IN PART OR AS A WHOLE WITHOUT WRITTEN PERMISSION IS PROHIBITED.

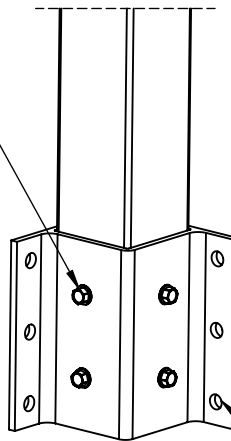
<b>Barrette</b> OUTDOOR LIVING		
DRAWN: CH	DATE: 5/5/2020	APPROVED:
DESCRIPTION: <b>AVALON POST AND SURFACE MOUNT</b>		
<b>DETAIL</b>		
SHEET 8 OF 16	REVISION	PART NUMBER
SCALE 1:16		N/A
WEIGHT: N/A		

# FASCIA MOUNT DETAILS



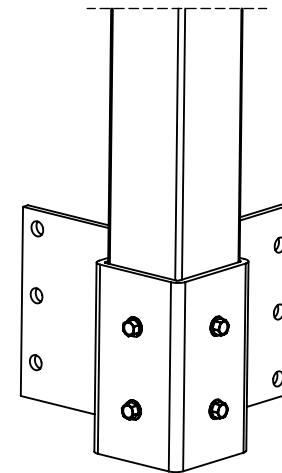
LINE POST / END POST BRACKET

4X #14 SCREW





INSIDE CORNER POST BRACKET

SEE TABLE AT SHEET 11 OF 15 FOR ANCHOR SCHEDULE

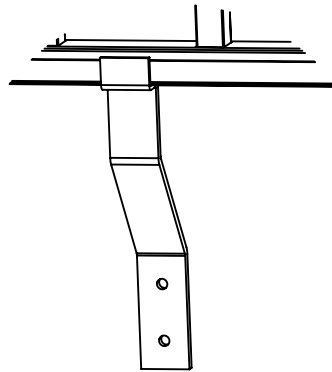
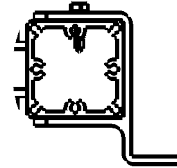
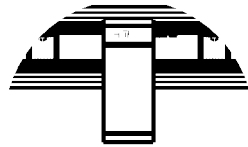


OUTSIDE CORNER POST BRACKET

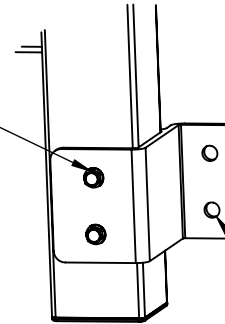
THE INFORMATION CONTAINED IN THIS DRAWING IS PROTECTED BY COPYRIGHT AND PATENT LAWS OF THE UNITED STATES AND OTHER COUNTRIES. ANY REPRODUCTION IN PART OR AS A WHOLE WITHOUT WRITTEN PERMISSION IS PROHIBITED.

<b>Barrette</b> OUTDOOR LIVING 		
DRAWN: CH	DATE: 3/16/2021	APPROVED:
DESCRIPTION: <b>FASCIA MOUNT DETAIL</b>		
SHEET 9 OF 16	REVISION	PART NUMBER
SCALE 1:5		N/A
WEIGHT: N/A		

# FASCIA MOUNT - JULIET DETAIL



2X #14 SCREWS



SEE TABLE AT  
SHEET 11 OF 15  
FOR ANCHOR  
SCHEDULE

FASCIA MOUNT JULIET  
SUPPORT FOOT

FASCIA MOUNT  
JULIET BRACKET

THE INFORMATION CONTAINED IN THIS DRAWING IS PROTECTED BY COPYRIGHT AND PATENT LAWS OF THE UNITED STATES AND OTHER COUNTRIES. ANY REPRODUCTION IN PART OR AS A WHOLE WITHOUT WRITTEN PERMISSION IS PROHIBITED.

<b>Barrette</b> OUTDOOR LIVING		
DRAWN: CH	DATE: 10/15/2021	APPROVED:
DESCRIPTION: <b>FASCIA MOUNT - JULIET DETAIL</b>		
SHEET 10 OF 16	REVISION	PART NUMBER
SCALE 1:5		N/A
WEIGHT: N/A		

## MOUNTING SCHEDULE

FOR RESIDENTIAL APPLICATIONS 36" HIGH					
PANEL WIDTH	LOAD	RECOMMENDED BOLT APPLICATION	FOR LAG BOLT APPLICATION 3/8" DIA. SCREW. MINIMUM EMBEDDED SCREW THREAD LENGTH REQUIRED	FOR THROUGH BOLT APPLICATION	FOR CONCRETE ANCHOR APPLICATION 3/8" TITAN HD ANCHOR MINIMUM REQUIRED LENGTH (MINIMUM DISTANCE OF 4" FORM EDGE REQUIRED)
8FT	200LBS	LAG BOLT -OR- THROUGH BOLT -OR- CONCRETE ANCHOR	3.5IN	3/8" HEX BOLT 3/8" FLAT WASHER 3/8" LOCK WASHER 3/8" NUT	4IN
6FT			3IN		3IN
4FT			2.5IN		3IN

FOR COMMERCIAL APPLICATIONS 42" HIGH					
PANEL WIDTH	LOAD	RECOMMENDED BOLT APPLICATION	FOR LAG BOLT APPLICATION 3/8" DIA. SCREW. MINIMUM EMBEDDED SCREW THREAD LENGTH REQUIRED	FOR THROUGH BOLT APPLICATION	FOR CONCRETE ANCHOR APPLICATION 3/8" TITAN HD ANCHOR MINIMUM REQUIRED LENGTH (MINIMUM DISTANCE OF 4" FORM EDGE REQUIRED)
8FT	400LBS	THROUGH BOLT -OR- CONCRETE ANCHOR	3.5IN	3/8" HEX BOLT 3/8" FLAT WASHER 3/8" LOCK WASHER 3/8" NUT	4IN
6FT	300LBS	LAG BOLT -OR- THROUGH BOLT -OR- CONCRETE ANCHOR	3IN		3IN
4FT	200LBS	LAG BOLT -OR- THROUGH BOLT -OR- CONCRETE ANCHOR	2.5IN		3IN



DRAWN: <b>GB</b>	DATE: 1/22/2021	APPROVED:
------------------	-----------------	-----------

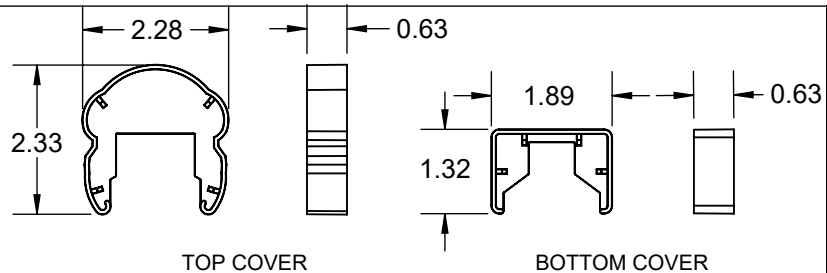
DESCRIPTION: **MOUNTING SCHEDULE**

SHEET 11 OF 16	REVISION	PART NUMBER
SCALE 1:16		N/A
WEIGHT: N/A		

THE INFORMATION CONTAINED IN THIS DRAWING IS PROTECTED BY COPYRIGHT AND PATENT LAWS OF THE UNITED STATES AND OTHER COUNTRIES. ANY REPRODUCTION IN PART OR AS A WHOLE WITHOUT WRITTEN PERMISSION IS PROHIBITED.

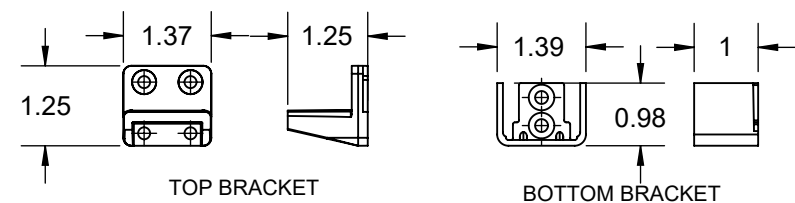


## BRACKETS & ACCESSORIES



TOP COVER

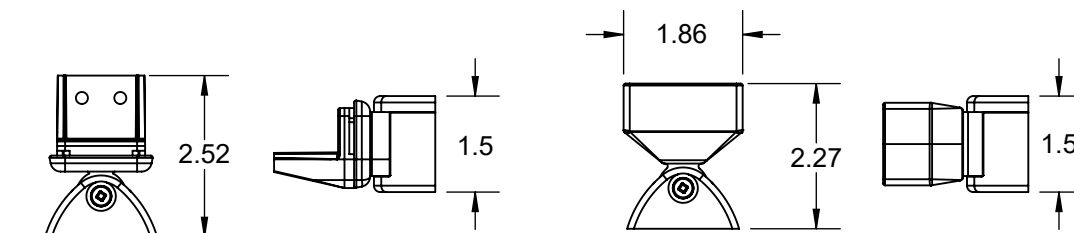
BOTTOM COVER



TOP BRACKET

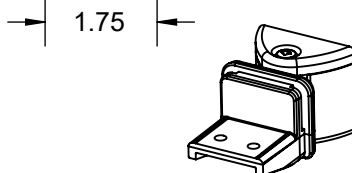
BOTTOM BRACKET

### LEVEL BRACKET



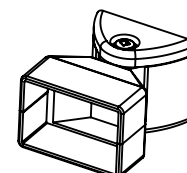
TOP COVER

BOTTOM COVER



TOP BRACKET

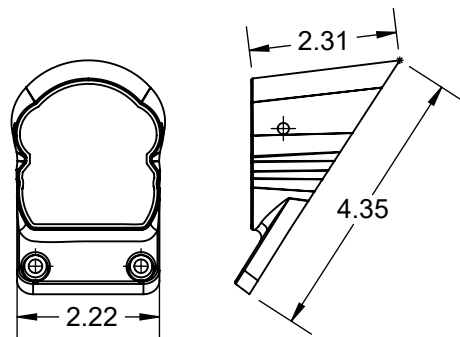
\*TOP COVER IS THE SAME AS LEVEL BRACKET



BOTTOM BRACKET

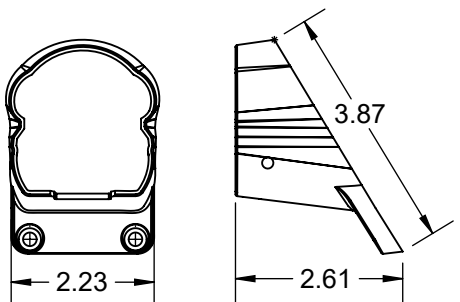
### LEVEL ANGLE BRACKET

### FIXED ANGLE STAIR BRACKET



TOP STAIR TOP RAIL BRACKET

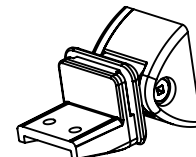
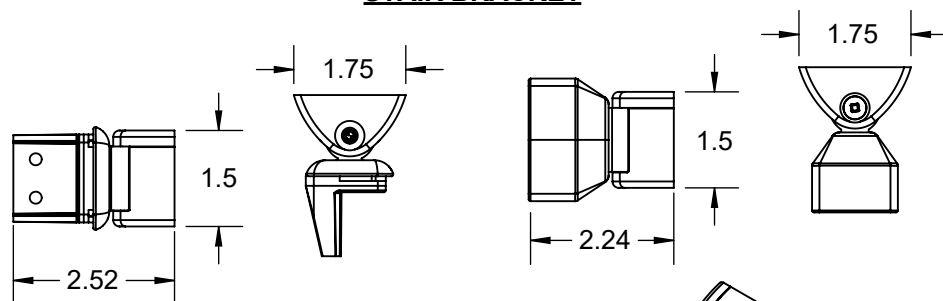
TOP STAIR BOTTOM RAIL BRACKET



BOTTOM STAIR TOP RAIL BRACKET

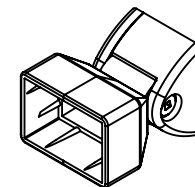
BOTTOM STAIR BOTTOM RAIL BRACKET

### STAIR BRACKET



TOP BRACKET

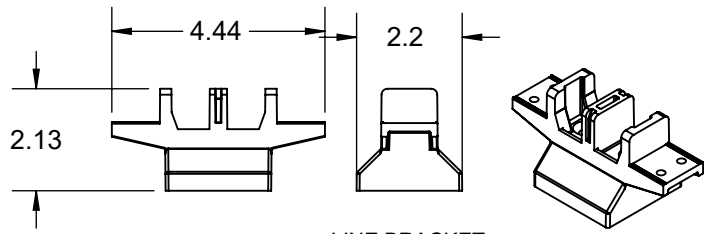
\*TOP COVER IS THE SAME AS LEVEL BRACKET



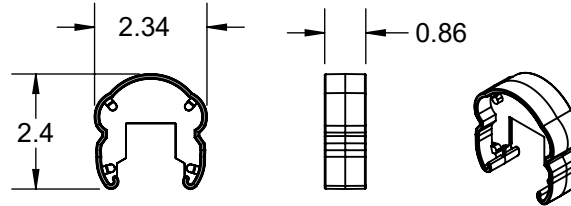
BOTTOM BRACKET

<b>Barrette</b> OUTDOOR LIVING			
DRAWN: CH	DATE: 6/16/2021	APPROVED:	
DESCRIPTION: <b>AVALON ACCESSORIES</b>			
SHEET 12 OF 16	REVISION	PART NUMBER	
SCALE 1:3	0	N/A	
WEIGHT: N/A			

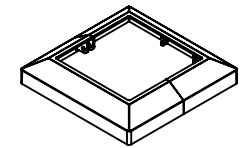
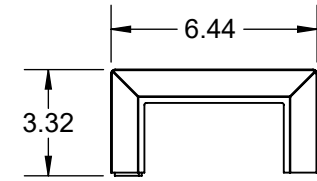
# BRACKETS & ACCESSORIES



LINE BRACKET

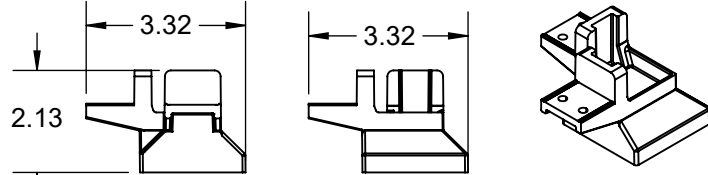


LINE COVER

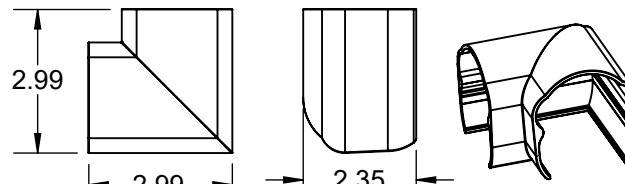


**4.25" TRIM RING**

## OVER THE POST LINE BRACKET

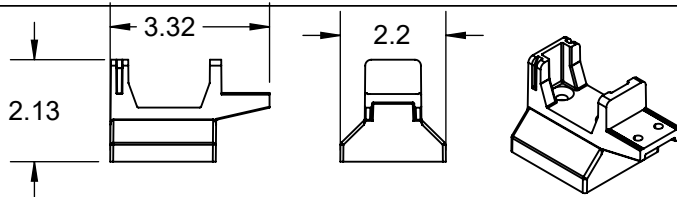


CORNER BRACKET

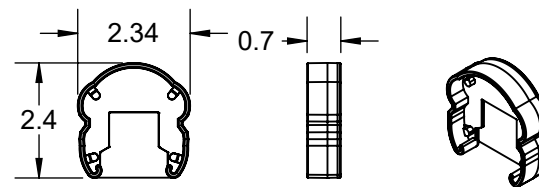


CORNER COVER

## OVER THE POST CORNER BRACKET

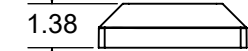
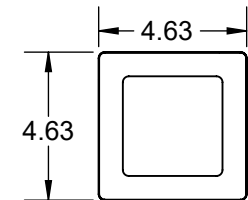


END BRACKET



END COVER

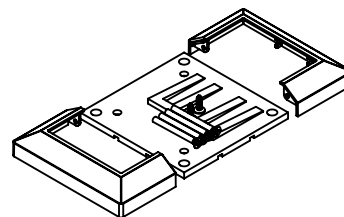
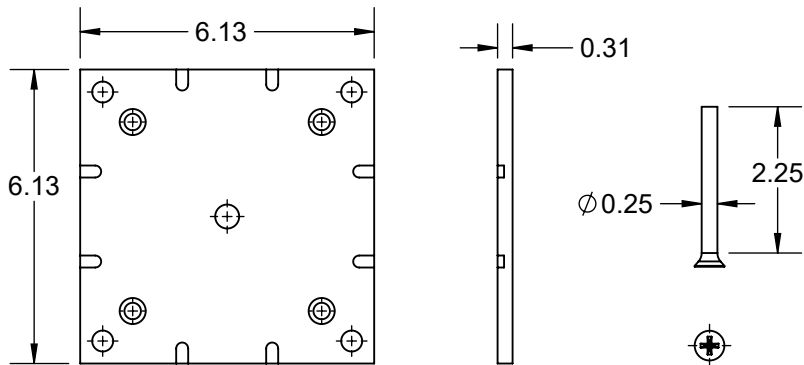
## OVER THE POST END BRACKET



**4.25" FLAT POST CAP**

## 4.25" MOUNTING KIT

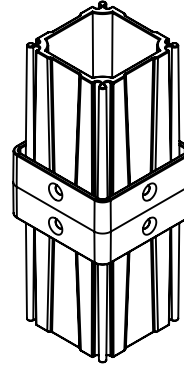
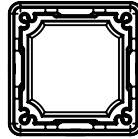
108" POST SLEEVE CAN BE USED AS A STRUCTURAL POST  
(REQUIRES 2 MOUNTING KITS)



MOUNTING KIT COMES WITH TRIM RING

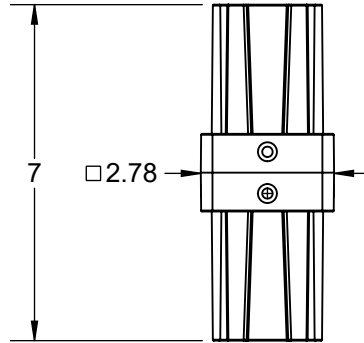
<b>Barrette</b> OUTDOOR LIVING		
DRAWN: CH	DATE: 6/16/2021	APPROVED:
DESCRIPTION: <b>AVALON ACCESSORIES</b>		
SHEET 13 OF 16	REVISION	PART NUMBER
SCALE 1:4		N/A
WEIGHT: N/A		

## ACCESSORIES

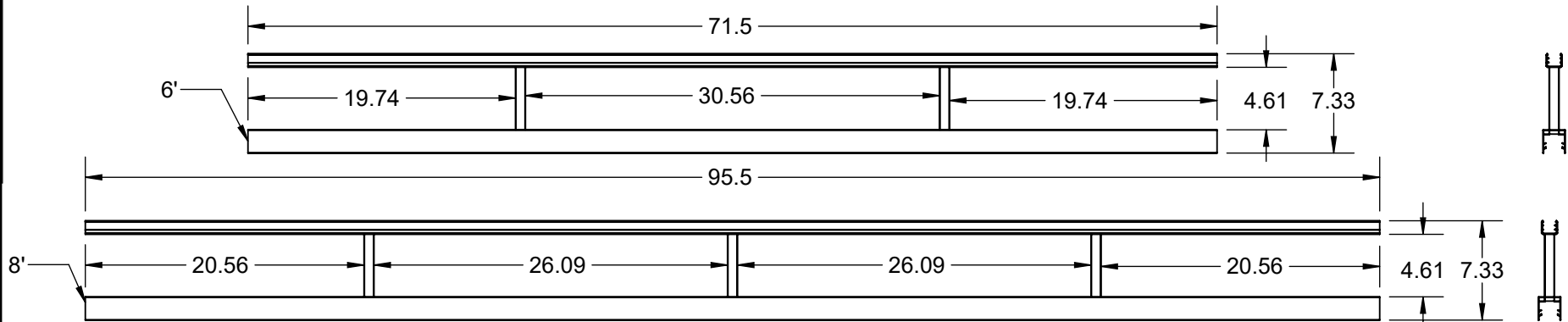


**NOTES:**

- 1) POST EXTENSION COMES WITH SCREWS, (2) J-HOOKS AND A 65" POST. FOR HANGING LIGHTS HIGH ABOVE RAILING.



### POST EXTENSION



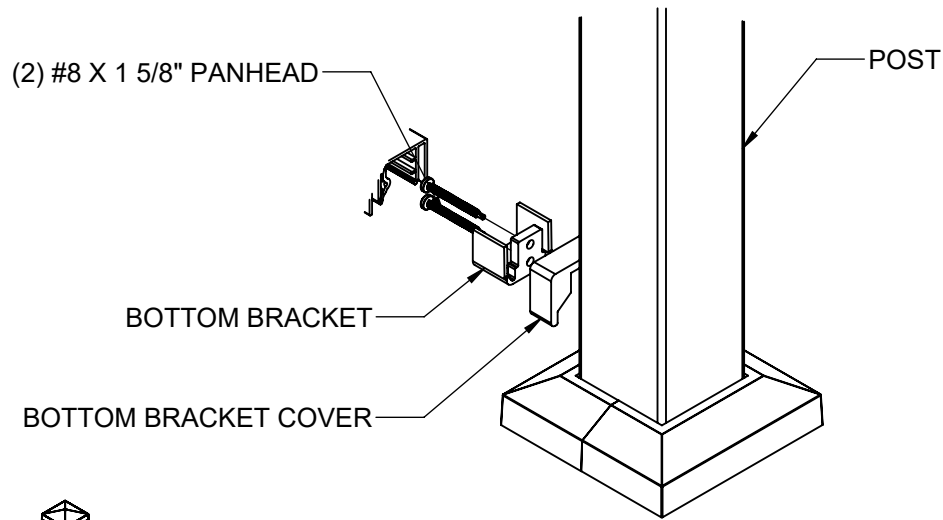
### 2 - TO - 3 RAIL ADAPTER

**NOTES:**

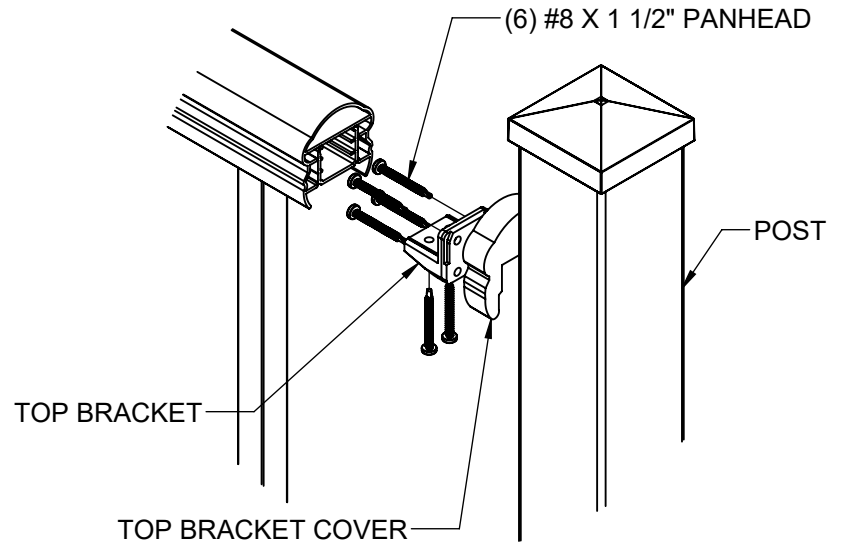
- 1) 2-3 RAIL ADAPTER FITS OVER SMALL AVALON TOP RAIL.
- 2) COMES WITH SCREWS AND TWO BRACKETS.
- 3) 6' AND 8' AVAILABLE

**Barrette**  
OUTDOOR LIVING

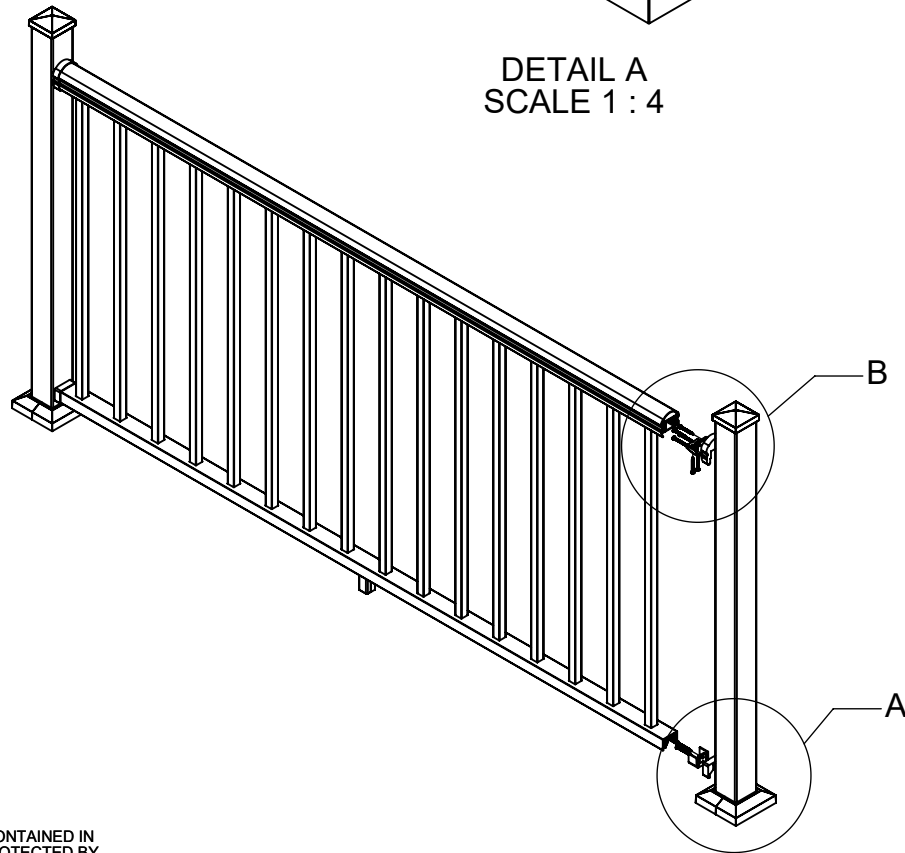
DRAWN:	CH	DATE:	11/22/2021	APPROVED:
DESCRIPTION:				
<b>AVALON ACCESSORIES</b>				
SHEET 14 OF 16		REVISION		PART NUMBER
SCALE 1:4		0		N/A
WEIGHT: N/A				



DETAIL A  
SCALE 1 : 4

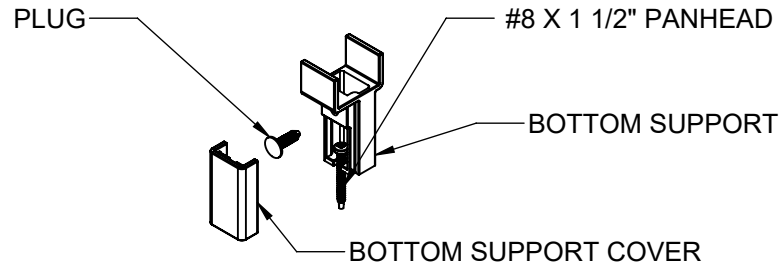


DETAIL B  
SCALE 1 : 4

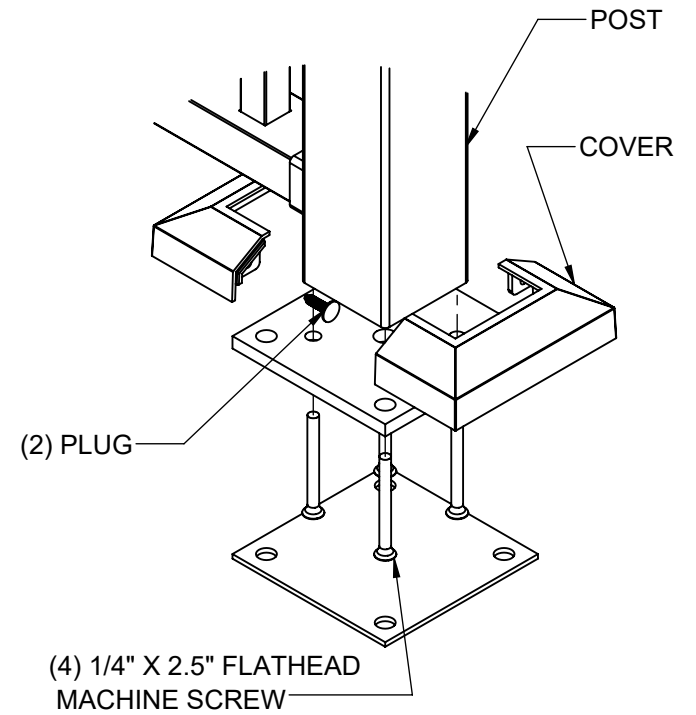


THE INFORMATION CONTAINED IN THIS DRAWING IS PROTECTED BY COPYRIGHT AND PATENT LAWS OF THE UNITED STATES AND OTHER COUNTRIES. ANY REPRODUCTION IN PART OR AS A WHOLE WITHOUT WRITTEN PERMISSION IS PROHIBITED.

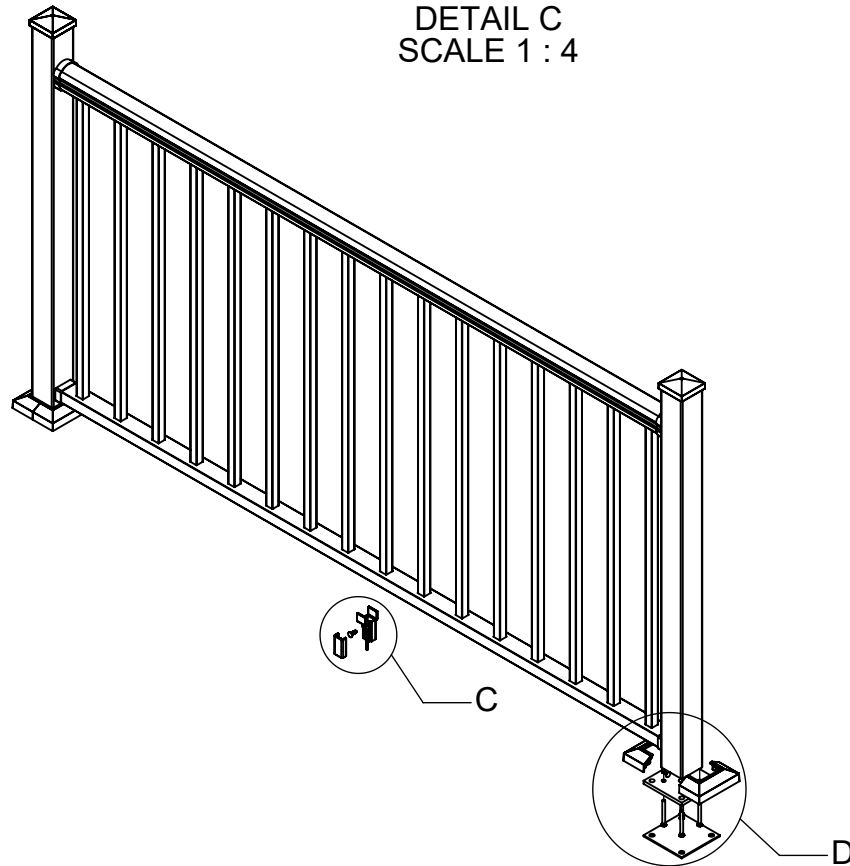
<b>Barrette</b> OUTDOOR LIVING		
DRAWN: CH	DATE: 6/16/2021	APPROVED:
DESCRIPTION: <b>AVALON FASTENER DETAIL</b>		
SHEET 15 OF 16	REVISION	PART NUMBER
SCALE 1:16		N/A
WEIGHT: N/A		




DETAIL C  
SCALE 1 : 4



DETAIL D  
SCALE 1 : 4



THE INFORMATION CONTAINED IN THIS DRAWING IS PROTECTED BY COPYRIGHT AND PATENT LAWS OF THE UNITED STATES AND OTHER COUNTRIES. ANY REPRODUCTION IN PART OR AS A WHOLE WITHOUT WRITTEN PERMISSION IS PROHIBITED.

<b>Barrette</b> OUTDOOR LIVING 		
DRAWN: CH	DATE: 6/16/2021	APPROVED:
DESCRIPTION: <b>AVALON FASTENER DETAIL</b>		
SHEET 16 OF 16	REVISION	PART NUMBER
SCALE 1:16	0	N/A
WEIGHT: N/A		