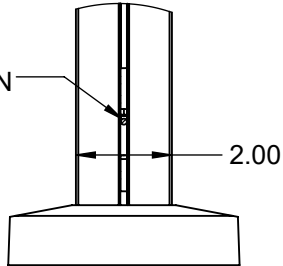


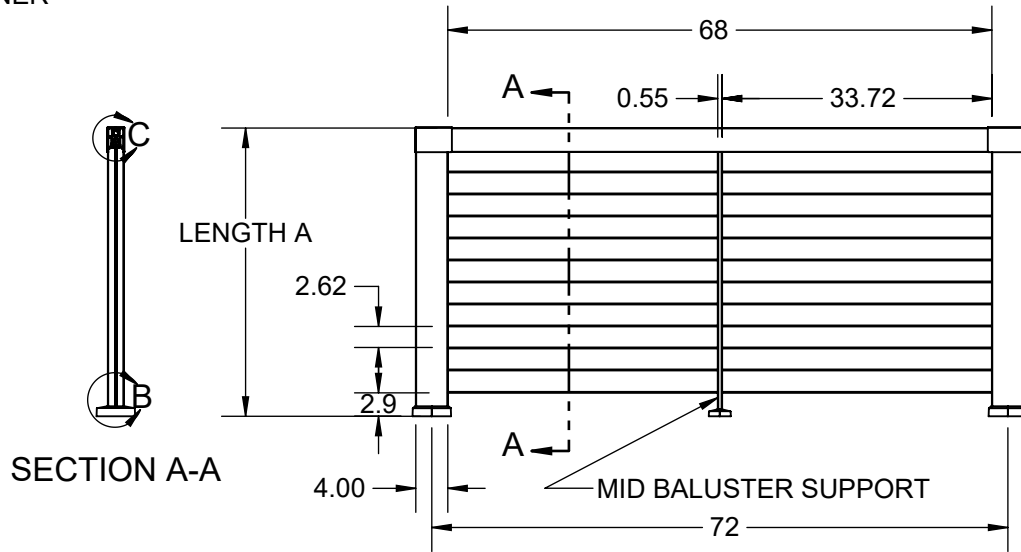
ELEVATION RAIL DETAILS

DETAIL C
SCALE 1 : 4

Ø.125" CABLE
7X7 WIRE
CONFIGURATION



DETAIL B
SCALE 1 : 4

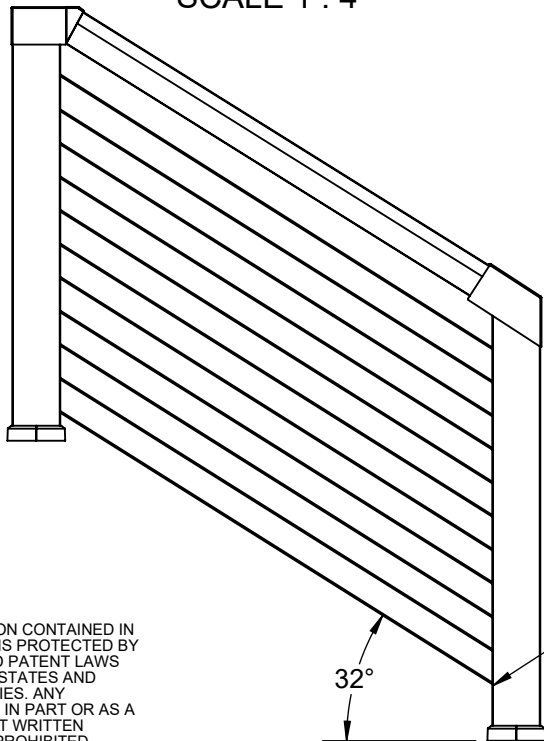


NOTE:

- (A) FINISHED RAIL HEIGHT = 36", 42"
- (B) PANEL LENGTH = 68"
- (C) MAX IRC SPAN = 72"X36"
- (D) MAX IBC SPAN = 72"X42"
- (E) TENSION CABLE TO PREVENT PASSING 4" SPHERE


NOTE:

- (A) MAX STAIR RAIL LENGTH = 60"
- (B) STAIRS AVAILABLE IN 36" AND 42" RAIL HEIGHTS



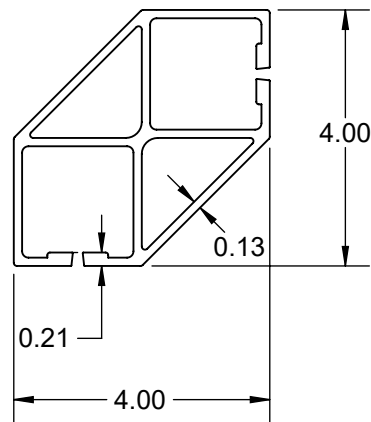
STAIR SECTIONS HAVE
A WORKING RANGE OF
26-38 DEGREES

THE INFORMATION CONTAINED IN THIS DRAWING IS PROTECTED BY COPYRIGHT AND PATENT LAWS OF THE UNITED STATES AND OTHER COUNTRIES. ANY REPRODUCTION IN PART OR AS A WHOLE WITHOUT WRITTEN PERMISSION IS PROHIBITED.

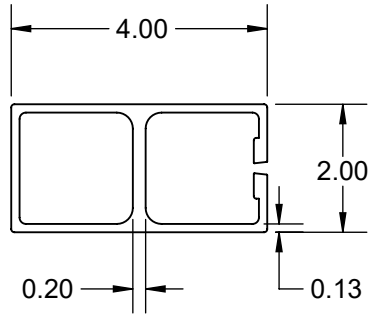
		
DRAWN: CH	DATE: 08/30/2024	APPROVED:
DESCRIPTION: ELEVATION LEVEL AND STAIR RAIL		
SHEET 1 OF 7	REVISION	PART NUMBER
SCALE 1:24	0	N/A
WEIGHT: N/A		

POSTS AND RAILS

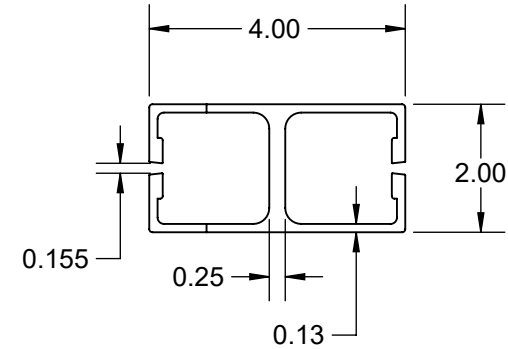
CORNER



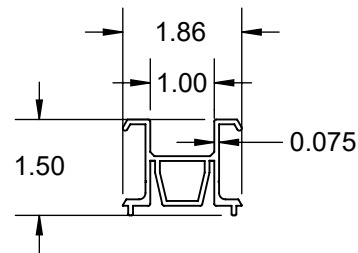
END



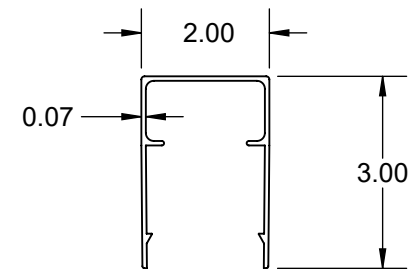
MID



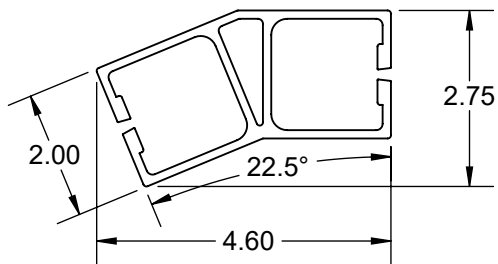
BEAM



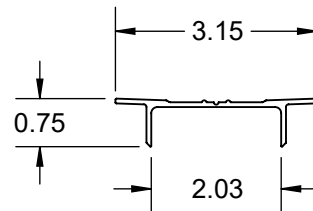
RAIL



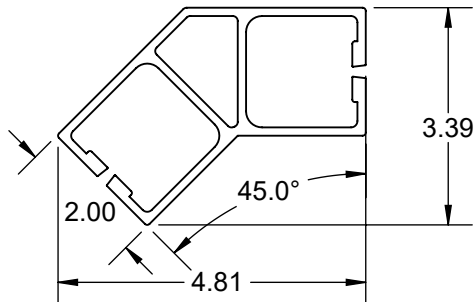
22.5° POST



DECKBOARD ADAPTER



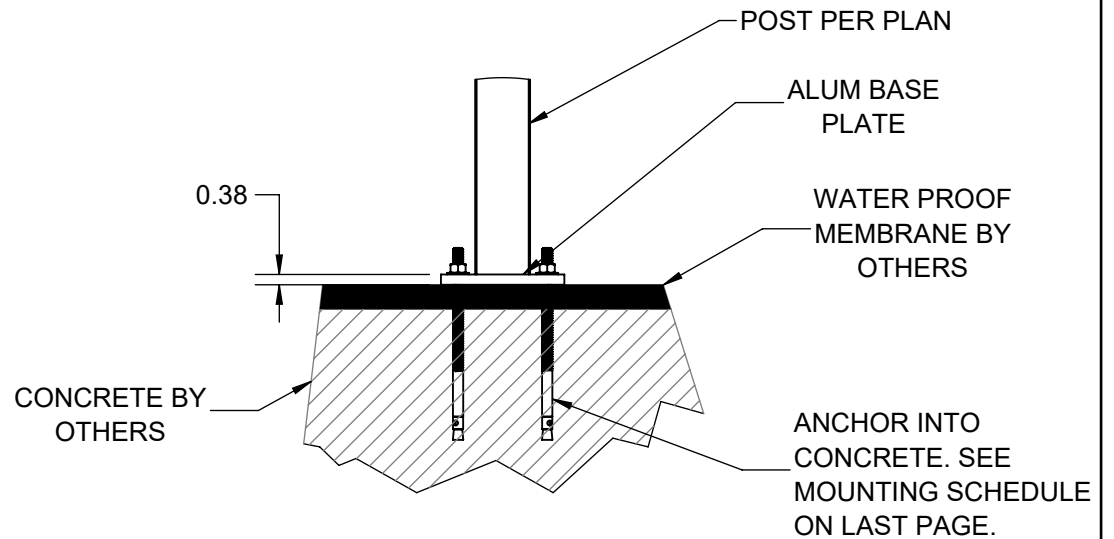
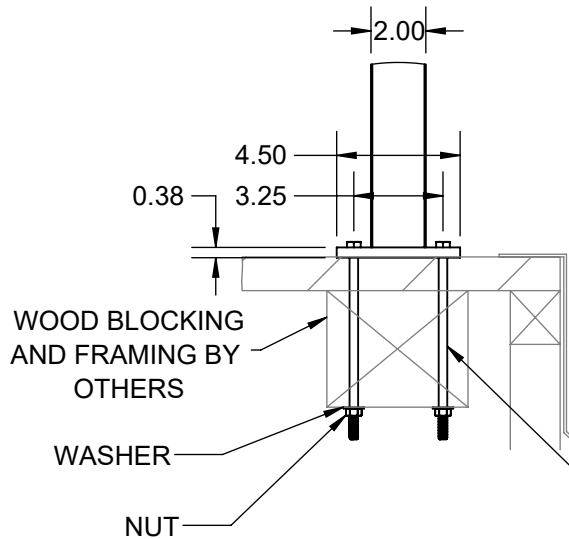
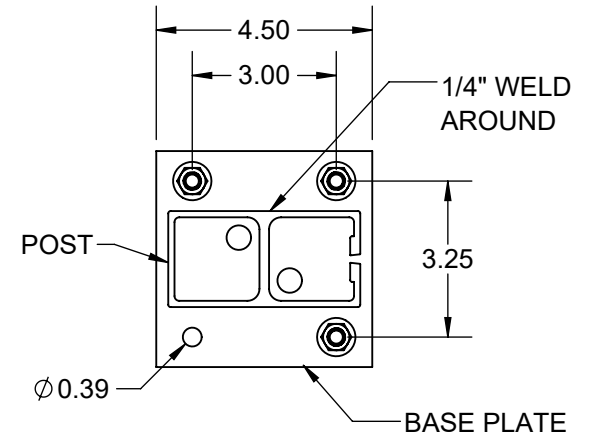
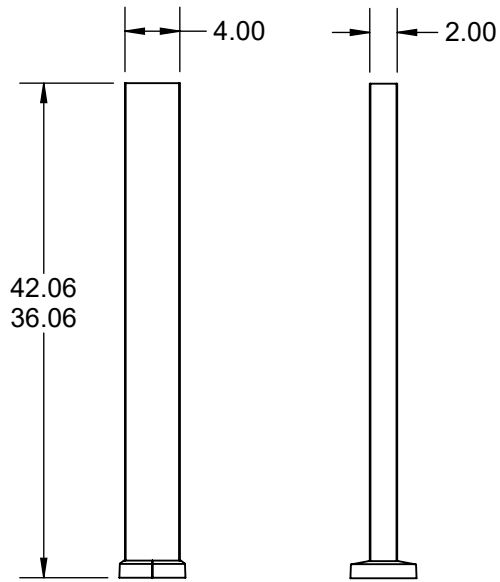
45° POST



THE INFORMATION CONTAINED IN THIS DRAWING IS PROTECTED BY COPYRIGHT AND PATENT LAWS OF THE UNITED STATES AND OTHER COUNTRIES. ANY REPRODUCTION IN PART OR AS A WHOLE WITHOUT WRITTEN PERMISSION IS PROHIBITED.

		
DRAWN: CH	DATE: 08/30/2024	APPROVED:
DESCRIPTION: POST AND RAIL DETAILS		
SHEET 2 OF 7	REVISION	PART NUMBER
SCALE 1:3	0	N/A
WEIGHT: N/A		

SURFACE MOUNT DETAILS

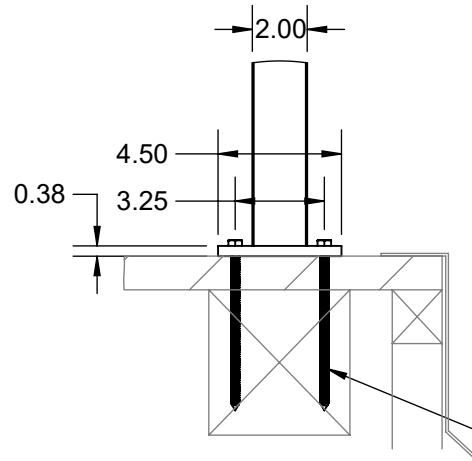


3/8" DIAMETER THROUGH BOLTS INTO SOLID WOOD .
SEE MOUNTING SCHEDULE ON LAST PAGE.

THE INFORMATION CONTAINED IN THIS DRAWING IS PROTECTED BY COPYRIGHT AND PATENT LAWS OF THE UNITED STATES AND OTHER COUNTRIES. ANY REPRODUCTION IN PART OR AS A WHOLE WITHOUT WRITTEN PERMISSION IS PROHIBITED.


Oldcastle APG <small>A CRH COMPANY</small>		
DRAWN: CH	DATE: 08/30/2024	APPROVED:
DESCRIPTION: SURFACE MOUNT DETAILS		
SHEET 3 OF 7	REVISION	PART NUMBER
SCALE 1:1	0	N/A
WEIGHT: N/A		

SURFACE MOUNT DETAILS



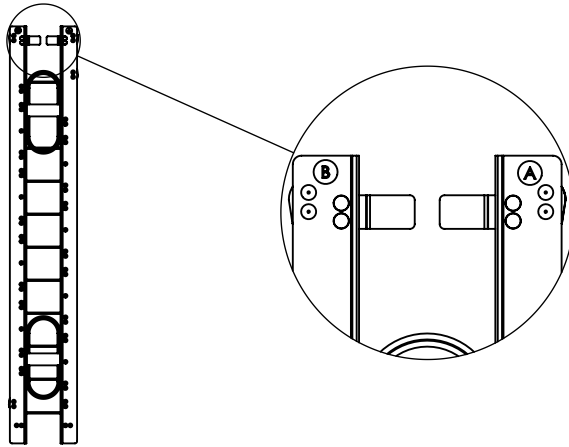
4 LAG BOLTS INTO SOLID
WOOD 3/8" DIAMETER MINIMUM.
SEE MOUNTING SCHEDULE ON
LAST PAGE

THE INFORMATION CONTAINED IN
THIS DRAWING IS PROTECTED BY
COPYRIGHT AND PATENT LAWS
OF THE UNITED STATES AND
OTHER COUNTRIES. ANY
REPRODUCTION IN PART OR AS A
WHOLE WITHOUT WRITTEN
PERMISSION IS PROHIBITED.

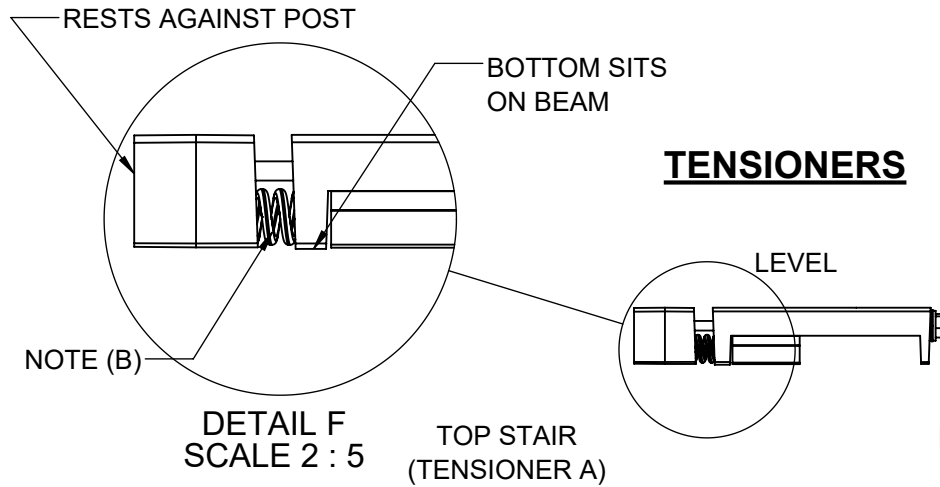
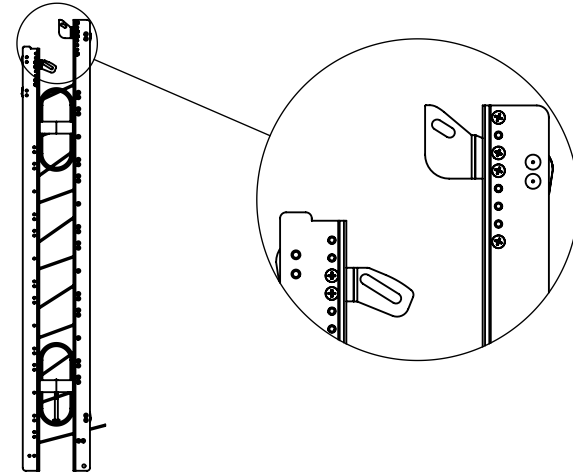
 Oldcastle^{APG} <small>A CRH COMPANY</small>		
DRAWN: CH	DATE: 08/30/2024	APPROVED:
DESCRIPTION: SURFACE MOUNT DETAILS		
SHEET 4 OF 7	REVISION	PART NUMBER
SCALE 1:1	0	N/A
WEIGHT: N/A		

BRACKETS & ACCESSORIES

LEVEL CABLE GUIDES

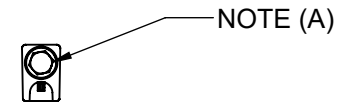


STAIR CABLE GUIDES



NOTE:

- (A) 9/16" SOCKET OR WRENCH USED TO TURN BOLT TO TENSION CABLES
- (B) SPRING WILL COMPRESS AND SPACE WILL CLOSE ONCE 250LB LIMIT IS REACHED



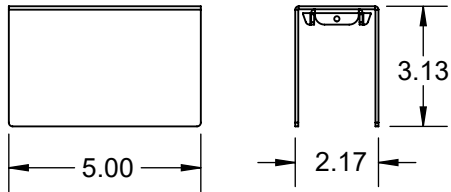
THE INFORMATION CONTAINED IN THIS DRAWING IS PROTECTED BY COPYRIGHT AND PATENT LAWS OF THE UNITED STATES AND OTHER COUNTRIES. ANY REPRODUCTION IN PART OR AS A WHOLE WITHOUT WRITTEN PERMISSION IS PROHIBITED.

Oldcastle^{APG} <small>A CRH COMPANY</small>		
DRAWN: CH	DATE: 08/30/2024	APPROVED:
DESCRIPTION: BRACKETS & ACCESSORIES		
SHEET 5 OF 7	REVISION	PART NUMBER
SCALE 1:2	0	N/A
WEIGHT: N/A		

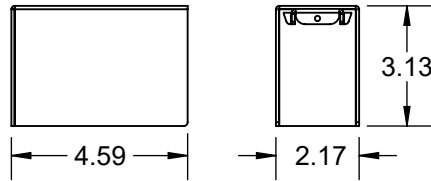
BRACKETS & ACCESSORIES

POST CAPS

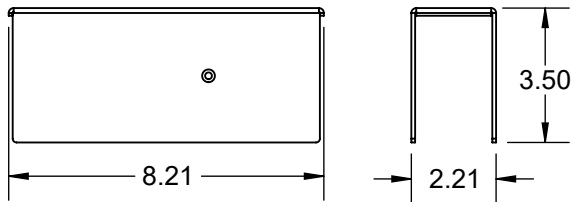
LEVEL LINE CAP



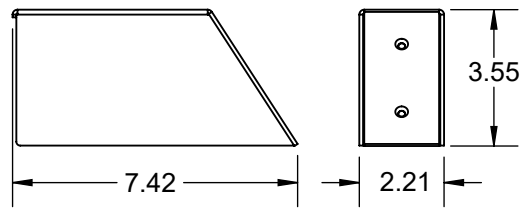
LEVEL END CAP



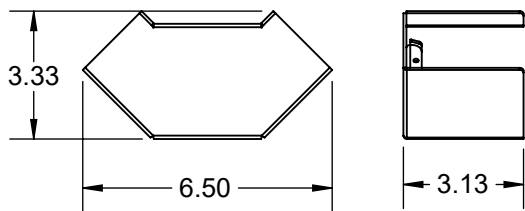
STAIR LINE CAP



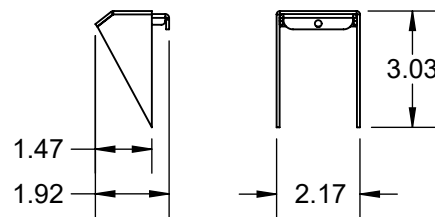
STAIR END CAP



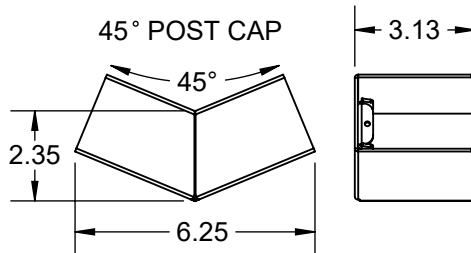
CORNER CAP



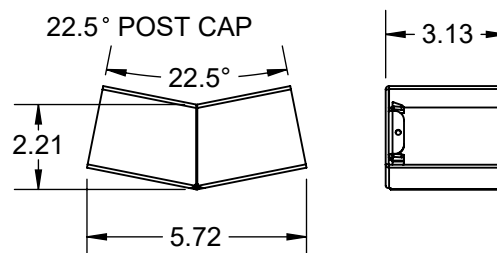
STAIR ADAPTER



45° POST CAP

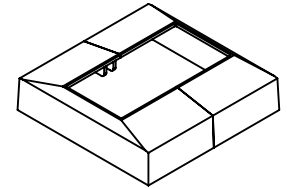
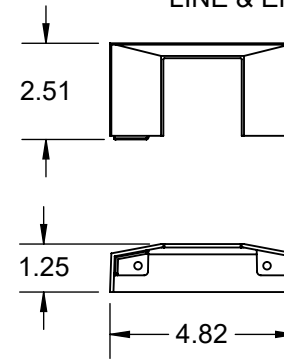


22.5° POST CAP

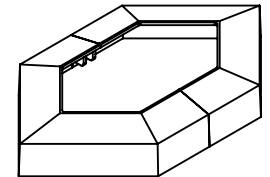
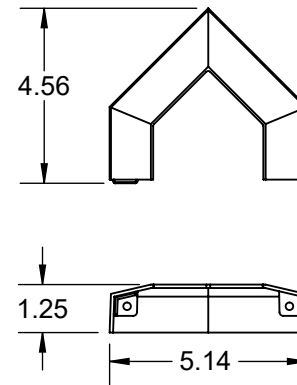


POST TRIMS

LINE & END POST TRIM RING



CORNER POST TRIM RING



THE INFORMATION CONTAINED IN THIS DRAWING IS PROTECTED BY COPYRIGHT AND PATENT LAWS OF THE UNITED STATES AND OTHER COUNTRIES. ANY REPRODUCTION IN PART OR AS A WHOLE WITHOUT WRITTEN PERMISSION IS PROHIBITED.




DRAWN:	CH	DATE:	08/30/2024	APPROVED:
DESCRIPTION:				
BRACKETS & ACCESSORIES				
SHEET 6 OF 7		REVISION	PART NUMBER	
SCALE 1:5		0	N/A	
WEIGHT: N/A				

MOUNTING SCHEDULE

FOR RESIDENTIAL APPLICATIONS 36" HIGH					
PANEL WIDTH	LOAD	RECOMMENDED BOLT APPLICATION	FOR LAG BOLT APPLICATION 3/8" DIA. SCREW. MINIMUM EMBEDDED SCREW THREAD LENGTH REQUIRED	FOR THROUGH BOLT APPLICATION	FOR CONCRETE ANCHOR APPLICATION 3/8" TITAN HD ANCHOR MINIMUM REQUIRED LENGTH (MINIMUM DISTANCE OF 4" FROM EDGE REQUIRED)
6FT	200LBS	LAG BOLT -OR- THROUGH BOLT -OR- CONCRETE ANCHOR	3IN	3/8" HEX BOLT 3/8" FLAT WASHER 3/8" LOCK WASHER 3/8" NUT	3IN
4FT			2.5IN		3IN

FOR COMMERCIAL APPLICATIONS 42" HIGH					
PANEL WIDTH	LOAD	RECOMMENDED BOLT APPLICATION	FOR LAG BOLT APPLICATION 3/8" DIA. SCREW. MINIMUM EMBEDDED SCREW THREAD LENGTH REQUIRED	FOR THROUGH BOLT APPLICATION	FOR CONCRETE ANCHOR APPLICATION 3/8" TITAN HD ANCHOR MINIMUM REQUIRED LENGTH (MINIMUM DISTANCE OF 4" FORM EDGE REQUIRED)
6FT	300LBS	LAG BOLT -OR- THROUGH BOLT -OR- CONCRETE ANCHOR	3IN	3/8" HEX BOLT 3/8" FLAT WASHER 3/8" LOCK WASHER 3/8" NUT	3IN
4FT	200LBS		2.5IN		3IN

THE INFORMATION CONTAINED IN THIS DRAWING IS PROTECTED BY COPYRIGHT AND PATENT LAWS OF THE UNITED STATES AND OTHER COUNTRIES. ANY REPRODUCTION IN PART OR AS A WHOLE WITHOUT WRITTEN PERMISSION IS PROHIBITED.

			
DRAWN:	CH	DATE:	08/30/2024
APPROVED:			
DESCRIPTION: MOUNTING SCHEDULE			
SHEET 7 OF 7		REVISION	PART NUMBER
SCALE 1:1		0	N/A
WEIGHT: N/A			