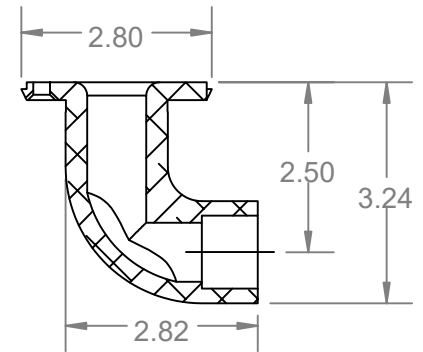
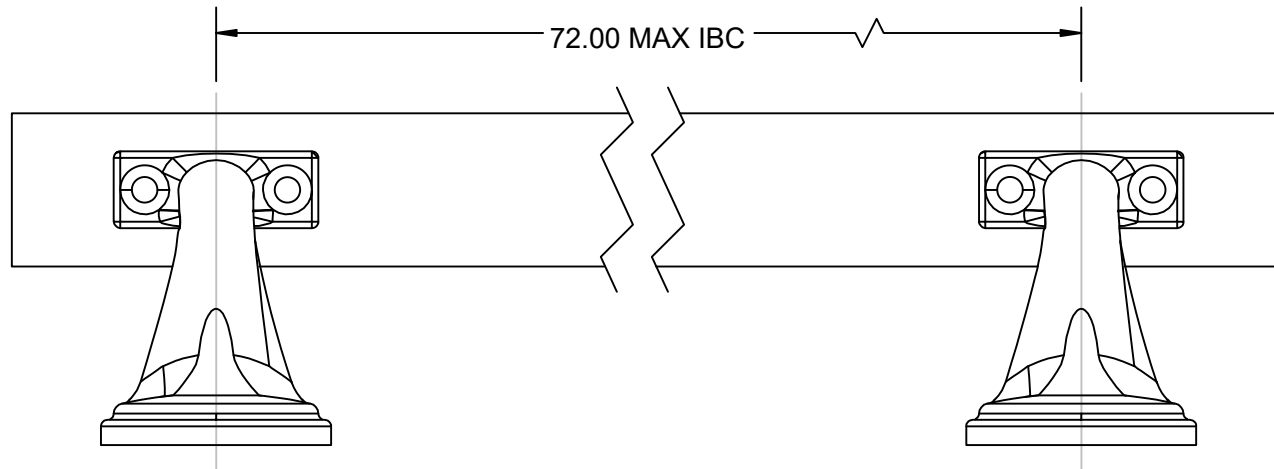
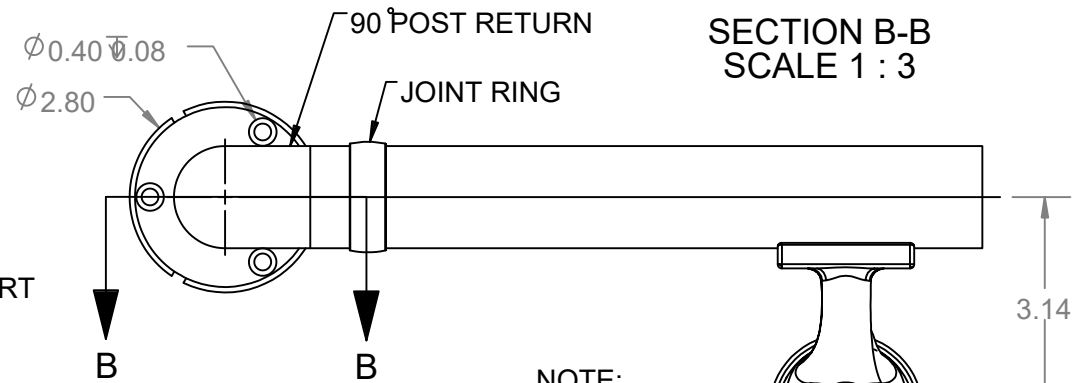
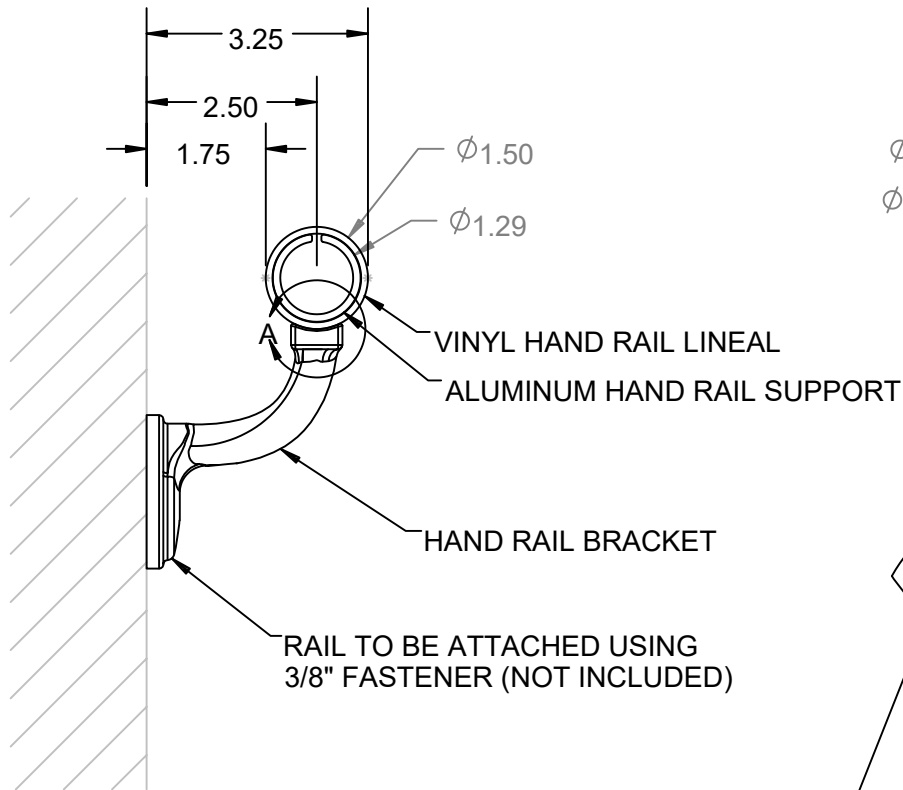


VINYL ADA HAND RAIL DETAILS

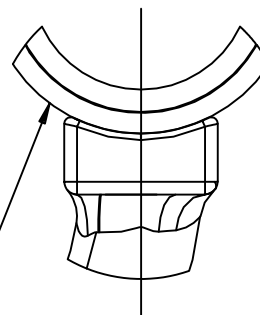


SECTION B-B
SCALE 1 : 3



NOTE:
INCLUDES
CAP COVER

HOLE SIZED FOR
3/8" FASTENER



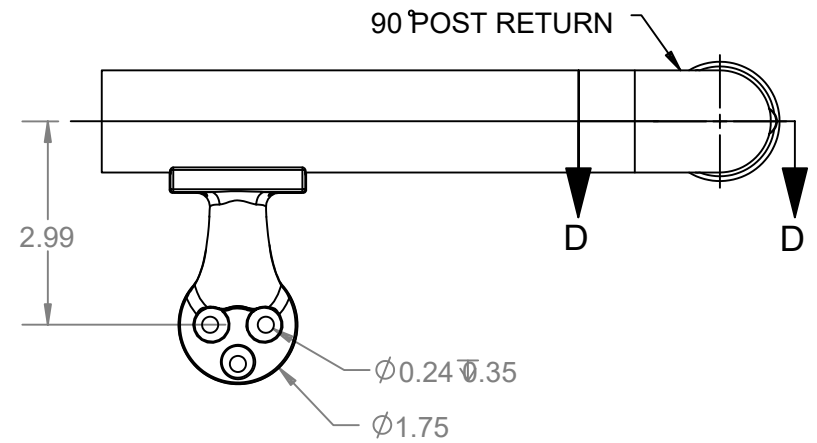
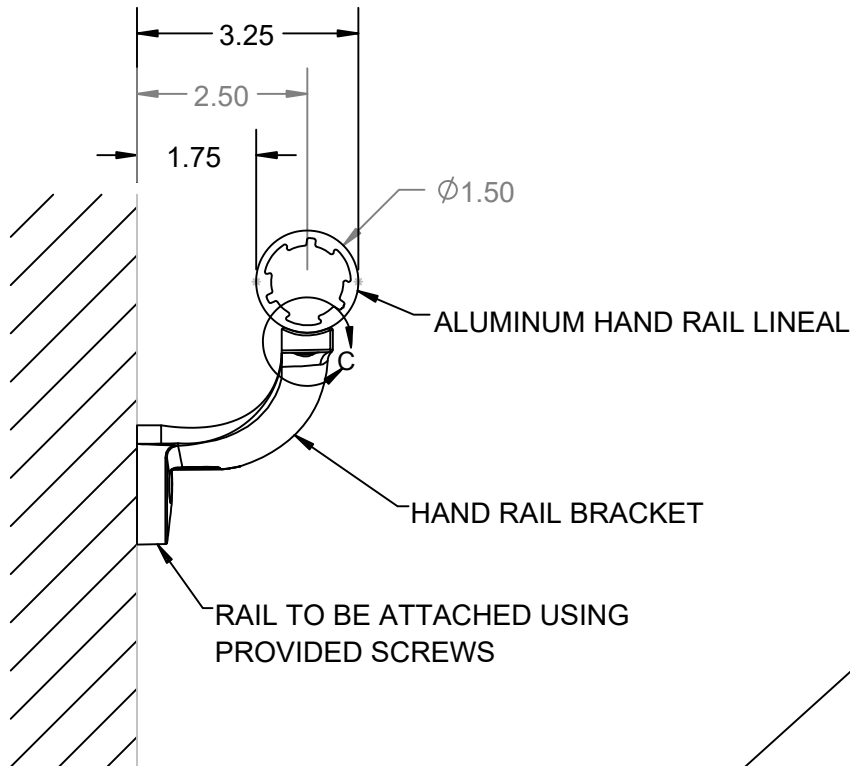
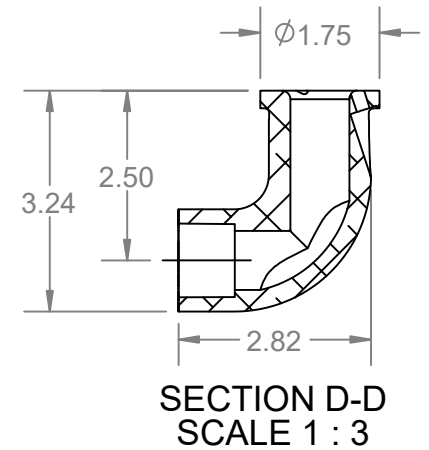
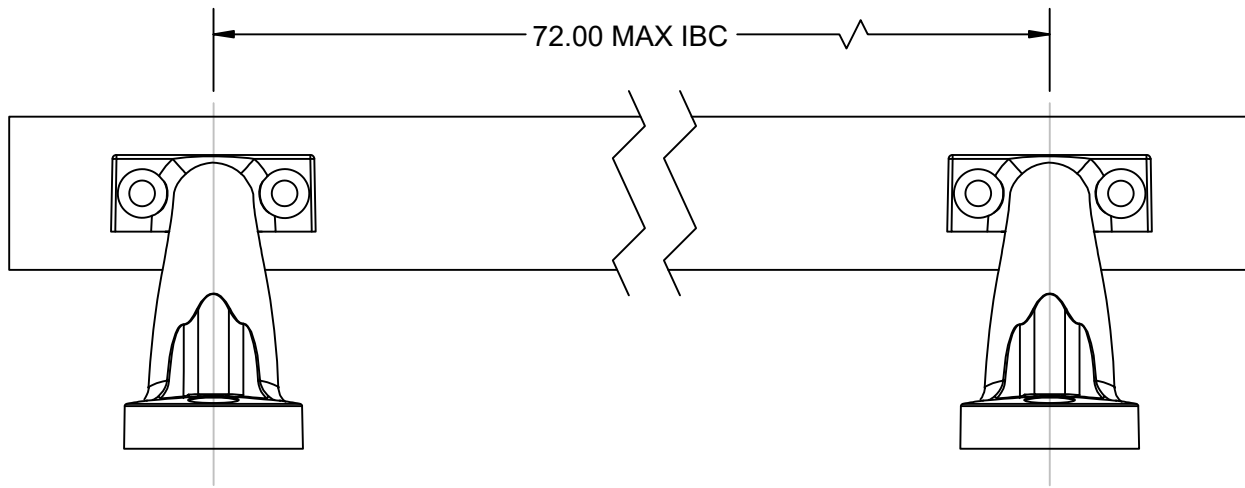
DETAIL A
SCALE 1 : 1

RAIL TO BE ATTACHED TO
BRACKET USING PROVIDED
SCREWS

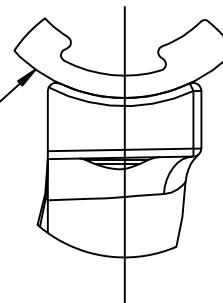
| | | |
|--|-----------------|-------------|
| rdi RAILING | | |
| DRAWN: RP | DATE: 4/17/2018 | APPROVED: |
| DESCRIPTION: VINYL HAND RAIL | | |
| SHEET 1 OF 5 | REVISION | PART NUMBER |
| SCALE 1:8 | 0 | N/A |
| WEIGHT: N/A | | |

THE INFORMATION CONTAINED IN THIS DRAWING IS PROTECTED BY COPYRIGHT AND PATENT LAWS OF THE UNITED STATES AND OTHER COUNTRIES. ANY REPRODUCTION IN PART OR AS A WHOLE WITHOUT WRITTEN PERMISSION IS PROHIBITED.

ALUMINUM ADA HAND RAIL DETAILS



RAIL TO BE ATTACHED TO BRACKET USING PROVIDED SCREWS

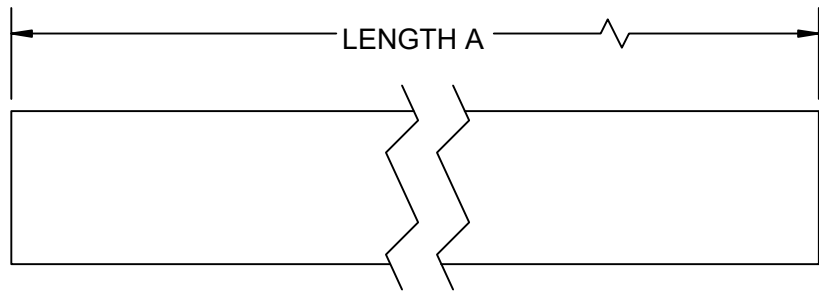
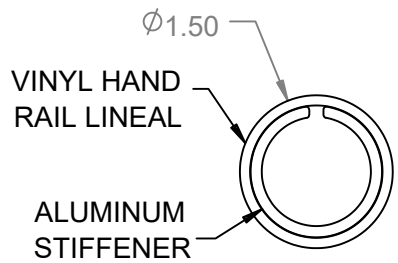


DETAIL C
SCALE 1 : 1

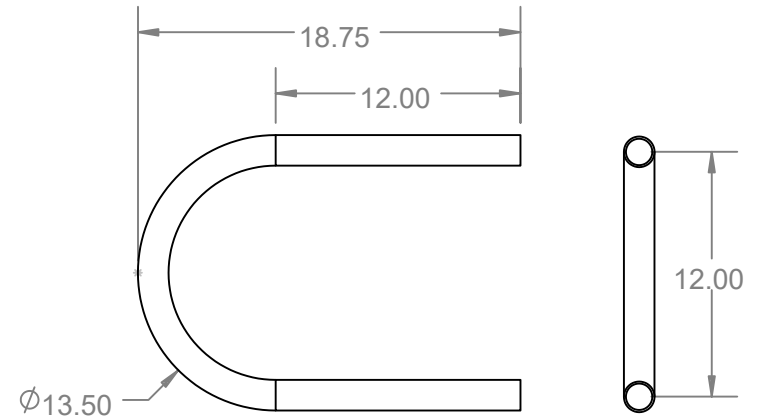
| | | |
|---|-----------------|-------------|
| rdi RAILING | | |
| DRAWN: RP | DATE: 4/17/2018 | APPROVED: |
| DESCRIPTION: ALUMINUM HAND RAIL | | |
| SHEET 2 OF 5 | REVISION | PART NUMBER |
| SCALE 1:8 | 0 | N/A |
| WEIGHT: N/A | | |

THE INFORMATION CONTAINED IN THIS DRAWING IS PROTECTED BY COPYRIGHT AND PATENT LAWS OF THE UNITED STATES AND OTHER COUNTRIES. ANY REPRODUCTION IN PART OR AS A WHOLE WITHOUT WRITTEN PERMISSION IS PROHIBITED.

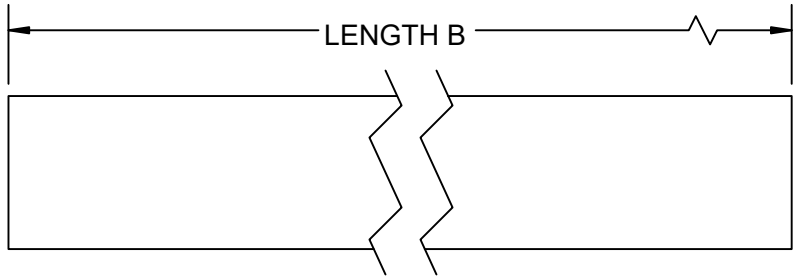
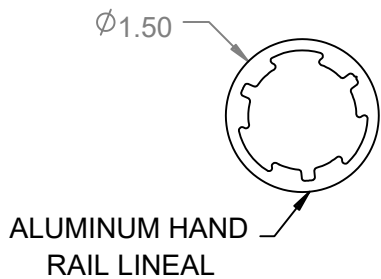
HAND RAIL COMPONENTS DETAILS



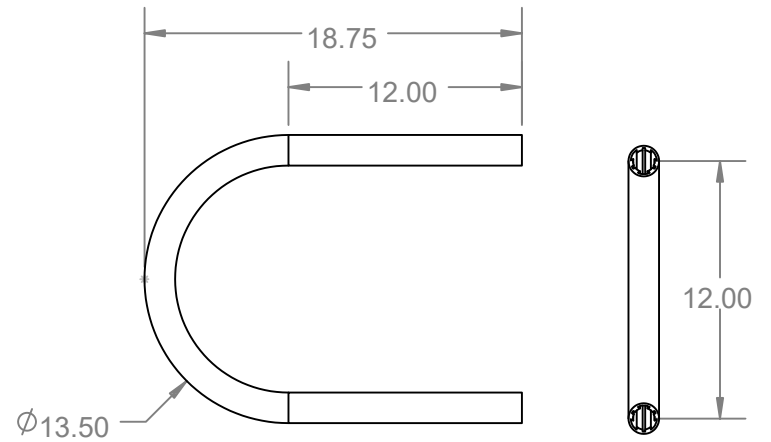
NOTE:
(A) VINYL LINEAL LENGTH = 80", 104", 120"



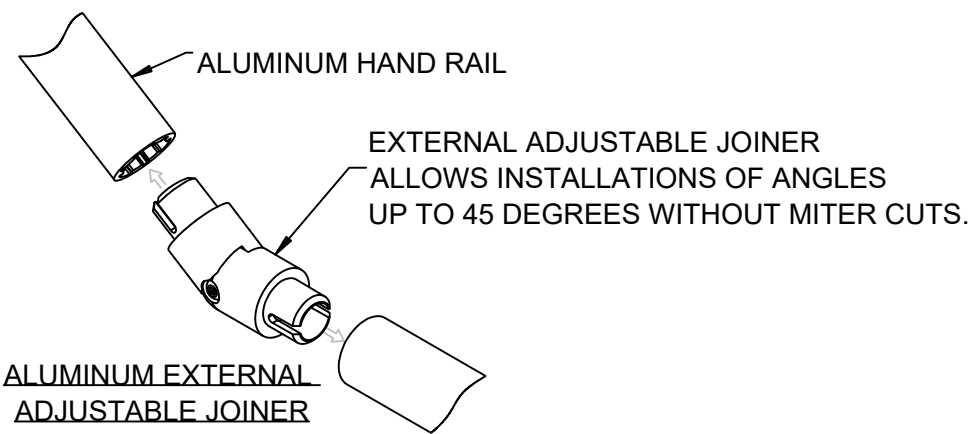
VINYL 180° RETURN LOOP



NOTE:
(B) ALUMINUM LINEAL LENGTH = 80", 104", 120"



ALUMINUM 180° RETURN LOOP



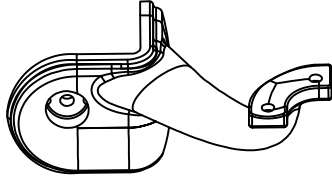
ALUMINUM EXTERNAL ADJUSTABLE JOINER

THE INFORMATION CONTAINED IN THIS DRAWING IS PROTECTED BY COPYRIGHT AND PATENT LAWS OF THE UNITED STATES AND OTHER COUNTRIES. ANY REPRODUCTION IN PART OR AS A WHOLE WITHOUT WRITTEN PERMISSION IS PROHIBITED.

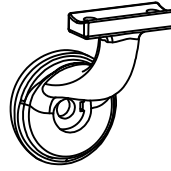
| | | |
|-----------------------------|-----------------|-------------|
| rdi RAILING | | |
| DRAWN: RP | DATE: 4/17/2018 | APPROVED: |
| HAND RAIL COMPONENTS | | |
| SHEET 3 OF 5 | REVISION | PART NUMBER |
| SCALE 1:8 | 0 | N/A |
| WEIGHT: N/A | | |

VINYL BRACKET COMPONENTS

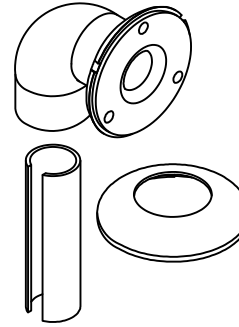
INSIDE
CORNER BRKT



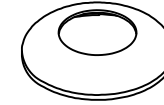
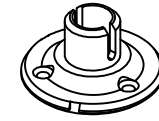
MOUNTING BRKT



90° POST
RETURN



STRAIGHT WALL
RETURN



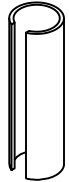
PVC COVER

NOTE:

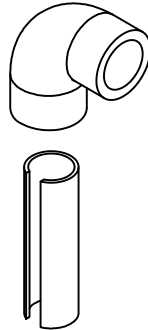
1. BRACKETS INCLUDE SCREWS TO ATTACH
HANDRAILS; SCREWS TO ATTACH TO POST
SOLD SEPARATELY

VINYL JOINER COMPONENTS

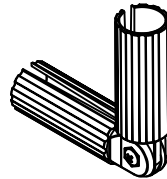
STRAIGHT
JOINER



90° CORNER

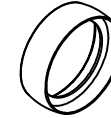


INTERNAL ADJUSTABLE
JOINER



VINYL ACCESSORIES

JOINT RING



END CAP

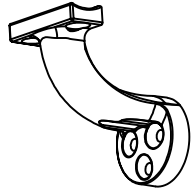


| | | |
|--|--------------------------------|--|
| <small>DRAWN:</small> RP | <small>DATE:</small> 4/17/2018 | <small>APPROVED:</small> |
| <small>DESCRIPTION:</small> VINYL HAND RAIL COMPONENTS | | |
| <small>SHEET 4 OF 5</small> | <small>REVISION</small> 0 | <small>PART NUMBER</small> N/A |
| <small>SCALE 1:4</small> | | |
| <small>WEIGHT: N/A</small> | | |

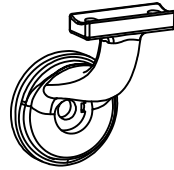
THE INFORMATION CONTAINED IN THIS DRAWING IS PROTECTED BY COPYRIGHT AND PATENT LAWS OF THE UNITED STATES AND OTHER COUNTRIES. ANY REPRODUCTION IN PART OR AS A WHOLE WITHOUT WRITTEN PERMISSION IS PROHIBITED.

ALUMINUM HAND RAIL COMPONENTS

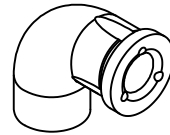
MOUNTING BRKT



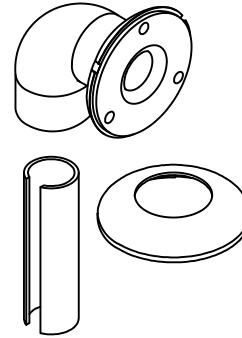
MOUNTING BRKT FOR VINYL POSTS



90° POST RETURN



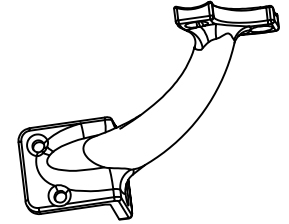
90° POST RETURN FOR VINYL POSTS



STRAIGHT WALL RETURN



INSIDE CORNER MOUNTING BRKT

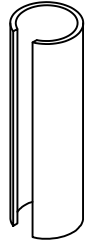


NOTE:

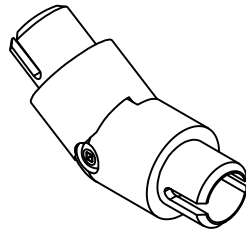
1. BRACKETS INCLUDE SCREWS TO ATTACH HANDRAILS AND HARDWARE FOR POSTS

ALUMINUM JOINER COMPONENTS

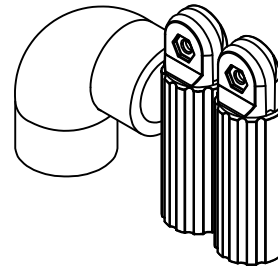
STRAIGHT JOINER



EXTERNAL ADJUSTABLE JOINER

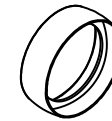


90° CORNER

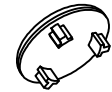


ALUMINUM ACCESSORIES

JOINT RING



END CAP



SPACER BLOCK



DRAWN: RP DATE: 10/25/2018 APPROVED:

DESCRIPTION: **ALUMINUM HAND RAIL COMPONENTS**

| | | |
|--------------|----------|-------------|
| SHEET 5 OF 5 | REVISION | PART NUMBER |
| SCALE 1:4 | 0 | N/A |
| WEIGHT: N/A | | |

THE INFORMATION CONTAINED IN THIS DRAWING IS PROTECTED BY COPYRIGHT AND PATENT LAWS OF THE UNITED STATES AND OTHER COUNTRIES. ANY REPRODUCTION IN PART OR AS A WHOLE WITHOUT WRITTEN PERMISSION IS PROHIBITED.