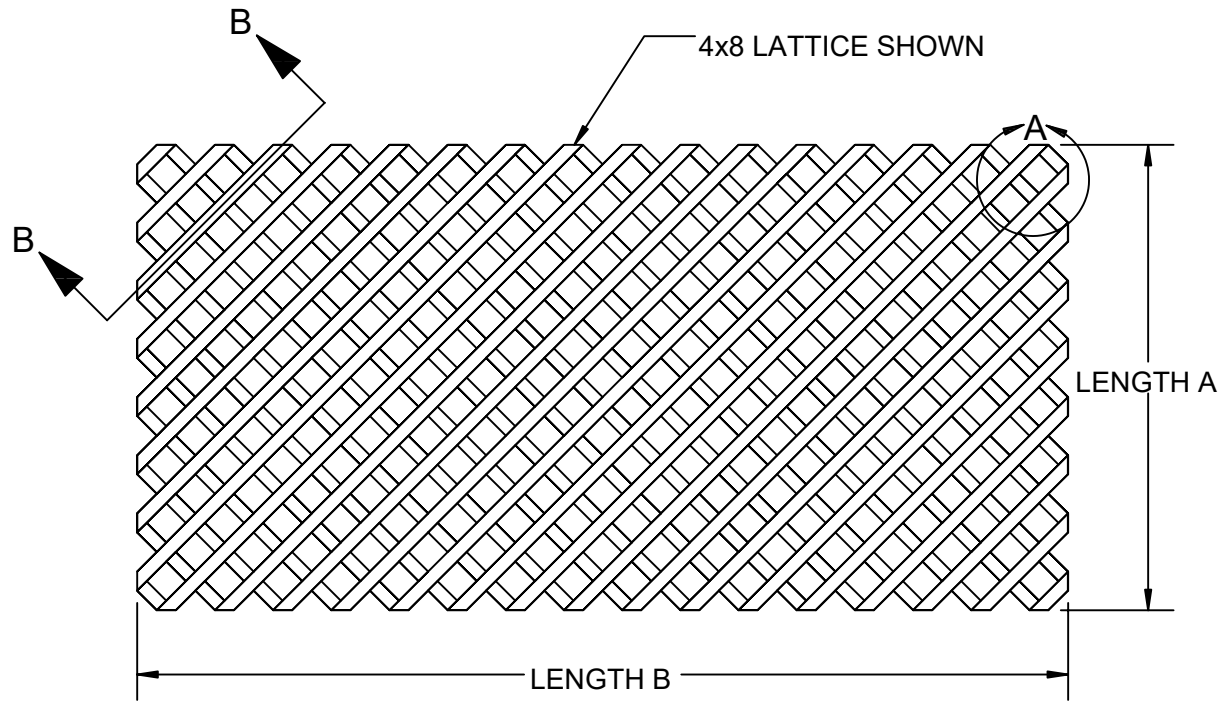
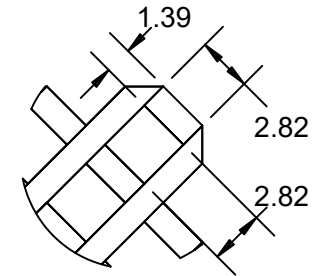


CLASSIC DIAMOND LATTICE DETAILS



NOTE:
 (A) = 24", 48"
 (B) = 96"



DETAIL A
 SCALE 2 : 21



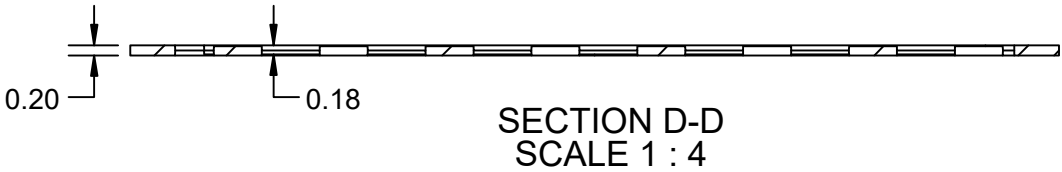
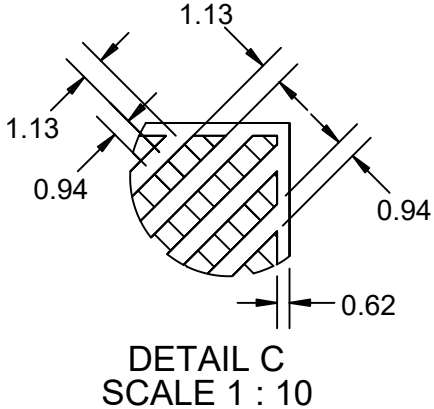
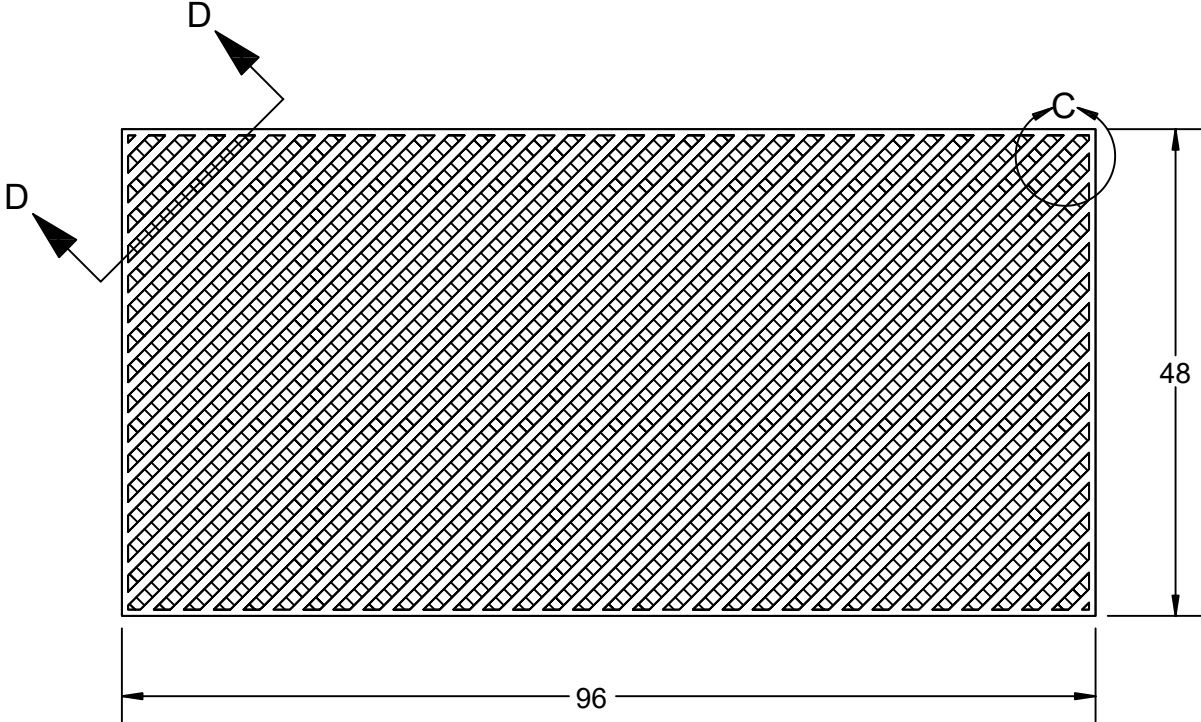
SECTION B-B
 SCALE 1 : 4




DRAWN:	RP	DATE:	06/06/2018	APPROVED:	
DESCRIPTION: CLASSIC DIAMOND LATTICE					
SHEET 1 OF 3		REVISION	PART NUMBER		
SCALE 1:21		0	N/A		
WEIGHT: N/A					

THE INFORMATION CONTAINED IN THIS DRAWING IS PROTECTED BY COPYRIGHT AND PATENT LAWS OF THE UNITED STATES AND OTHER COUNTRIES. ANY REPRODUCTION IN PART OR AS A WHOLE WITHOUT WRITTEN PERMISSION IS PROHIBITED.

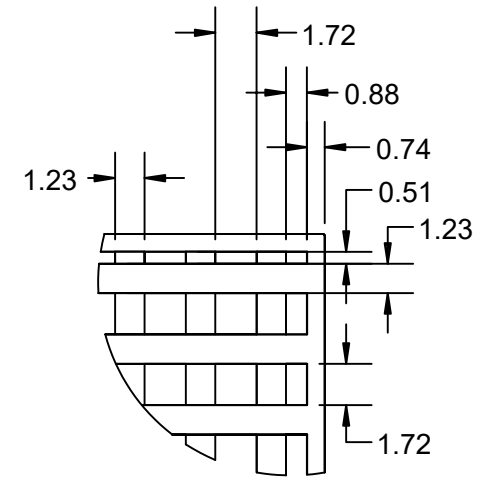
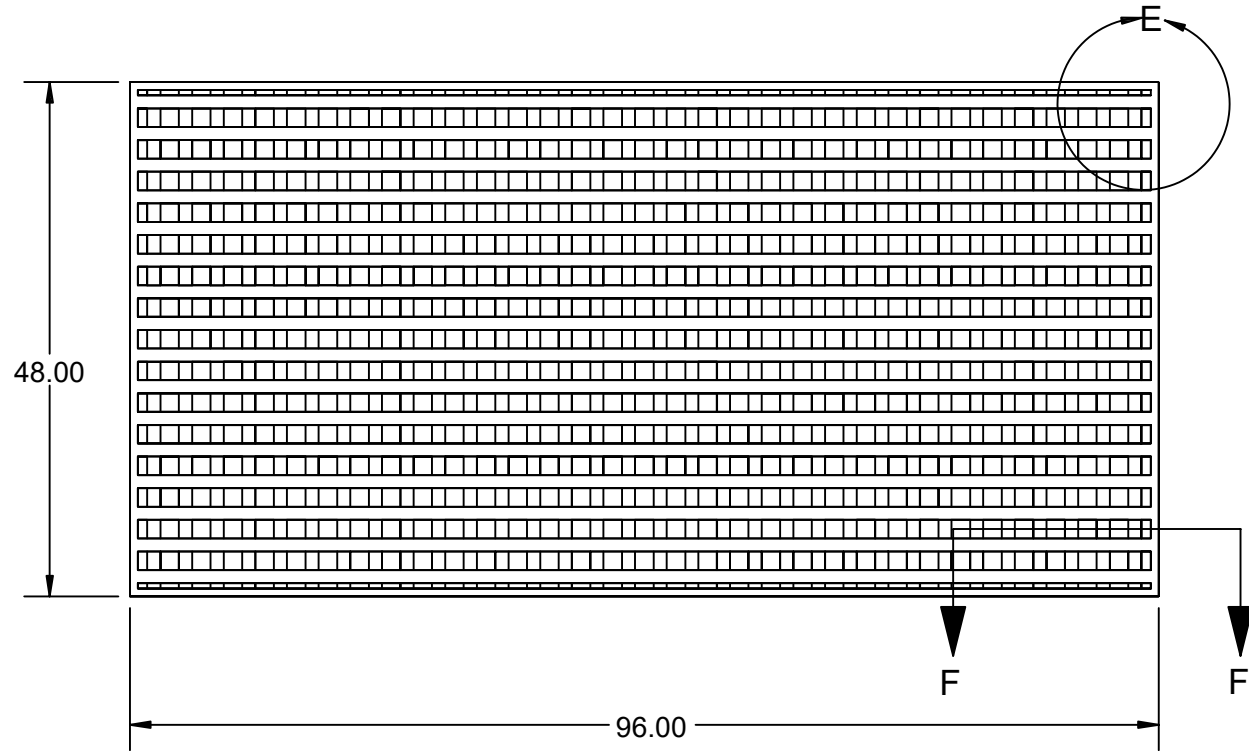
PRIVACY DIAMOND LATTICE DETAILS



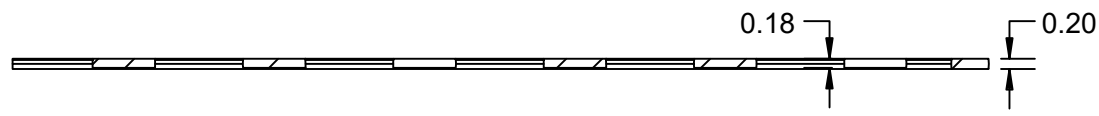
THE INFORMATION CONTAINED IN THIS DRAWING IS PROTECTED BY COPYRIGHT AND PATENT LAWS OF THE UNITED STATES AND OTHER COUNTRIES. ANY REPRODUCTION IN PART OR AS A WHOLE WITHOUT WRITTEN PERMISSION IS PROHIBITED.

		
DRAWN: RP	DATE: 06/06/2018	APPROVED:
DESCRIPTION: PRIVACY DIAMOND LATTICE 4'x8'		
SHEET 2 OF 3	REVISION	PART NUMBER
SCALE 1:20	0	N/A
WEIGHT: N/A		

PRIVACY SQUARE LATTICE DETAILS



DETAIL E
SCALE 2 : 17



SECTION F-F
SCALE 1 : 4



DRAWN:	RP	DATE:	06/06/2018	APPROVED:	
DESCRIPTION:					
PRIVACY SQUARE LATTICE 4'x8'					
SHEET 3 OF 3		REVISION		PART NUMBER	
SCALE 1:19		0		N/A	
WEIGHT: N/A					

THE INFORMATION CONTAINED IN THIS DRAWING IS PROTECTED BY COPYRIGHT AND PATENT LAWS OF THE UNITED STATES AND OTHER COUNTRIES. ANY REPRODUCTION IN PART OR AS A WHOLE WITHOUT WRITTEN PERMISSION IS PROHIBITED.