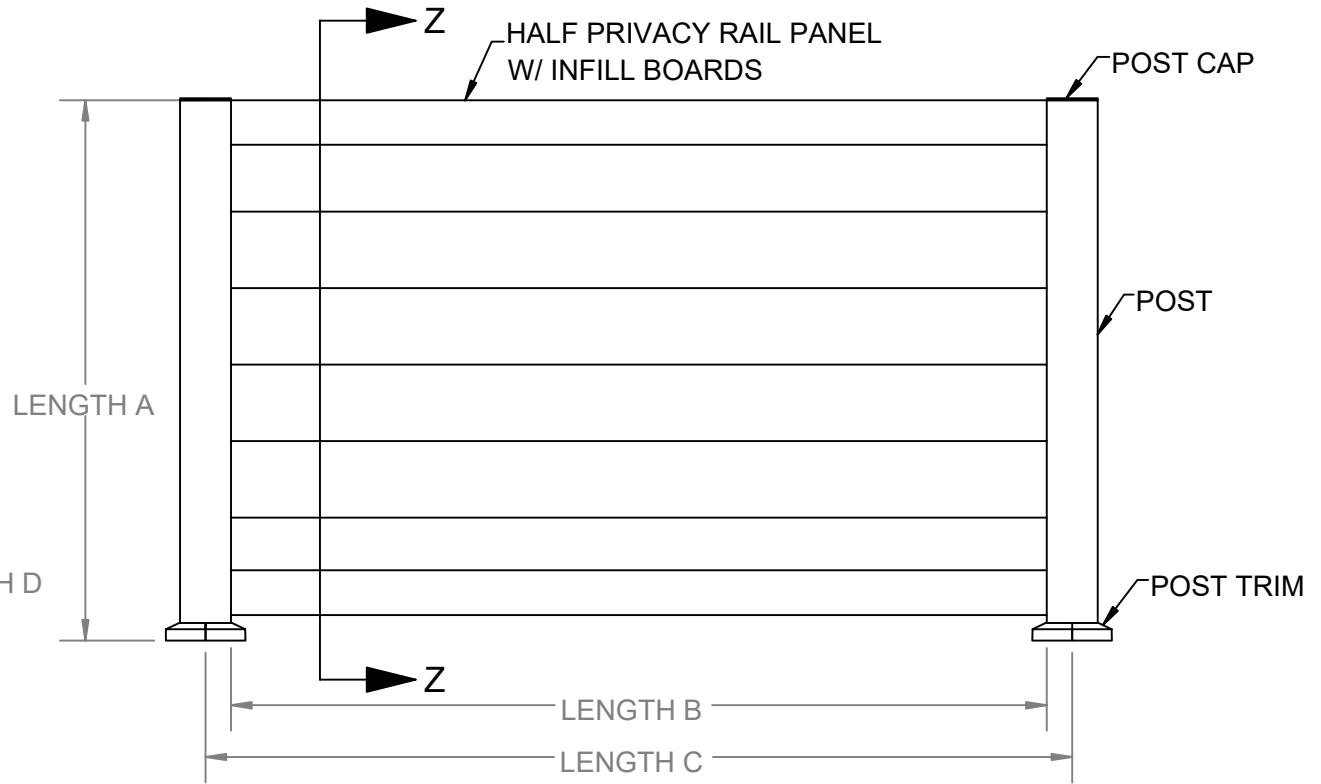
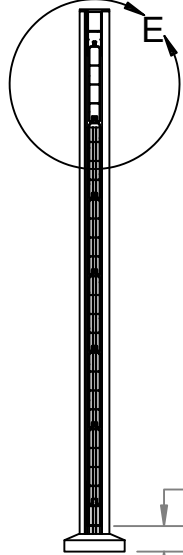
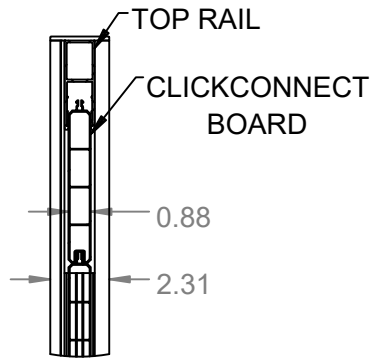


PRIVACY RAIL DETAILS



NOTE:
 (A) FINISHED RAIL HEIGHT = 42", 72"
 (B) PANEL LENGTH = 66.88"
 (C) MAX IRC AND IBC SPANS = 67.96"X42", 67.96"X72"
 (D) BOTTOM HEIGHT = 2"

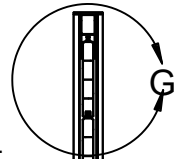
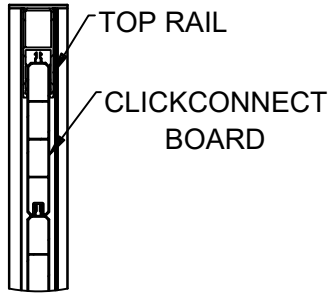


DRAWN: RP		DATE: 10/10/2018	APPROVED:
DESCRIPTION: PRIVACY RAILING			
SHEET 1 OF 5	REVISION	PART NUMBER	
SCALE 1:16	1	N/A	
WEIGHT: 58.62			

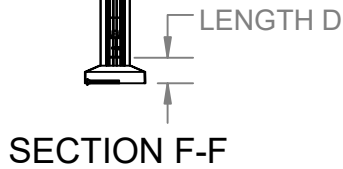
1	CMJ	3/11/2022	N/A	ADDED DSP PRIVACY RAIL DETAIL SHEET
REV BY		DATE	PCR	DESCRIPTION

THE INFORMATION CONTAINED IN THIS DRAWING IS PROTECTED BY COPYRIGHT AND PATENT LAWS OF THE UNITED STATES AND OTHER COUNTRIES. ANY REPRODUCTION IN PART OR AS A WHOLE WITHOUT WRITTEN PERMISSION IS PROHIBITED.

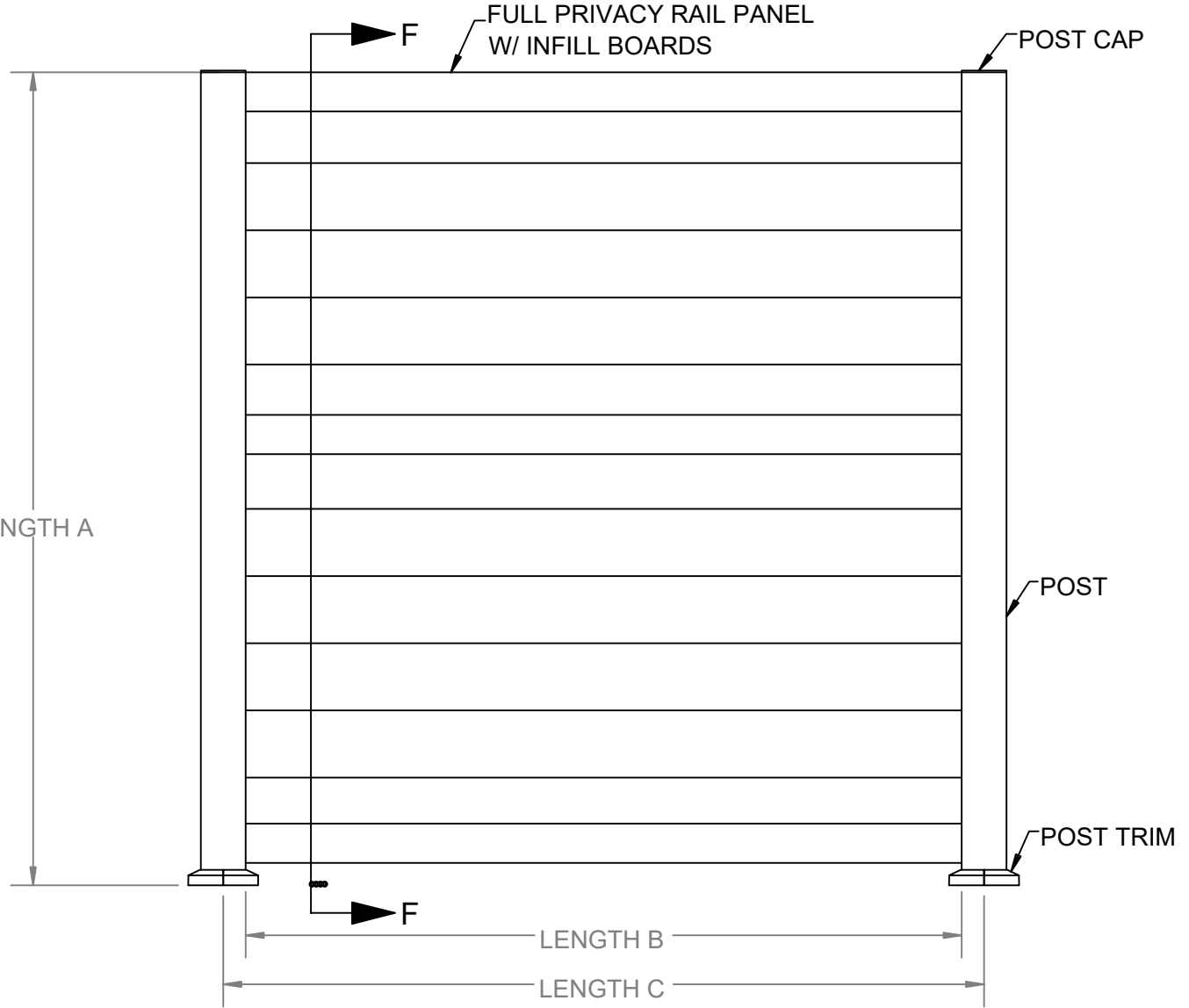
PRIVACY RAIL DETAILS



DETAIL G
SCALE 1 : 8



LENGTH A



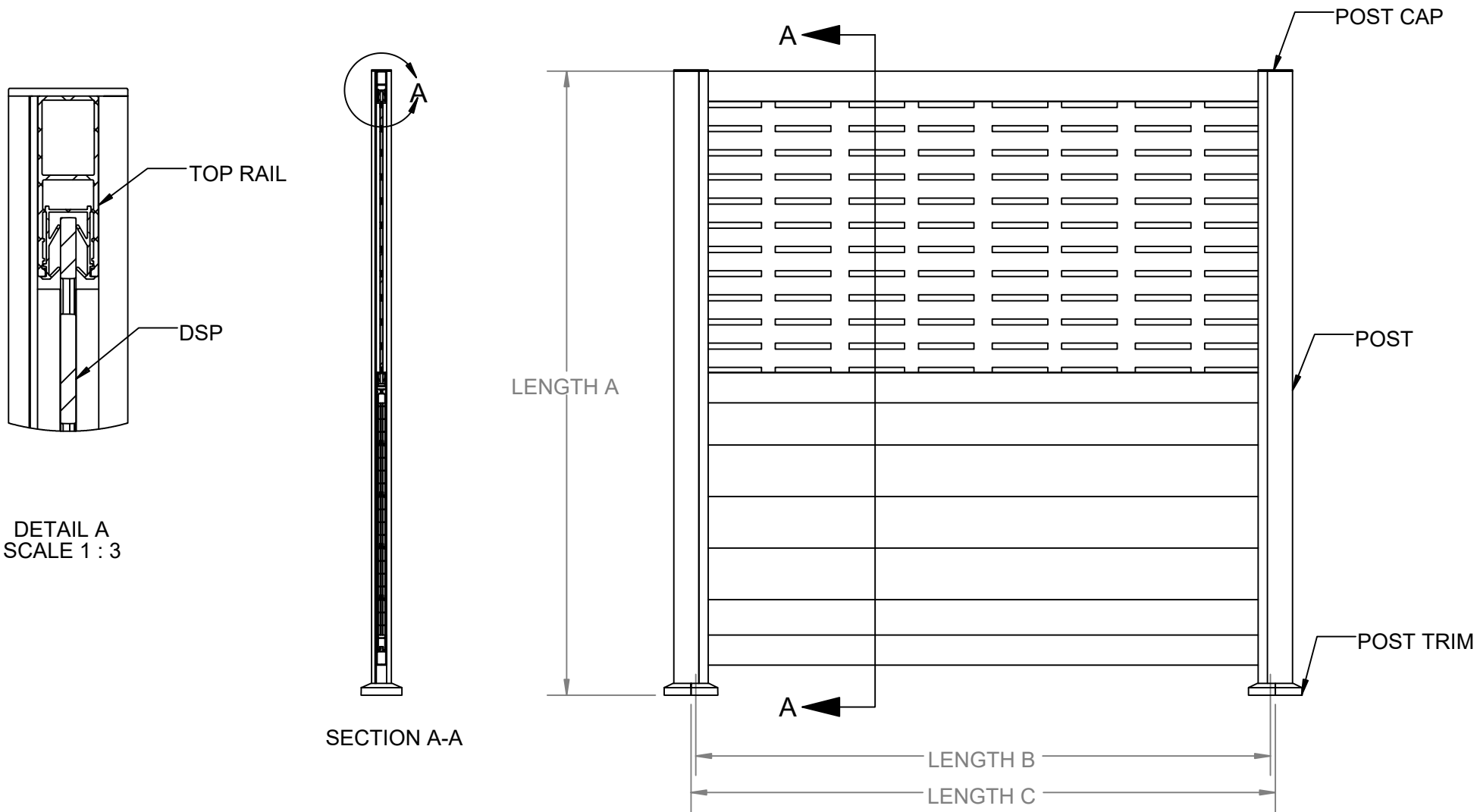
- NOTE:
 (A) FINISHED RAIL HEIGHT = 42", 72"
 (B) PANEL LENGTH = 66.88"
 (C) MAX IRC AND IBC SPANS = 67.96"X42", 67.96"X72"
 (D) BOTTOM HEIGHT = 2"

THE INFORMATION CONTAINED IN THIS DRAWING IS PROTECTED BY COPYRIGHT AND PATENT LAWS OF THE UNITED STATES AND OTHER COUNTRIES. ANY REPRODUCTION IN PART OR AS A WHOLE WITHOUT WRITTEN PERMISSION IS PROHIBITED.



DRAWN: RP	DATE: 10/10/2018	APPROVED:
DESCRIPTION: PRIVACY RAILING		
SHEET 2 OF 5	REVISION	PART NUMBER
SCALE 1:16	1	N/A
WEIGHT: 84.53		

DSP PRIVACY RAIL DETAIL



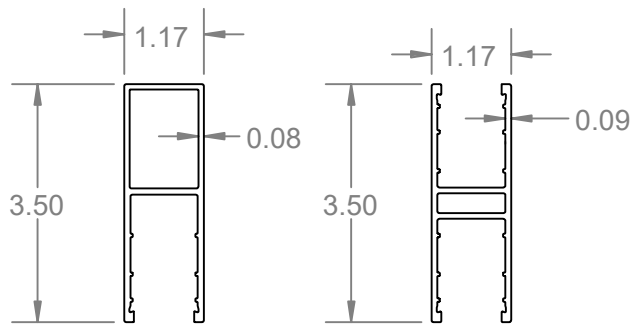
DETAIL A
SCALE 1 : 3

- NOTES:
- (A) FINISHED RAIL HEIGHT = 72"
 - (B) PANEL LENGTH = 66.88"
 - (C) MAX IRC AND IBC SPANS = 67.96" x 72"
 - (D) BOTTOM HEIGHT = 2"

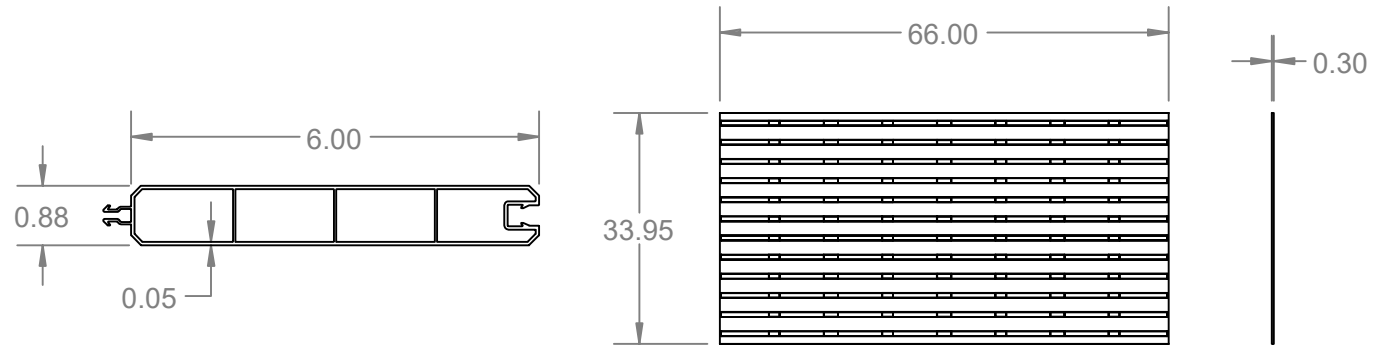
THE INFORMATION CONTAINED IN THIS DRAWING IS PROTECTED BY COPYRIGHT AND PATENT LAWS OF THE UNITED STATES AND OTHER COUNTRIES. ANY REPRODUCTION IN PART OR AS A WHOLE WITHOUT WRITTEN PERMISSION IS PROHIBITED.

DRAWN: RP	DATE: 10/10/2018	APPROVED:
DESCRIPTION: DSP PRIVACY RAIL		
SHEET 3 OF 5	REVISION	PART NUMBER
SCALE 1:18	1	N/A
WEIGHT: 73.74		

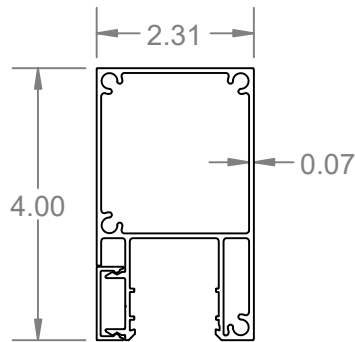
RAIL



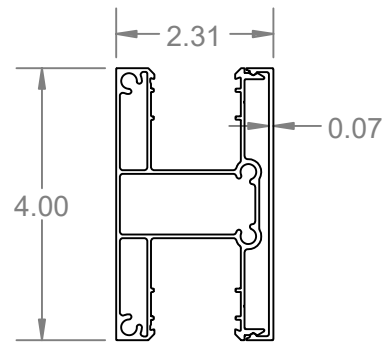
INFILL BOARD/DSP TOP



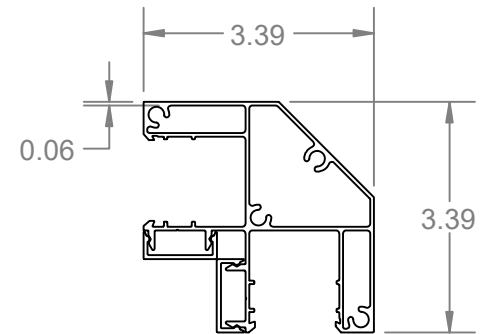
POST



PRIVACY RAIL END POST



PRIVACY RAIL MID POST



PRIVACY RAIL CORNER POST



DRAWN: RP DATE: 10/10/2018 APPROVED:

DESCRIPTION: PRIVACY RAIL PROFILE

SHEET 4 OF 5
SCALE 1:3
WEIGHT: 5.64

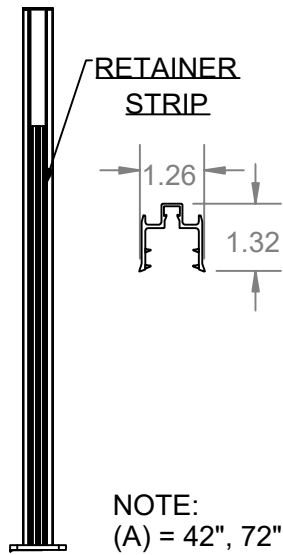
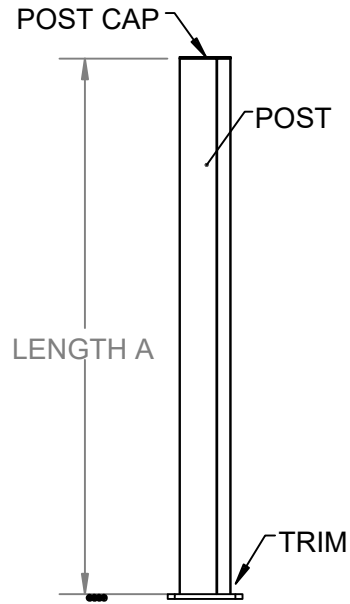
REVISION PART NUMBER



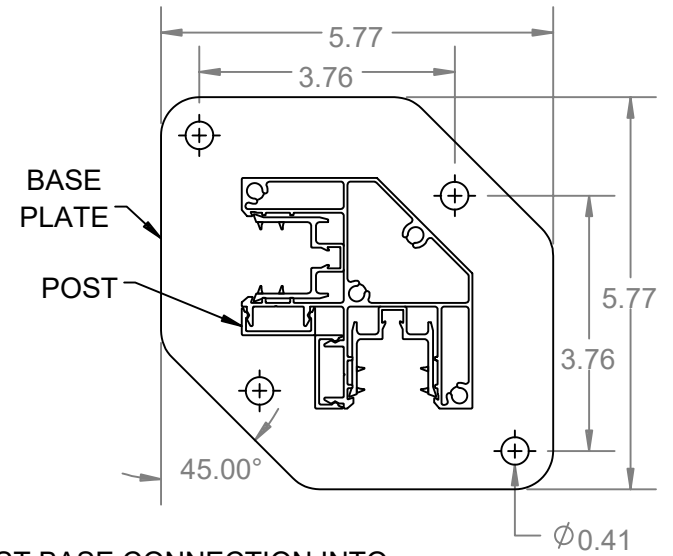
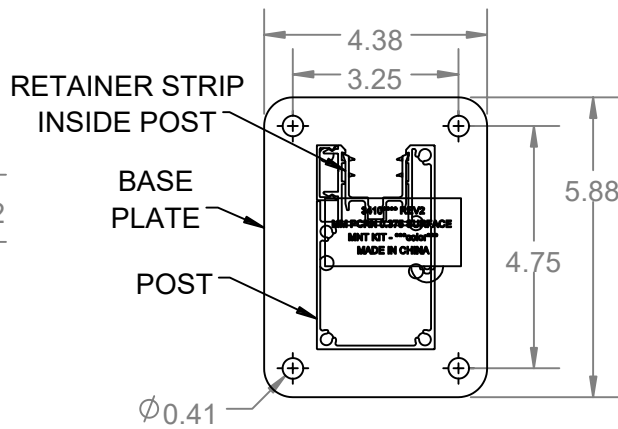
N/A

THE INFORMATION CONTAINED IN THIS DRAWING IS PROTECTED BY COPYRIGHT AND PATENT LAWS OF THE UNITED STATES AND OTHER COUNTRIES. ANY REPRODUCTION IN PART OR AS A WHOLE WITHOUT WRITTEN PERMISSION IS PROHIBITED.

PRIVACY RAIL POST AND SURFACE MOUNT DETAILS

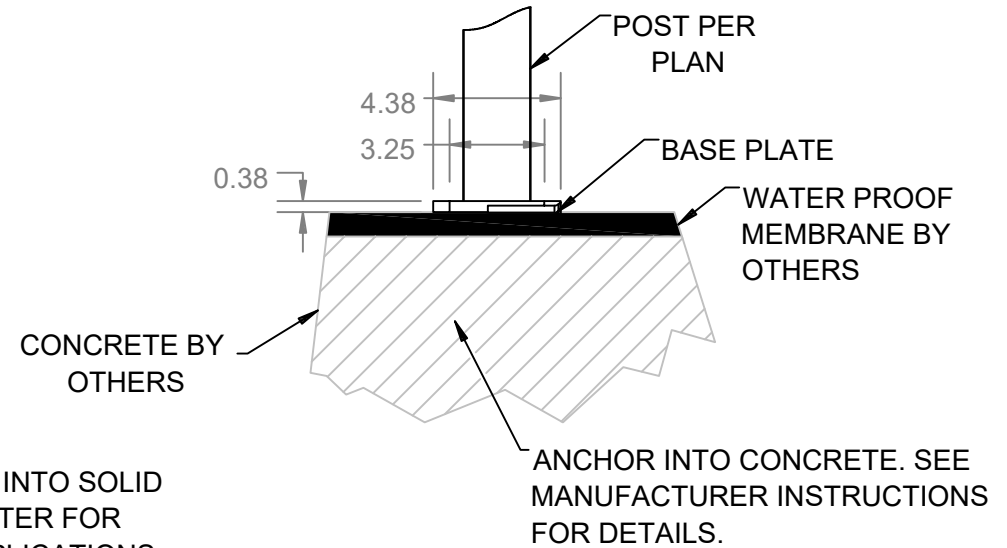
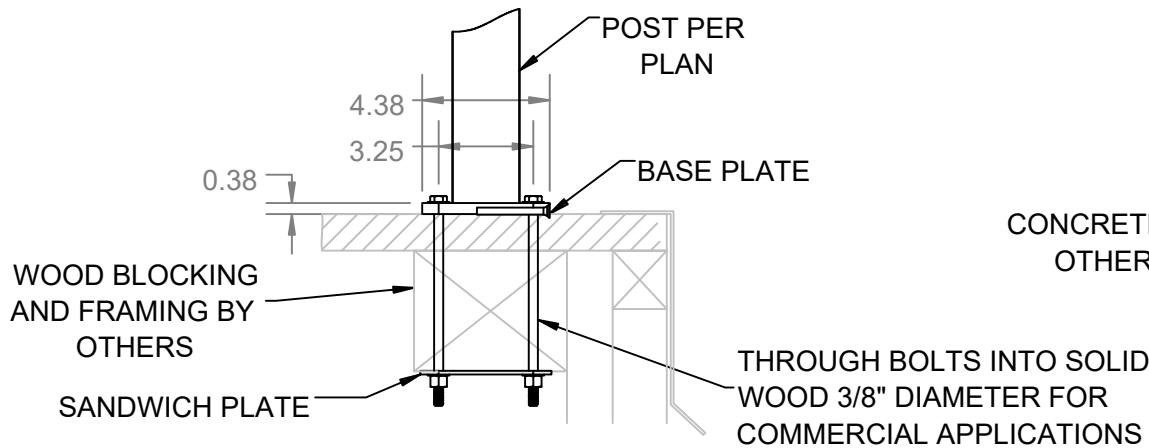


NOTE:
(A) = 42", 72"



POST BASE CONNECTION INTO CONCRETE WITH WEDGE ANCHORS

POST BASE CONNECTION INTO WOOD WITH THROUGH BOLTS



NOTE:

1. COMMERCIAL APPLICATIONS ARE ALWAYS BOLTED, USE 3/8" DIAMETER A307 THROUGH BOLTS INTO SOLID WOOD BLOCKING.
2. WOOD BLOCKING BY OTHERS.
3. BLOCKING MUST BE DESIGNED TO WITHSTAND PROPER LOADING.

THE INFORMATION CONTAINED IN THIS DRAWING IS PROTECTED BY COPYRIGHT AND PATENT LAWS OF THE UNITED STATES AND OTHER COUNTRIES. ANY REPRODUCTION IN PART OR AS A WHOLE WITHOUT WRITTEN PERMISSION IS PROHIBITED.

rdi RAILING		
DRAWN: RP	DATE: 10/10/2018	APPROVED:
DESCRIPTION: PRIVACY RAIL POST AND SURFACE MOUNT DETAIL		
SHEET 5 OF 5	REVISION	PART NUMBER
SCALE 1:16	1	N/A
WEIGHT: 58.62		